

2004 SERIES - "SPIRAL RIB" THRU - HOLE

MOLDED-IN OR POTTED-IN INSERT, FLUSH MOUNTED BOTH SIDES

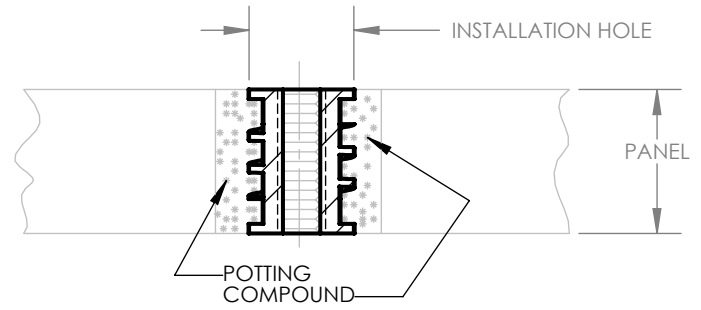
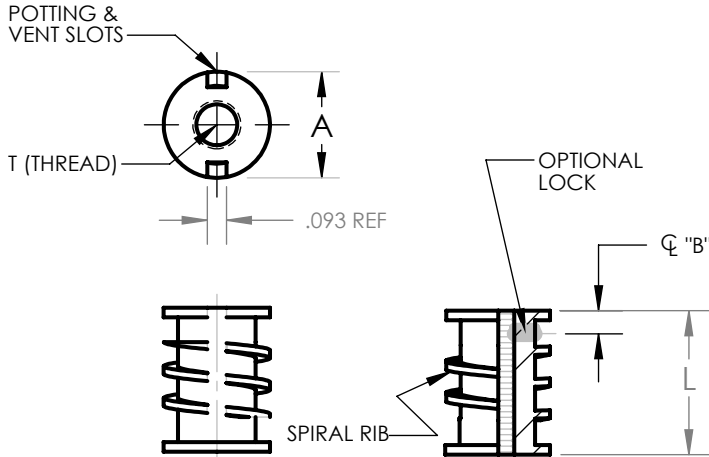


TABLE I

CODE NO.	T THREAD	A DIA ±.010	B SELF-LK ±.06	INSTR HOLE SIZE +.010/- .000
632	6-32 UNJC	.490	.12	.500
832	8-32 UNJC	.490	.12	.500
1032	10-32 UNJF	.520	.12	.530
420	1/4-20 UNJC	.583	.16	.593
428	1/4-28 UNJF	.583	.16	.593
518	5/16-18 UNJC	.646	.20	.656
524	5/16-24 UNJF	.646	.20	.656
616	3/8-16 UNJC	.708	.20	.718
624	3/8-24 UNJF	.708	.20	.718
714	7/16-14 UNJC	.771	.20	.781
720	7/16-20 UNJF	.771	.20	.781
813	1/2-13 UNJC	.833	.20	.843
820	1/2-20 UNJF	.833	.20	.843

TABLE II

DASH NO.	L±.03 LENGTH
-5	.312
-6	.375
-7	.437
-8	.500
-10	.625
-12	.750
-14	.875
-16	1.000
-18	1.125
-20	1.250
-22	1.375
-24	1.500

EXAMPLE PART NUMBERING SYSTEM:

2004 - 420 - L - 12 - SS

SERIES PREFIX

THREAD CODE (TABLE I)

ADD LK FOR SELF-LOCK (NYLON)
ADD L FOR SELF-LOCK (METALLIC CRIMP)

LENGTH DASH NUMBER (TABLE II)

MATERIAL:

A = ALUMINUM ALLOY (CHEM FILM FINISH)
C = CARBON STEEL (CAD PLATE FINISH)
Z = CARBON STEEL (ZINC PLATE)
SS = STAINLESS STEEL (PLAIN FINISH)
SP = STAINLESS STEEL (PASSIVATED)

NOTE:

1. ALL DIMENSIONS ARE IN INCHES EXCEPT THREAD SIZE.
2. FOR PARTS .625 & SHORTER THE OD HAS CIRCULAR RIBS IN LIEU OF SPIRAL RIBS.