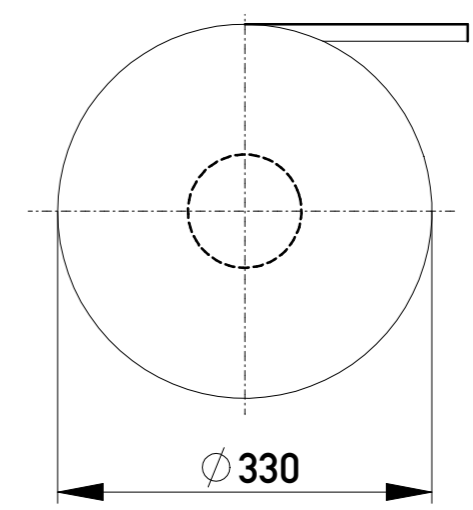
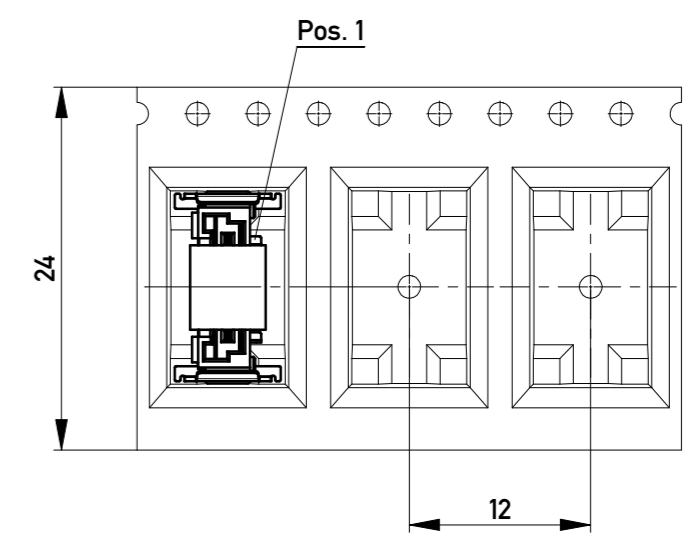


Verpackt im Gurt nach DIN IEC 60286-3
 Tape on Reel Packaging according to DIN IEC 60286-3
 Verpackungseinheit: 650 Stück
 Packaging unit: 650 pcs



Abspulrichtung - Reel off Direction



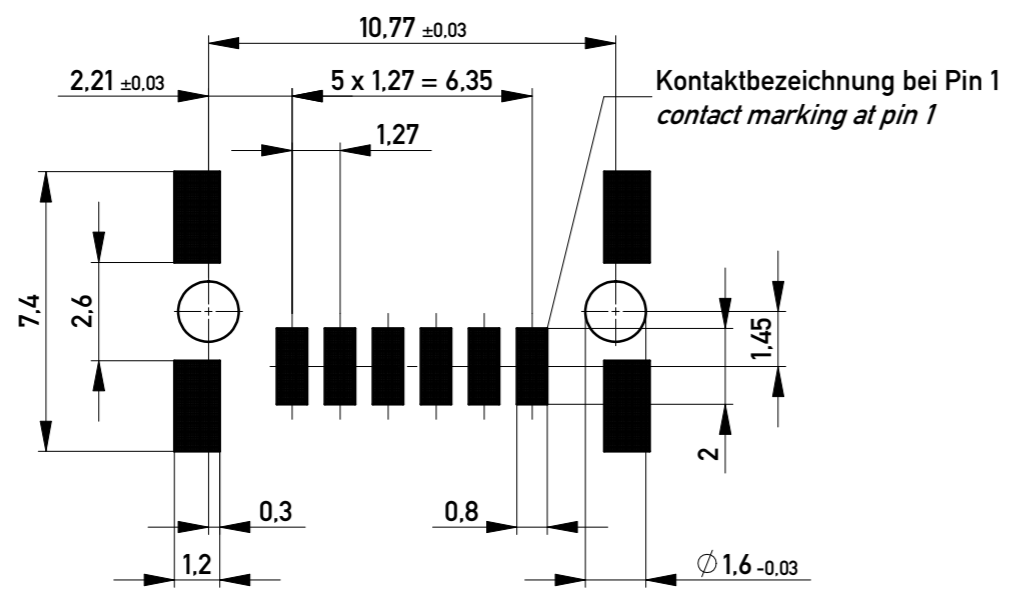
Anforderungsstufe 1
 Performance Level 1

Kontaktbereich vergoldet
 Mating Area gold plating

Anschlussbereich verzinkt 4-6 μm
 Terminal Area 4-6 μm tin plating

Koplanarität der Anschlüsse ≤ 0.1 mm
 Coplanarity Area of Termination ≤ 0.1 mm

Leiterplatten-Layout für SMT
 PCB-Layout for SMT



Für die Anforderung nach PG 9 der LV214
 (Koshiri-Sicherheit)
 For the requirement of the LV214 PG 9
 (Koshiri-security)

Information:	Tolerances	 All Dimensions in mm	Scale	5:1
			Designation	M 1,27 SRC P, 6-polig KS M 1,27 SRC P, 6-pin KS
All rights reserved. Only for Information. To ensure that this is the latest version of this drawing, please contact one of the ERNI companies before using.	Subject to modification without prior notice. Drawing will not be updated.	 www.ERNI.com	101104480001	
			b Index	25.02.2016 Date

Copyright by ERNI Production GmbH & Co. KG
 Proprietary notice pursuant to ISO 10306 to be observed.