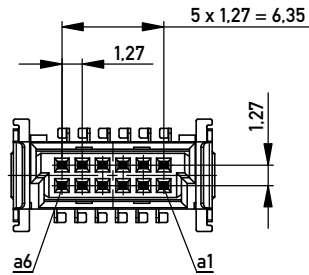
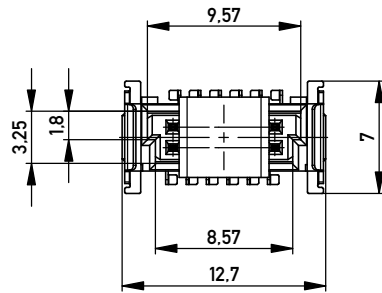
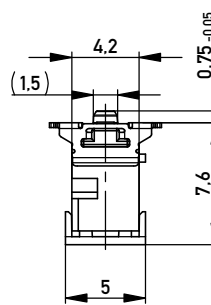
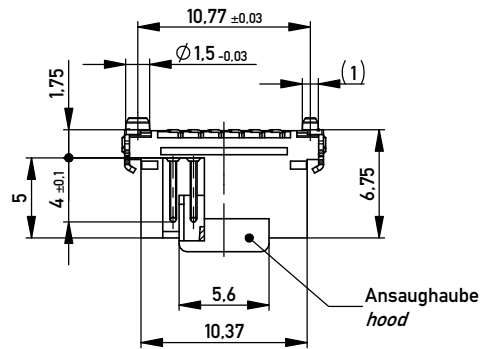
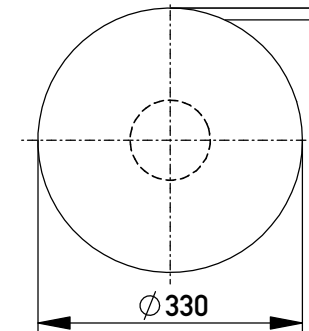


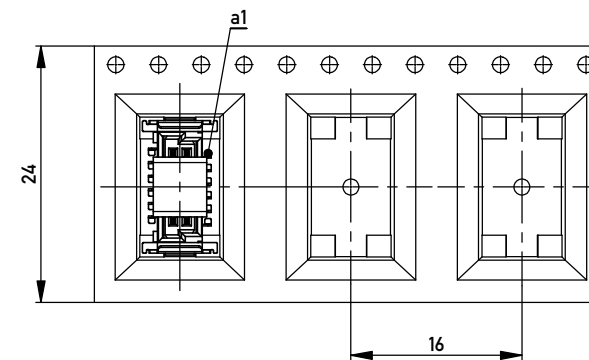
ohne Ansaughaube - *without hood*



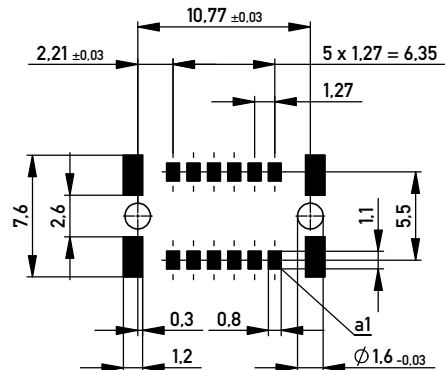
Verpackt in Gurtverpackung  
*Tape on Reel Packaging*  
 Verpackungseinheit: 280 Stück  
*Packaging unit: 280 pcs*



Abspulrichtung - *Reel off Direction*



Leiterplatten-Layout Vorschlag für SMT  
*PCB-Layout Proposal for SMT*



Anforderungsstufe 1  
*Performance Level 1*

Kontaktbereich vergoldet  
*Mating Area gold plating*

Anschlussbereich verzinkt 4-6 µm  
*Terminal Area 4-6 µm tin plating*

Koplanarität der Anschlüsse ≤ 0,1 mm  
*Coplanarity Area of Termination ≤ 0,1 mm*

BA 7-13 - 8mm Bauhöhe  
*type 7-13 - Low Profile*

Information:		Tolerances	 All Dimensions in mm	Scale 3:1
All rights reserved. Only for Information. To ensure that this is the latest version of this drawing, please contact one of the ERNI companies before using.		Subject to modification without prior notice. Drawing will not be updated.		Designation <b>Messerl. SMC-Q 12-SMD-BA7-13</b> <i>Male SMC-Q 12-SMD-type7-13</i>
www.ERNI.com		<b>100201240001</b>		K A3
d	23.09.2013	Class		SMCQ
Index	Date			

Copyright by ERNI GmbH. Proprietary notice pursuant to ISO 16018 to be observed.