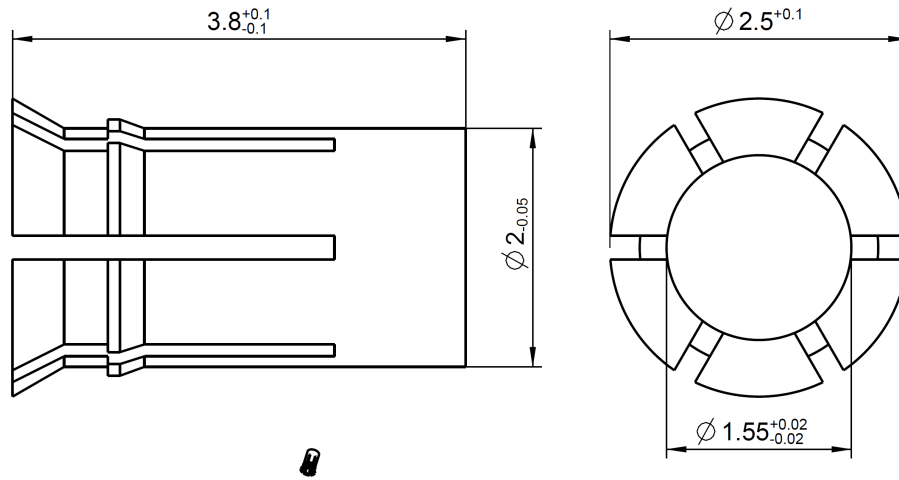


RPC-7

Center contact

07P121-000/21



All dimensions are in mm; tolerances according to ISO 2768 m-H

Interface

According to IEC 457-2

Documents

User Manual 07W031-000/91

Material and plating

Connector parts

Center contact

Material

CuBe

Plating

AuroDur®, gold plated

Mechanical data

Mating cycles ≥ 5000

Environmental data

Temperature range -40°C to +85°C
 Thermal shock MIL-STD-202, Method 107, Condition B
 Corrosion MIL-STD-202, Method 101, Condition B
 Vibration MIL-STD-202, Method 204, Condition D
 Shock MIL-STD-202, Method 213, Condition I
 Moisture resistance MIL-STD-202, Method 106
 RoHS compliant

Tooling

Collet Extractor 07W031-000

Weight

0.04 g/pce

While the information has been carefully compiled to the best of our knowledge, nothing is intended as representation or warranty on our part and no statement herein shall be construed as recommendation to infringe existing patents. In the effort to improve our products, we reserve the right to make changes judged to be necessary.

Draft	Date	Approved	Date	Rev.	Engineering change number	Name	Date
Armin Maiwalder	06.10.06	Herbert Babinger	28.11.16	f00	16-1934	M.Ruf	28.11.16

Rosenberger Hochfrequenztechnik GmbH & Co. KG P.O.Box 1260 D-84526 Tittmoning Germany www.rosenberger.de				Tel. : +49 8684 18-0 Email : info@rosenberger.de			Page 1 / 1
--	--	--	--	--	--	--	---------------

Dieses Dokument ist urheberrechtlich geschutzt • This document is protected by copyright • Rosenberger Hochfrequenztechnik GmbH & Co. KG

RF_35/05.10/6.1