

# KR Electronics, Inc.

## General Description

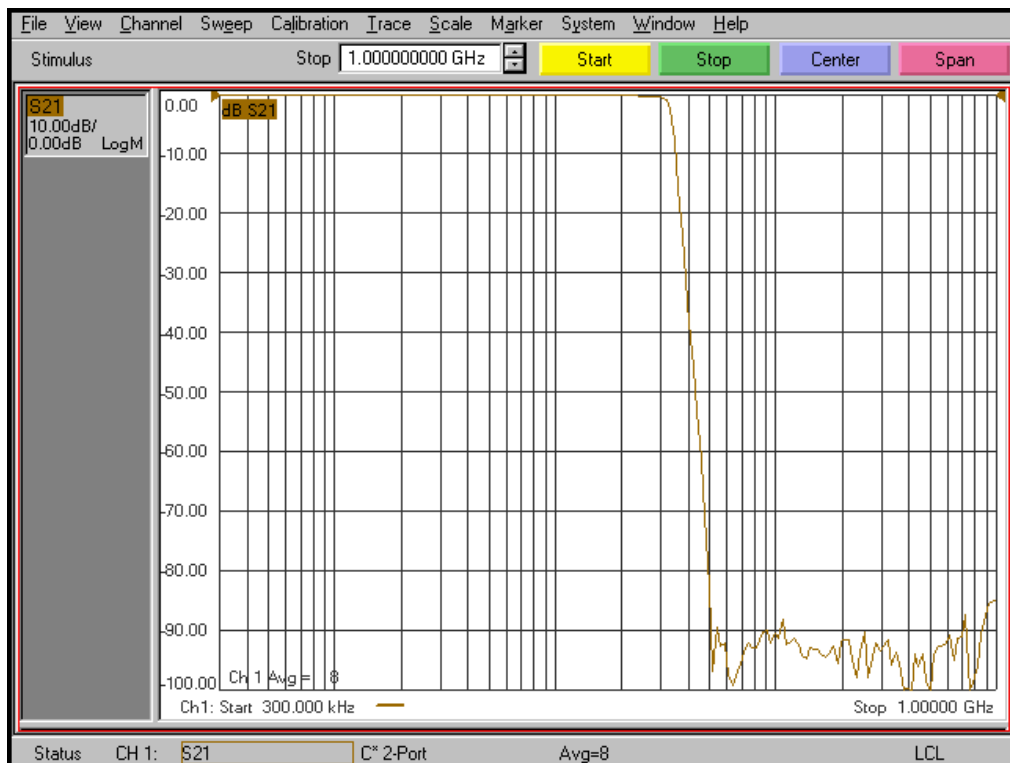
KR Electronics part number 3254-32-LP-SMA is a 32 MHz low-pass filter. Other cutoff frequencies are available. Please consult the factory.

## Features

- 32 MHz Lowpass Filter
- < 1 dB typical at 32 MHz
- 60 dB min at 50 MHz
- 50  $\Omega$  Source and Load
- Other frequencies available

## Typical Performance

### Overall Response (10 dB/div)

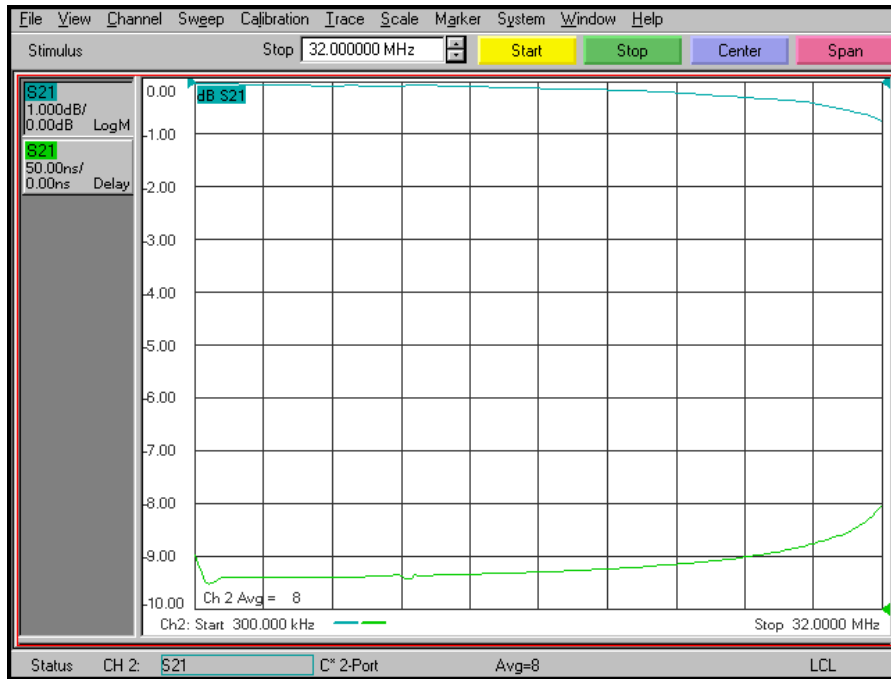


KR Electronics, Inc.  
91 Avenel Street  
Avenel, NJ 07001

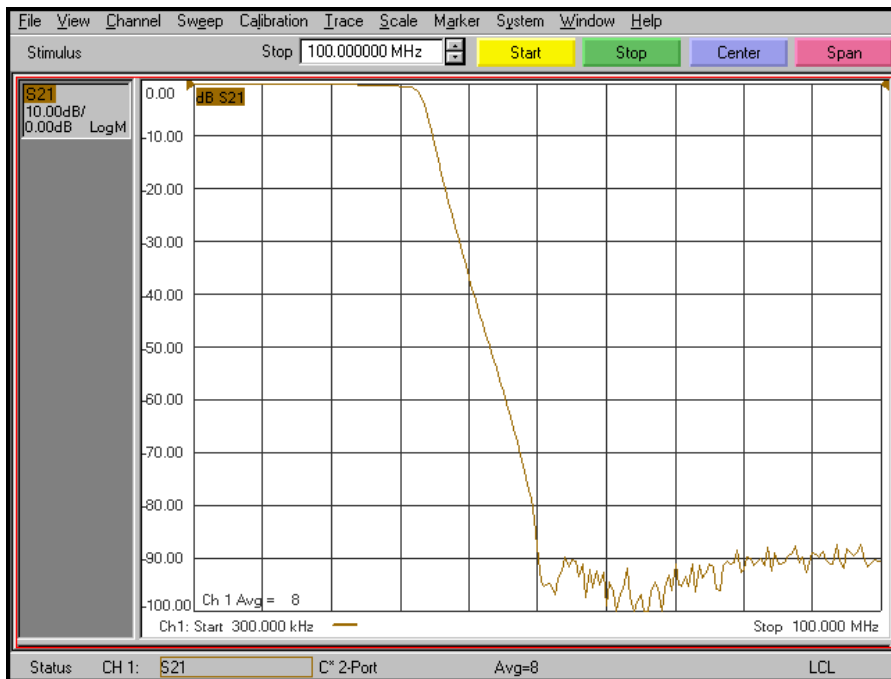
Web [www.krfilters.com](http://www.krfilters.com)  
Email [sales@krfilters.com](mailto:sales@krfilters.com)  
Phone (732) 636-1900  
Fax (732) 636-1982

# KR Electronics 3254-32-LP-SMA

## Passband Amplitude & Group Delay (1 dB/div & 50 nsec/div)



## Overall Response (10 dB/div)



KR Electronics, Inc.  
91 Avenel Street  
Avenel, NJ 07001

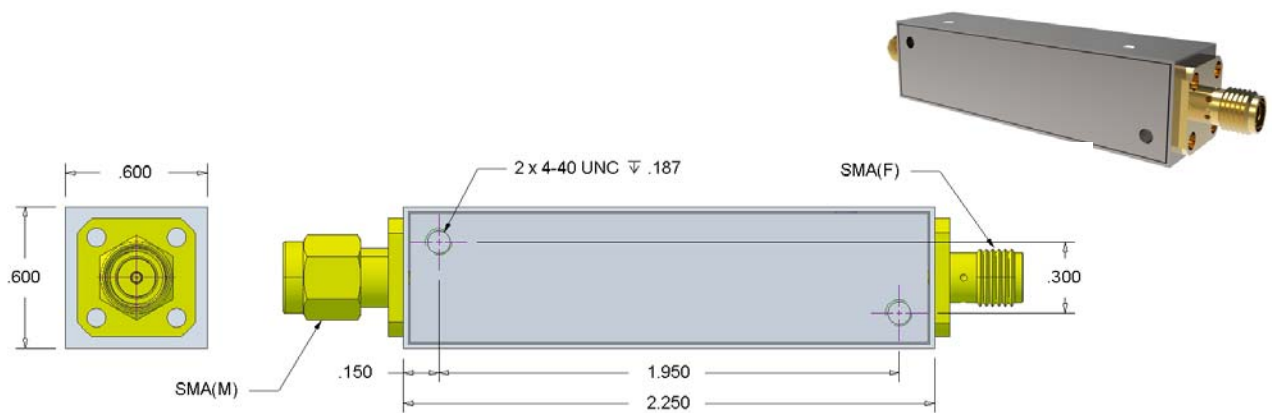
Web [www.krfilters.com](http://www.krfilters.com)  
Email [sales@krfilters.com](mailto:sales@krfilters.com)  
Phone (732) 636-1900  
Fax (732) 636-1982

# KR Electronics 3254-32-LP-SMA

## Specifications

Parameter	Specification	
Filter type	Lowpass	
Attenuation at 32 MHz	1.5 dB max	< 1 dB typical
Attenuation 50 MHz to 1000 MHz	60 dB min	> 80 dB typical
Source and Load	50 $\Omega$	

## Physical Dimensions



**Notes:**

1. Dimensions in inches
2. Rectangular case
3. Also available in surface mount