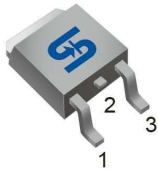
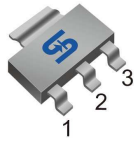




**TO-252 (DPAK)**

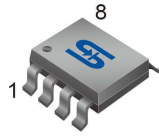


**SOT-223**



**Pin Definition:**  
 1. Fixed / Adj  
 2. Output (Tab)  
 3. Input

**SOP-8**



**Pin Definition:**  
 1. Fixed / Adj      8. N/C  
 2. Output            7. Output  
 3. Output            6. Output  
 4. Input              5. N/C

**General Description**

TS1117B are high performance positive voltage regulators are designed for use in applications requiring low dropout performance at full rated current, Additionally, TS1117B provides excellent regulation over variations due to changes in line, load and temperature. Outstanding features include low dropout performance at rated current, fast transient response, internal current limiting and thermal shutdown protection of the output device. TS1117B are three terminal regulators with fixed and adjustable voltage options available in popular packages.

**Features**

- Low Dropout Performance 1.5V max.
- Full Current Rating Over Line and Temperature
- Fast Transient Response
- Built-in thermal shutdown
- Output Current Limit
- Line Regulation Typical 0.2%
- Load Regulation Typical 0.05%
- Low-ESR Ceramic Capacitor (MLCC) Required for Stability.
- Good Ripple Rejection

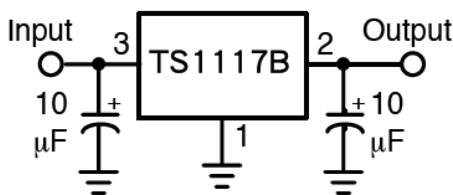
**Ordering Information**

Part No.	Package	Packing
TS1117BCPxx ROG	TO-252	2.5kpcs / 13" Reel
TS1117BCWxx RPG	SOT-223	2.5kpcs / 13" Reel
TS1117BCSxx RLG	SOP-8	2.5kpcs / 13" Reel

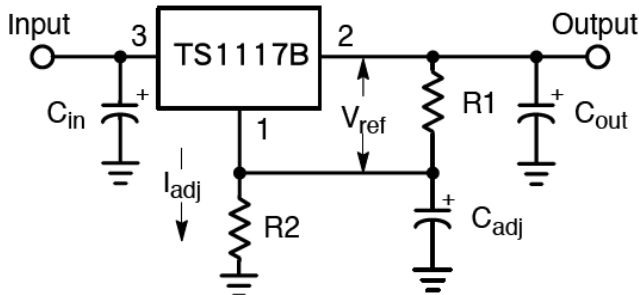
Note: Refer to detail ordering information table.

"G" denotes Halogen Free Products

**Typical Application Circuit**



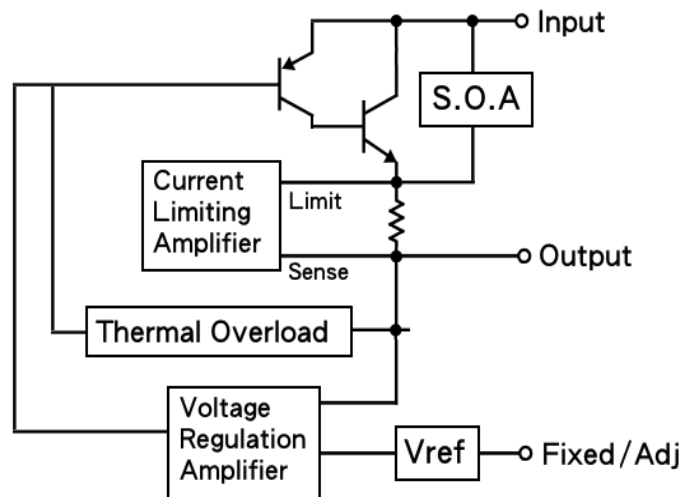
**Fixed Output Voltage Version**



$$V_{OUT} = V_{REF}(1+R2/R1) + I_{adj} R2$$

**Adjustable Output Voltage Version**

**Block Diagram**



### Absolute Maximum Ratings (Note 1)

Parameter	Symbol	Limit	Unit
Input Supply Voltage	$V_{IN}$	15	V
Recommend Operation Input Supply Voltage	$V_{IN}$ (Opr. Typ.)	12	V
Power Dissipation (Note 2)	$P_D$	Internal limited	
Thermal Resistance Junction to Ambient	TO-252	105	°C/W
	SOT-223	130	
	SOP-8	160	
Operating Temperature Range	$T_{OPER}$	-40 ~ +125	°C
Junction Temperature Range	$T_J$	+150	
Storage Temperature Range	$T_{STG}$	-65 ~ +150	
Lead Soldering Temperature (260°C)	TO-252 / SOT-223	5	s
	SOP-8	2	

### Electrical Specification ( $T_A=25^\circ\text{C}$ , unless otherwise specified.)

Parameter	Conditions	Min	Typ	Max	Unit
Reference Voltage	$V_{IN} = 2.75, I_o=1A$	1.225	1.25	1.275	V
Output Voltage (Note 4)	$V_{IN} = 2.7V\sim 12V, I_o=1A$	1.176	1.2	1.224	V
	$V_{IN} = 3V\sim 12V, I_o=1A$	1.470	1.5	1.530	V
	$V_{IN} = 3.3V\sim 12V, I_o=1A$	1.764	1.8	1.836	V
	$V_{IN} = 4V\sim 12V, I_o=1A$	2.450	2.5	2.550	V
	$V_{IN} = 4.8V\sim 12V, I_o=1A$	3.235	3.3	3.366	V
	$V_{IN} = 6.5V\sim 12V, I_o=1A$	4.900	5.0	5.100	V
	Line Regulation	$V_o+1.5V \leq V_{IN} \leq 12V, I_o=10mA$	--	0.2	0.5
Load Regulation (Note 1,2)	$V_{IN} = V_{OUT}+1.5V, I_o = 10mA\sim 1A$	--	0.05	1.0	%
Dropout Voltage	$I_o=1A, \Delta V_{OUT} = 1\% V_{OUT}$	--	1.3	1.5	V
Quiescent Current	$V_{IN} = 5V$	--	5	10	mA
Adjustable Pin Current		--	90	--	μA
Output Current Limit	$V_{IN} - V_{OUT} = 1.5V$	1.1	--	--	A
Temperature Stability	$I_o=10mA,$	--	0.5	--	%
Ripple Rejection	$F=120Hz, I_o=1A, C_{OUT}=25\mu F, V_{IN}=V_{out}+3V$	--	60	70	dB

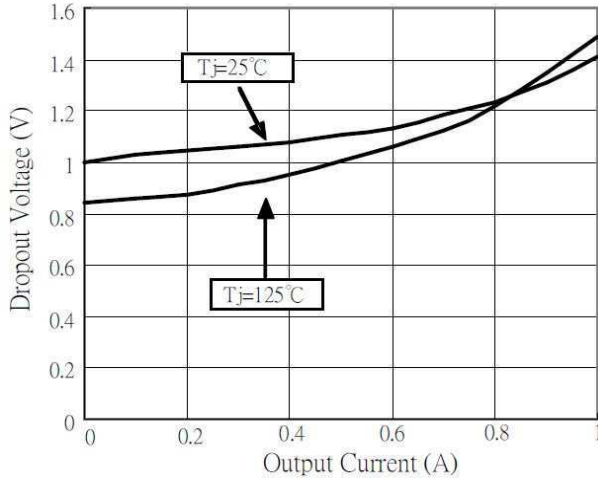
Note 1: See thermal regulation specification for changes in output voltage due to heating effects. Line and load regulation are measured at a constant junction temperature by low duty cycle pulse testing. Load regulation is measured at the output lead = 1/18" from the package.

Note 2: Line and load regulation are guaranteed up to the maximum power dissipation of 15W. Power dissipation is determined by the input / output voltage difference and the output current. Guaranteed maximum power dissipation will not be available over the full input / output voltage range.

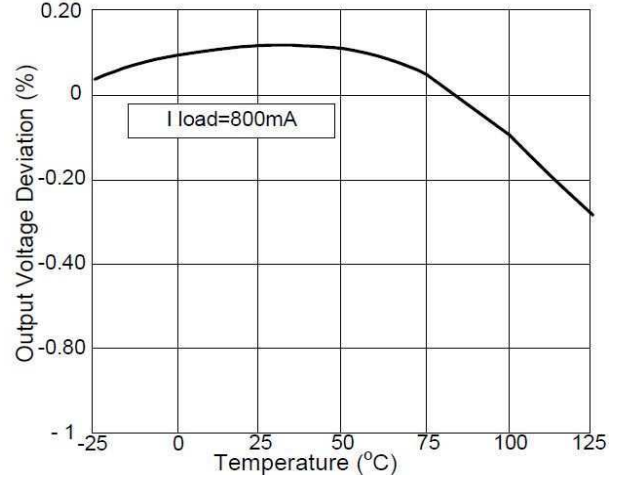
Note 3: Quiescent current is defined as the minimum output current required to maintain the regulation.

Note 4: The Output Capacitor does not have a theoretical upper limit and increasing its value will increase stability  $C_{OUT}=100\mu F$  or more is typical for high current regulator design.

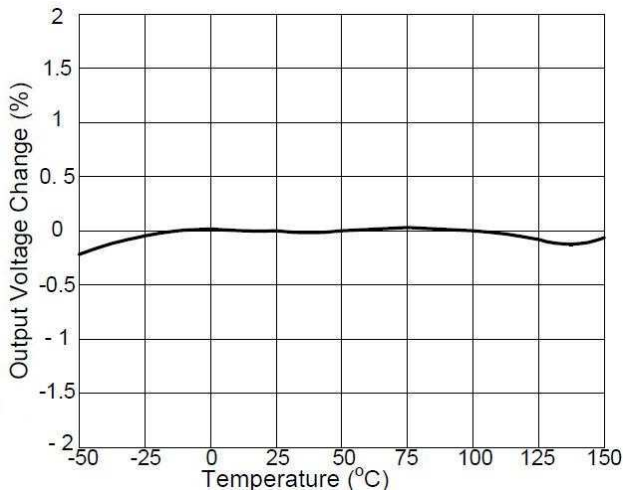
**Electrical Characteristics Curve**



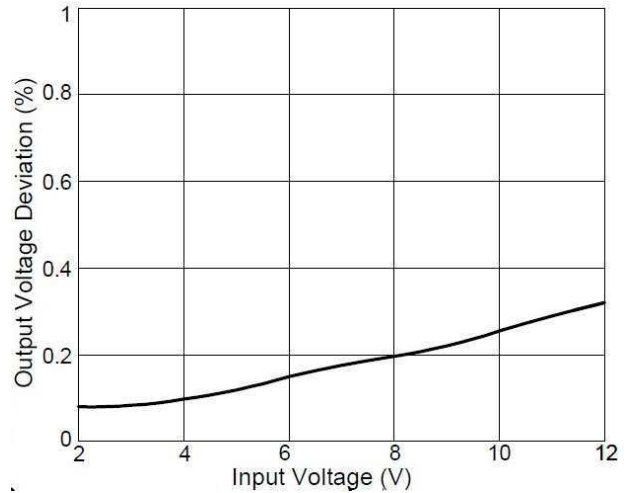
**Figure 1. Vdrop vs. Output Current**



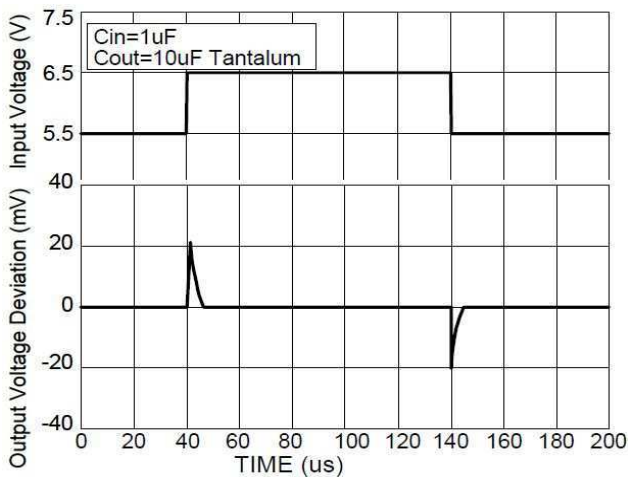
**Figure 2. Load Regulation vs. Temperature**



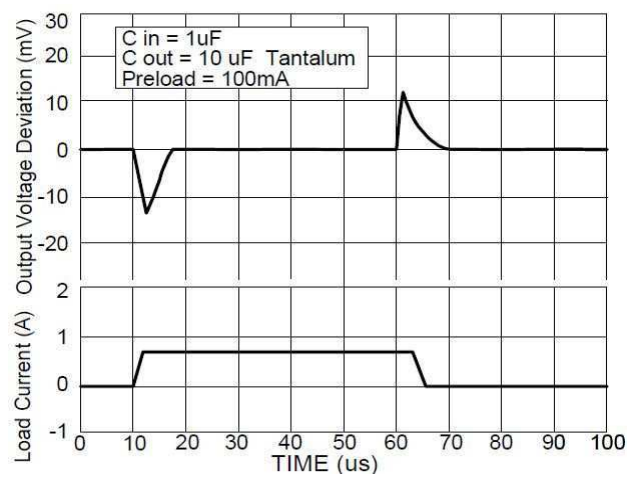
**Figure 3. Vout Change vs. Temperature**



**Figure 4. Vout Deviation vs. Temperature**



**Figure 5. Line Transient Response**



**Figure 6. Load Transient Response**



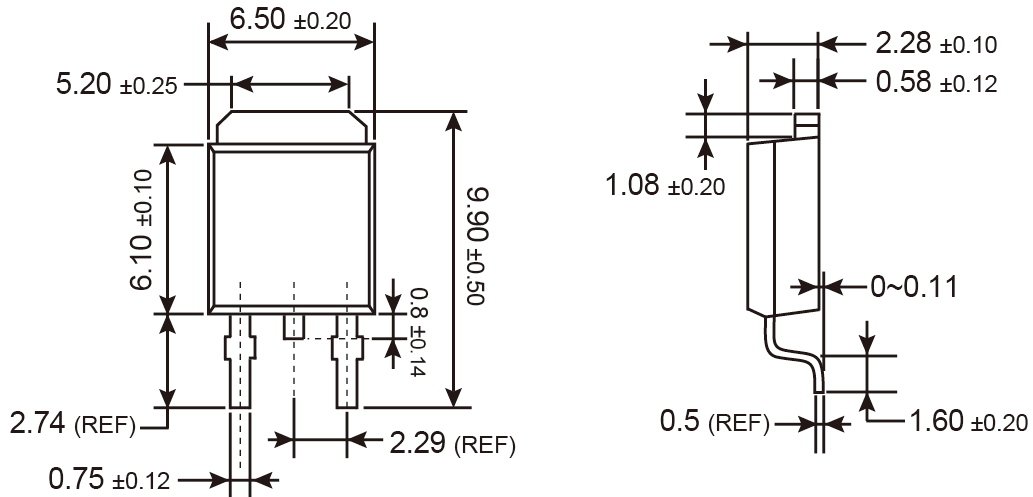
### Ordering information

Voltage	TO-252	SOT-223	SOP-8
ADJ	TS1117BCP ROG	TS1117BCW RPG	
1.2V		TS1117BCW12 RPG	
1.8V		TS1117BCW18 RPG	
2.5V		TS1117BCW25 RPG	
3.3V	TS1117BCP33 ROG	TS1117BCW33 RPG	TS1117BCS33 RLG
5V	TS1117BCP50 ROG	TS1117BCW50 RPG	

### Packing code information

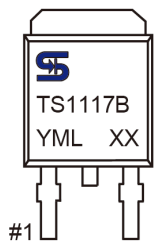
Packing	2.5kpcs / 13" Reel	2.5kpcs / 13" Reel	2.5kpcs / 13" Reel
---------	--------------------	--------------------	--------------------

**TO-252 Mechanical Drawing**



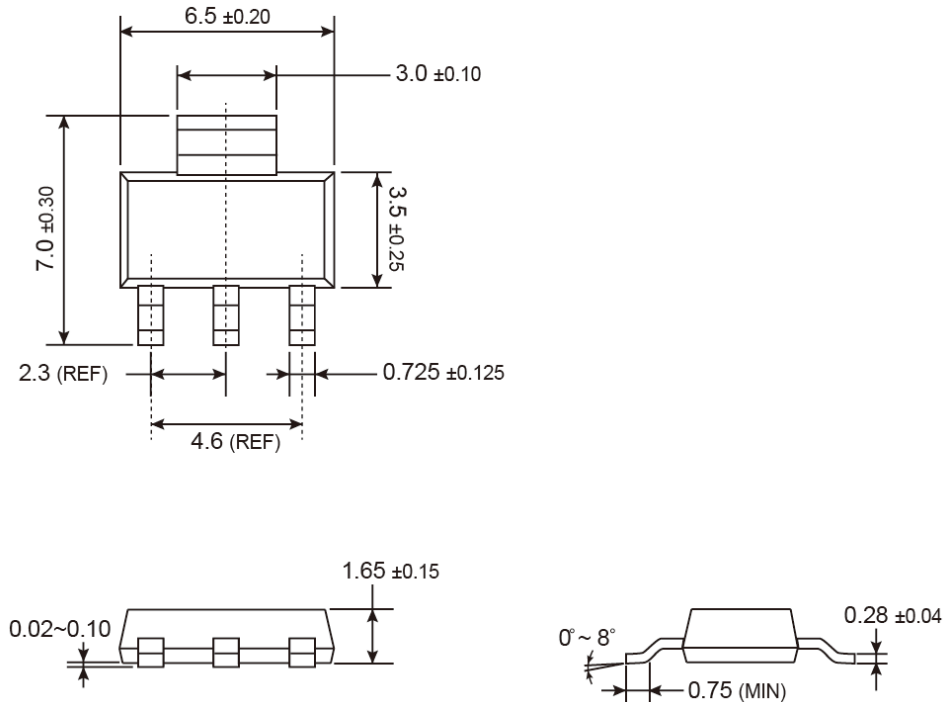
Unit: Millimeters

**Marking Diagram**



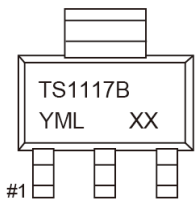
- Y** = Year Code
- M** = Month Code for Halogen Free Product  
(**O**=Jan, **P**=Feb, **Q**=Mar, **R**=Apr, **S**=May, **T**=Jun, **U**=Jul, **V**=Aug, **W**=Sep, **X**=Oct, **Y**=Nov, **Z**=Dec)
- L** = Lot Code
- XX** = Output Voltage  
(**3.3**=3.3V, **5.0**=5V)
- CP** = Adjustable Voltage

**SOT-223 Mechanical Drawing**



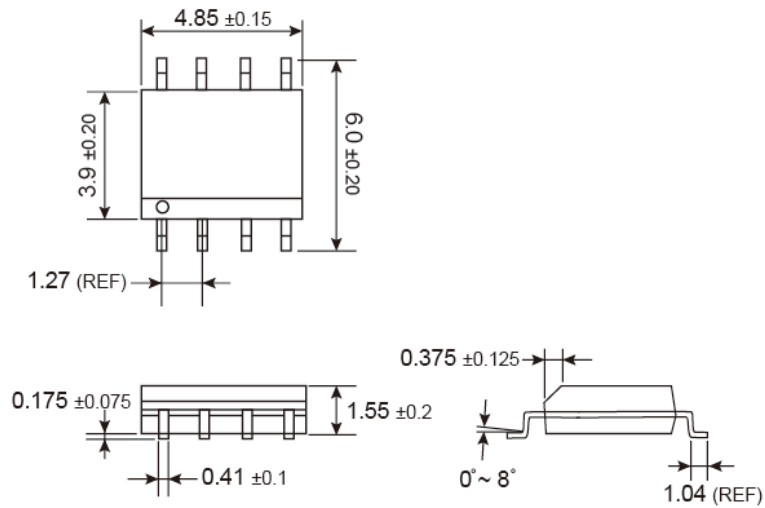
Unit: Millimeters

**Marking Diagram**



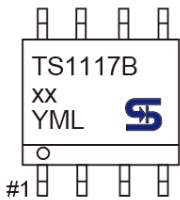
- Y** = Year Code
- M** = Month Code for Halogen Free Product  
(**O**=Jan, **P**=Feb, **Q**=Mar, **R**=Apr, **S**=May, **T**=Jun, **U**=Jul, **V**=Aug, **W**=Sep, **X**=Oct, **Y**=Nov, **Z**=Dec)
- L** = Lot Code
- XX** = Output Voltage  
(**1.2**=1.2V, **1.8**=1.8V, **2.5**=2.5V, **3.3**=3.3V, **5.0**=5V)

**SOP-8 Mechanical Drawing**



Unit: Millimeters

**Marking Diagram**



- Y** = Year Code
- M** = Month Code for Halogen Free Product  
(**O**=Jan, **P**=Feb, **Q**=Mar, **R**=Apr, **S**=May, **T**=Jun, **U**=Jul, **V**=Aug, **W**=Sep, **X**=Oct, **Y**=Nov, **Z**=Dec)
- L** = Lot Code
- XX** = Output Voltage  
(**3.3**=3.3V)

### Notice

Specifications of the products displayed herein are subject to change without notice. TSC or anyone on its behalf, assumes no responsibility or liability for any errors or inaccuracies.

Information contained herein is intended to provide a product description only. No license, express or implied, to any intellectual property rights is granted by this document. Except as provided in TSC's terms and conditions of sale for such products, TSC assumes no liability whatsoever, and disclaims any express or implied warranty, relating to sale and/or use of TSC products including liability or warranties relating to fitness for a particular purpose, merchantability, or infringement of any patent, copyright, or other intellectual property right.

The products shown herein are not designed for use in medical, life-saving, or life-sustaining applications. Customers using or selling these products for use in such applications do so at their own risk and agree to fully indemnify TSC for any damages resulting from such improper use or sale.