

# TLP668JF(S)

OFFICE MACHINE  
 HOUSEHOLD USE EQUIPMENT  
 TRIAC DRIVERSOLID STATE RELAY

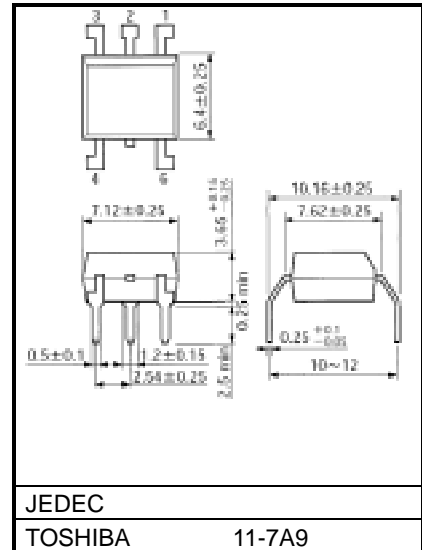
The TOSHIBA TLP668JF(S) consists of a zero voltage crossing turn-on photo-triac optically coupled to a GaAlAs infrared emitting diode in a six lead plastic DIP package.

All parameters are tested to the specification of TLP668J(S).  
 (both condition and limits)

- Peak Off-State Voltage : 600V(Min)
- Trigger LED Current : 3mA(Max)
- On-State Current : 100mA(Max)
- Isolation Voltage : 5000Vrms(Min)
- L Recognized :UL1577,File No.E67349
- SEMKO Approved :SS EN60065, File No.9841102  
 SS EN60950, File No.9841102
- BSI Approved :BS EN60065, File No.8385  
 BS EN60950, File No.8386
- Option(D4)type  
 VDE Approved :DIN VDE0884  
 Approved No.83649
- Maximum Operating Insulation Voltage :1140V<sub>PK</sub>
- Highest Permissible Over Voltage :8000 V<sub>PK</sub>

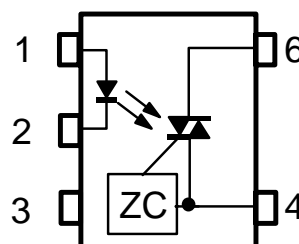
**(Note)When a VDE0884 approved type is needed,  
 please designate the "Option(D4)"**

- Construction Mechanical Rating(10.16mm pitch)
  - Creepage Distance : 8.0mm(Min)
  - Clearance : 8.0mm(Min)
  - Insulation Thickness : 0.5mm(Min)



Weight: 0.39 g

## PIN CONFIGURATION (TOP VIEW)



- 1: ANODE
- 2: CATHODE
- 3: N.C.
- 4: TERMINAL1
- 6: TERMINAL2
- ZC:Zero-cross Circuit

**RESTRICTIONS ON PRODUCT USE**

000707EBC

- TOSHIBA is continually working to improve the quality and reliability of its products. Nevertheless, semiconductor devices in general can malfunction or fail due to their inherent electrical sensitivity and vulnerability to physical stress. It is the responsibility of the buyer, when utilizing TOSHIBA products, to comply with the standards of safety in making a safe design for the entire system, and to avoid situations in which a malfunction or failure of such TOSHIBA products could cause loss of human life, bodily injury or damage to property.  
In developing your designs, please ensure that TOSHIBA products are used within specified operating ranges as set forth in the most recent TOSHIBA products specifications. Also, please keep in mind the precautions and conditions set forth in the "Handling Guide for Semiconductor Devices," or "TOSHIBA Semiconductor Reliability Handbook" etc..
- The TOSHIBA products listed in this document are intended for usage in general electronics applications (computer, personal equipment, office equipment, measuring equipment, industrial robotics, domestic appliances, etc.). These TOSHIBA products are neither intended nor warranted for usage in equipment that requires extraordinarily high quality and/or reliability or a malfunction or failure of which may cause loss of human life or bodily injury ("Unintended Usage"). Unintended Usage include atomic energy control instruments, airplane or spaceship instruments, transportation instruments, traffic signal instruments, combustion control instruments, medical instruments, all types of safety devices, etc.. Unintended Usage of TOSHIBA products listed in this document shall be made at the customer's own risk.
- Gallium arsenide (GaAs) is a substance used in the products described in this document. GaAs dust and fumes are toxic. Do not break, cut or pulverize the product, or use chemicals to dissolve them. When disposing of the products, follow the appropriate regulations. Do not dispose of the products with other industrial waste or with domestic garbage.
- The products described in this document are subject to the foreign exchange and foreign trade laws.
- The information contained herein is presented only as a guide for the applications of our products. No responsibility is assumed by TOSHIBA CORPORATION for any infringements of intellectual property or other rights of the third parties which may result from its use. No license is granted by implication or otherwise under any intellectual property or other rights of TOSHIBA CORPORATION or others.
- The information contained herein is subject to change without notice.