

SHINDENGEN

Super Fast Recovery Rectifiers

Dual

D5LC20UR

200V 5A

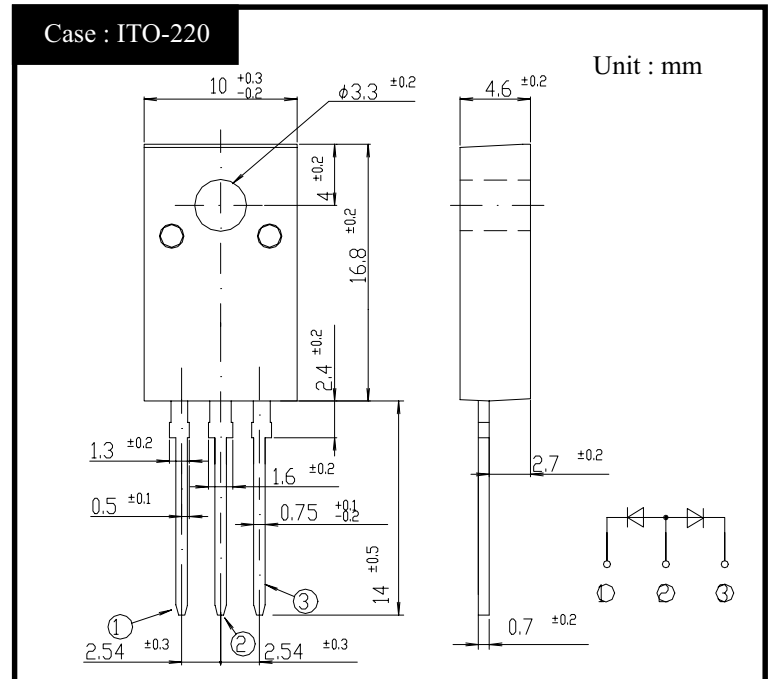
FEATURES

- Low noise
- trr35ns
- Fully Isolated Molding

APPLICATION

- Switching power supply
- Free Wheel
- Home Appliances, Office Equipment
- Telecommunication, Factory Automation

OUTLINE DIMENSIONS



RATINGS

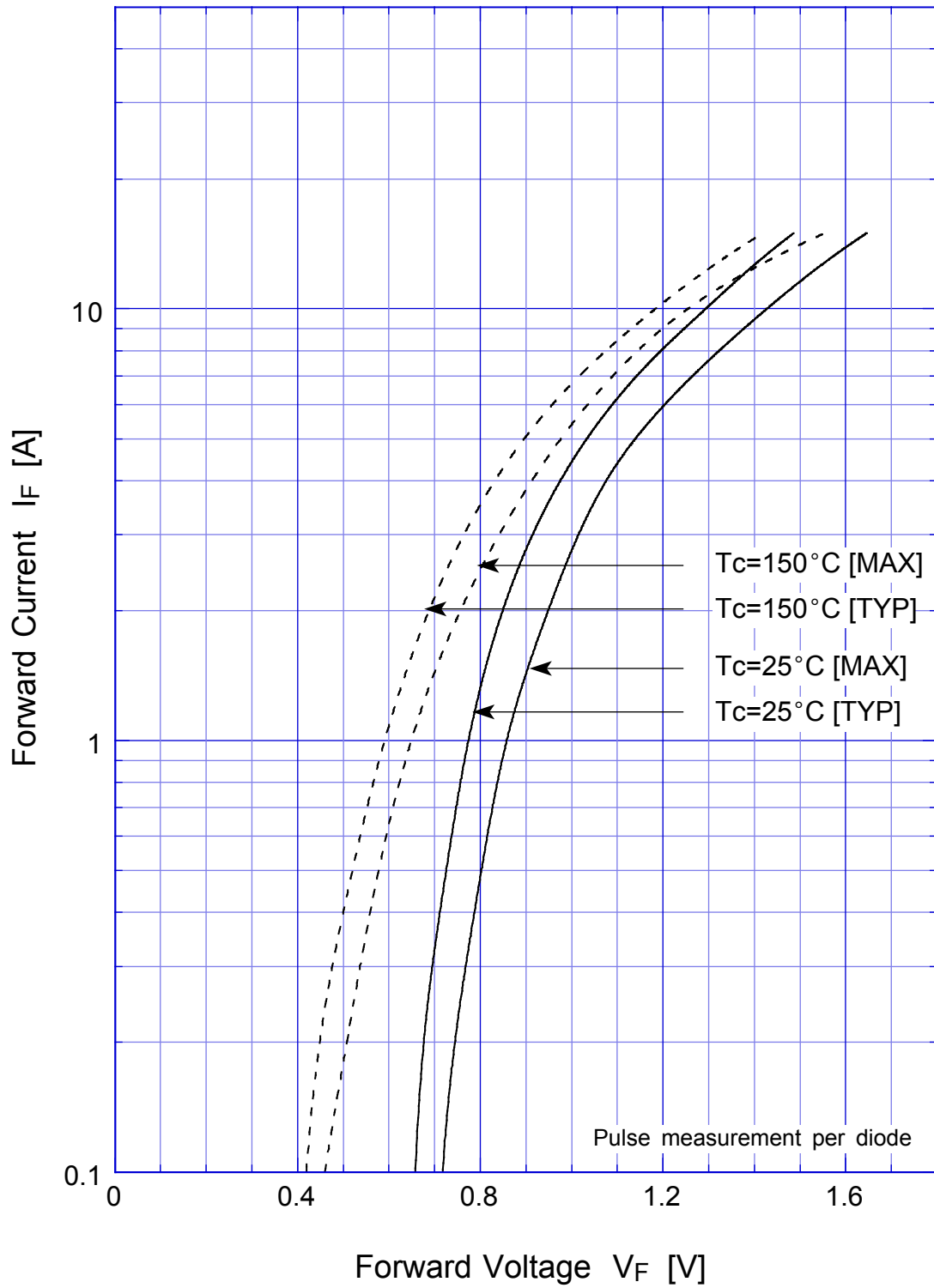
● Absolute Maximum Ratings (If not specified Tc=25°C)

Item	Symbol	Conditions	Ratings	Unit
Storage Temperature	Tstg		-40~150	°C
Operating Junction Temperature	Tj		150	°C
Maximum Reverse Voltage	VRM		200	V
Average Rectified Forward Current	Io	50Hz sine wave, R-load, Rating for each diode Io/2, Tc=132°C	5.0	A
Peak Surge Forward Current	IFSM	50Hz sine wave, Non-repetitive 1 cycle peak value, Tj=25°C	45	A
Dielectric Strength	Vdis	Terminals to case, AC 1 minute	1.5	kV
Mounting Torque	TOR	(Recommended torque: 0.3N·m)	0.5	N·m

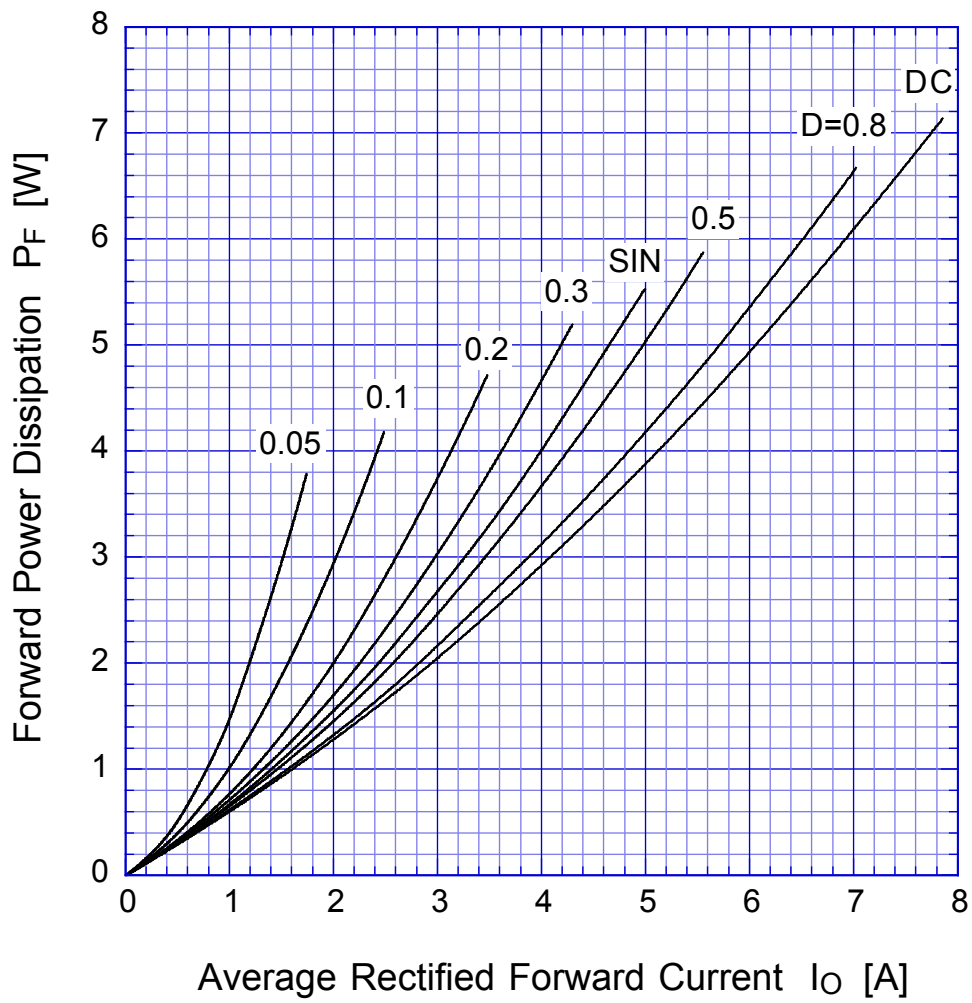
● Electrical Characteristics (If not specified Tc=25°C)

Item	Symbol	Conditions	Ratings	Unit
Forward Voltage	VF	IF=2.5A, Pulse measurement, Rating of per diode	Max 0.98	V
Reverse Current	IR	VR=VRM, Pulse measurement, Rating of per diode	Max 10	μA
Reverse Recovery Time	trr	IF=0.5A, IR=1A, Rating of per diode	Max 35	ns
Thermal Resistance	θjc	junction to case	Max 3.3	°C/W
	θjf	junction to heatsink (Reference value)	Max 4.8	

D5LC20UR Forward Voltage



D5LC20UR Forward Power Dissipation

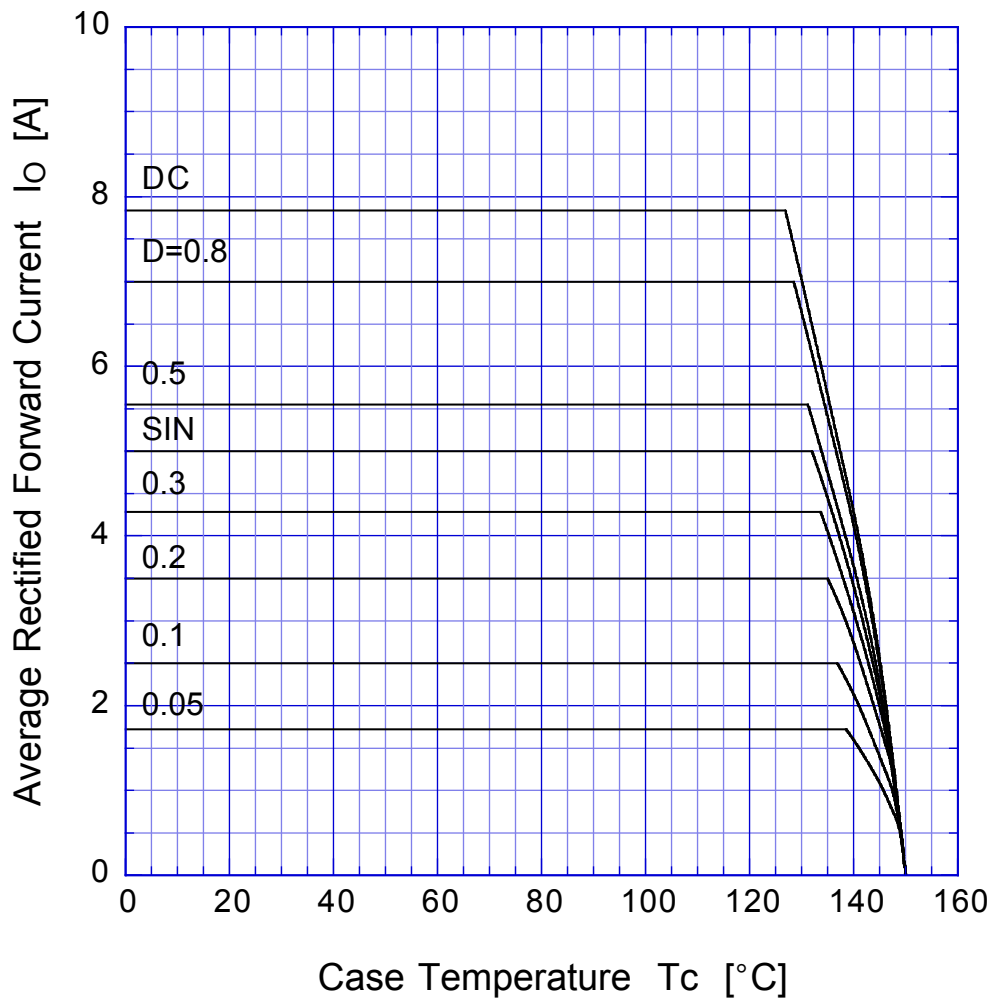


$T_j = 150^\circ\text{C}$



D5LC20UR

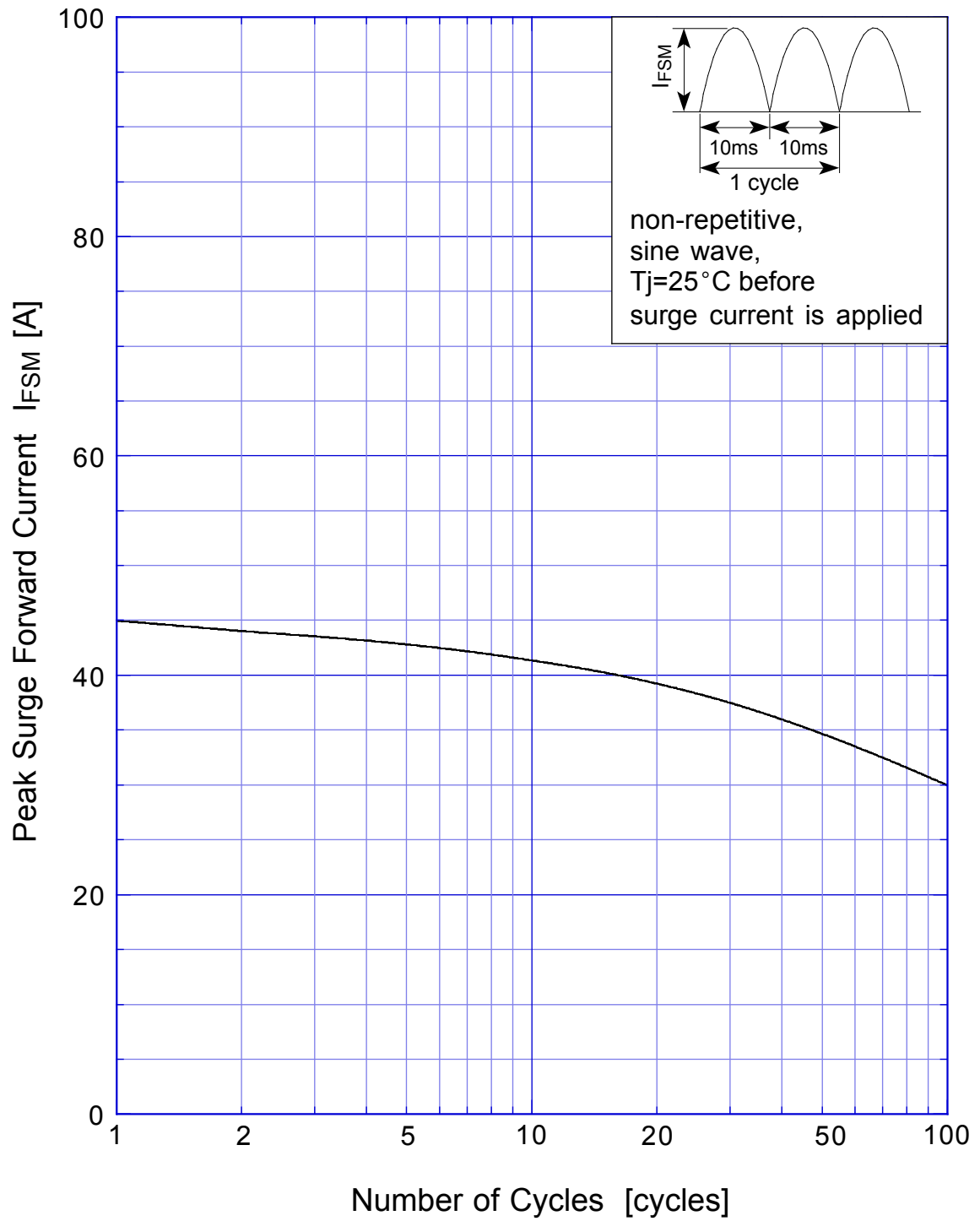
Derating Curve



$$V_R = V_{RM}$$



D5LC20UR Peak Surge Forward Capability



D5LC20UR Junction Capacitance

