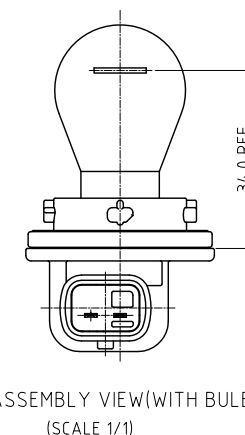
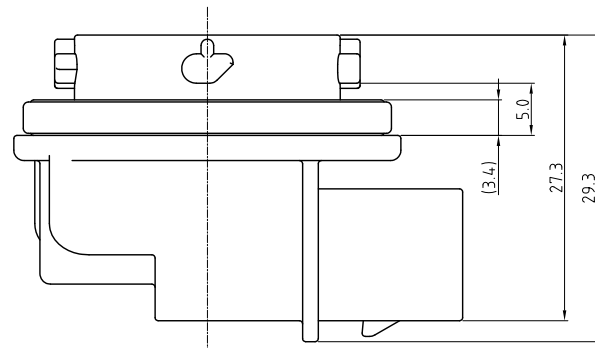
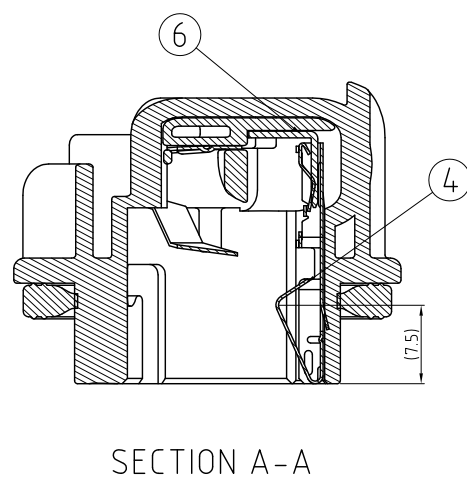
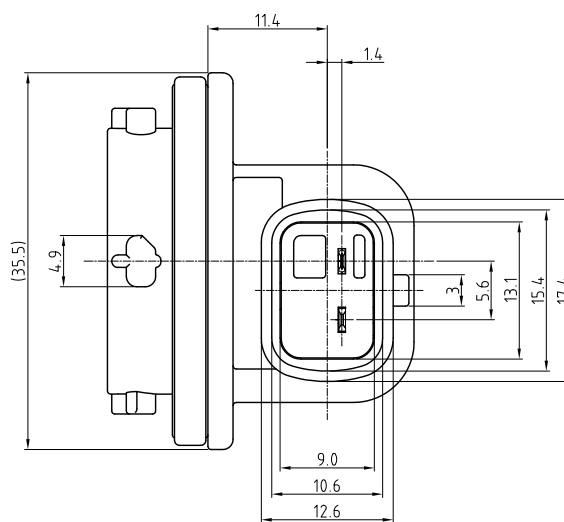
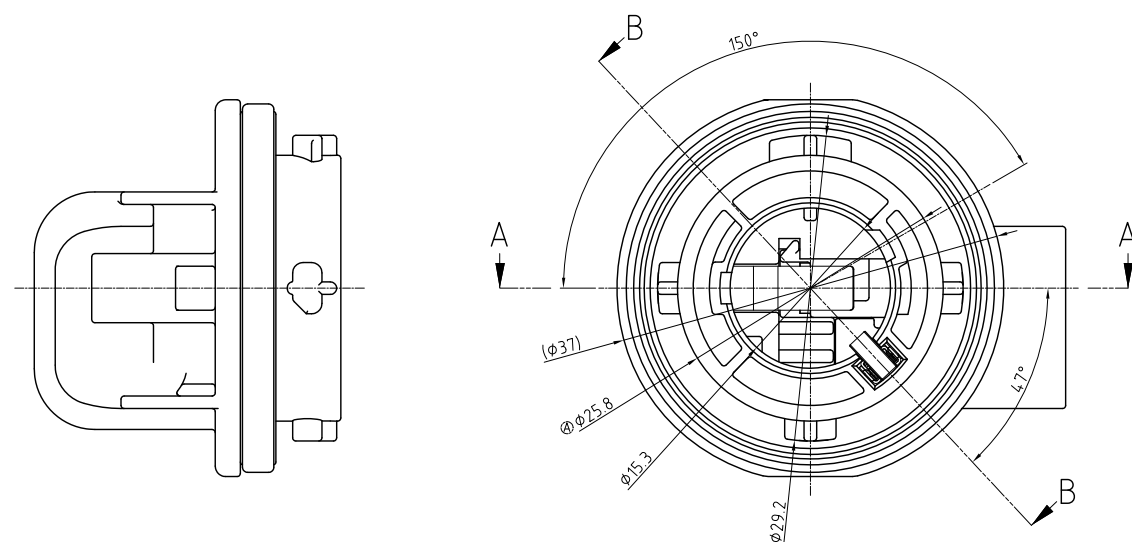
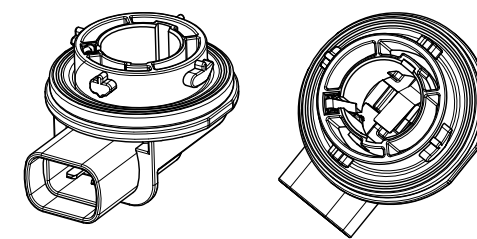
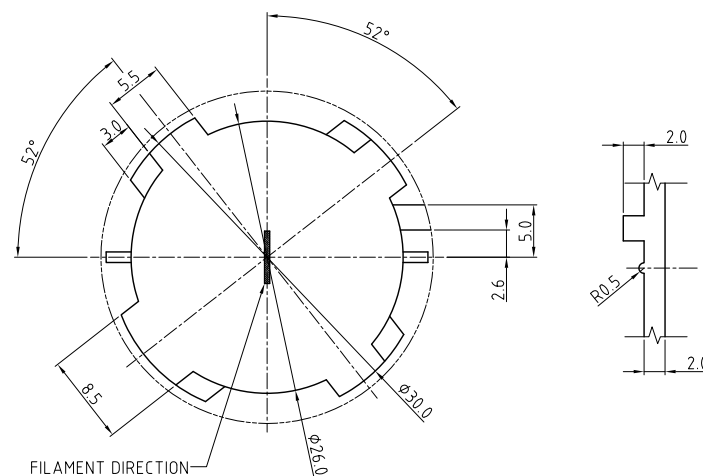
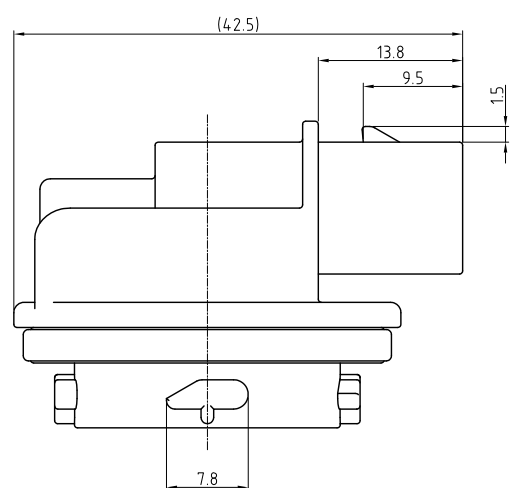
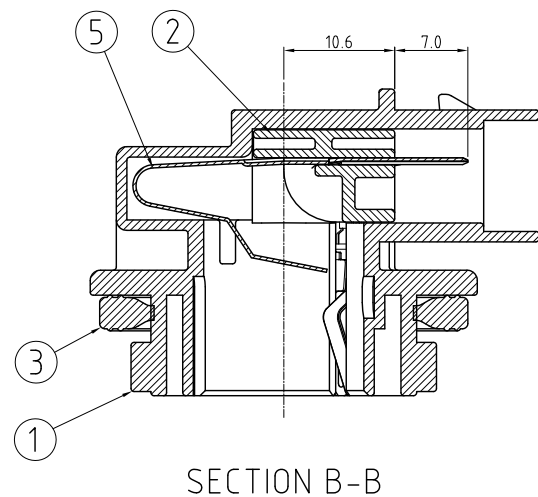


REVISIONS						
LOC	DIST	P	LTR	DESCRIPTION	DATE	APVD
DS	—					
		0		RELEASED (FC00-0174-03)	26/DEC/03	YD CS
		A		REVISED (FC00-0055-04)	29/MAR/04	YD CS
		B		REVISED (ECR-12-015233)	28/AUG/12	JM HG



- NOTE;
- 0.3 MAX. WARPAGE AND 0.3 MAX. FLASH ARE PERMISSIBLE
  - SURFACE DEFECTS ARE NOT ACCEPTABLE AS FOLLOW:  
SINK, WELD LINES, HAIRCRACKS, STAINS & SCORES
  - APPLIED PLUG ASSEMBLY P/N: 936184

NO.	DESCRIPTION	P/N	MATERIAL	COLOR	Q'TY	
					ASS'Y P/N	
6	EARTH TML FOR BULB HODER 2P	0-936920-1	CuNiSi Alloy	-	1	1
5	SOCKET TERMINAL	0-936919-1	⊕ C5210R	-	1	1
4	RECP. TERMINAL	0-936918-1	CuNiSi Alloy	-	1	1
3	O-RING	0-936817-1	SILICONE(LSR)	GRAY(RAL 7004)	1	1
2	BLOCK HSG FOR BULB HOLDER 2P	0-936718-2	PBT+GF10	BLACK(RAL 9011)	1	1
1	BULB HOLDER 2POS HSG	0-936717-3	PBT	GRAY(RAL 7036)	-	1
1	BULB HOLDER 2POS HSG	0-936717-1	PBT	IVORY(RAL 1015)	1	-

control priority dimension;  
 ■ CRITICAL, ☒ MAJOR, □ MINOR

THIS DRAWING IS A CONTROLLED DOCUMENT FOR TYCO ELECTRONICS CORPORATION  
 IT IS SUBJECT TO CHANGE AND THE CONTROLLING ENGINEERING ORGANIZATION  
 SHOULD BE CONTACTED FOR THE LATEST REVISION.

DIMENSIONS: MM	TOLERANCES UNLESS OTHERWISE SPECIFIED:
DECIMALS: ± 0.3	ANGLES: ± 3°
3rd ANGLE PROJECTION	
MATERIAL	FINISH

DWN: JM JEON  
 CHK: JW JUNG  
 APVD: HG CHO  
 PRODUCT SPEC  
 APPLICATION SPEC  
 WEIGHT

**TE** TE Connectivity

NAME:  
**BULB HOLDER 2P ASS'Y  
 RIGHT ANGLE TYPE FOR AMBER BULB**

SIZE: A2 CAGE CODE: 00779 DRAWING NO: 936716 RESTRICTED TO

SCALE: 2/1 SHEET: 1 OF 1 REV: B