

SAW Filter 446.0MHz
Part No: MP03334

Model: TA1120A
Rev No: 2

A. MAXIMUM RATING:

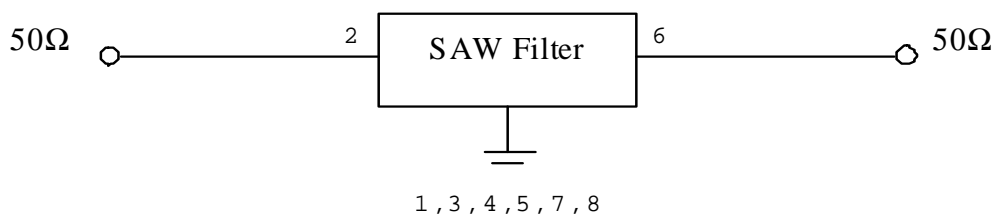
1. Input Power Level: 10dBm
2. DC Voltage: 5V
3. Operating Temperature: -30°C to +60°C
4. Storage Temperature: -40°C to +85°C

B. ELECTRICAL CHARACTERISTICS:

Item	Unit	Min.	Typ.	Max.
Center frequency Fc	MHz	-	446	-
Insertion loss (436 ~ 456MHz) IL	dB	-	3.2	4.2
Amplitude Ripple (436 ~ 456MHz)	dB	-	1.1	2.4
Return loss (436 ~ 456MHz)	dB	7	11	-
Attenuation (Reference level from 0dB)				
0.3 ~ 300MHz	dB	30	51	-
300 ~ 380MHz	dB	24	51	-
380 ~ 416MHz	dB	15	45	-
490.825 ~ 524.825MHz	dB	12	27	-
559.65 ~ 579.65MHz	dB	28	51	-
669.3 ~ 689.3MHz	dB	24	49	-
689.3 ~ 1000MHz	dB	26	45	-
Temperature Coefficient of Frequency	ppm/°C	-	-36	-

C. MEASUREMENT CIRCUIT:

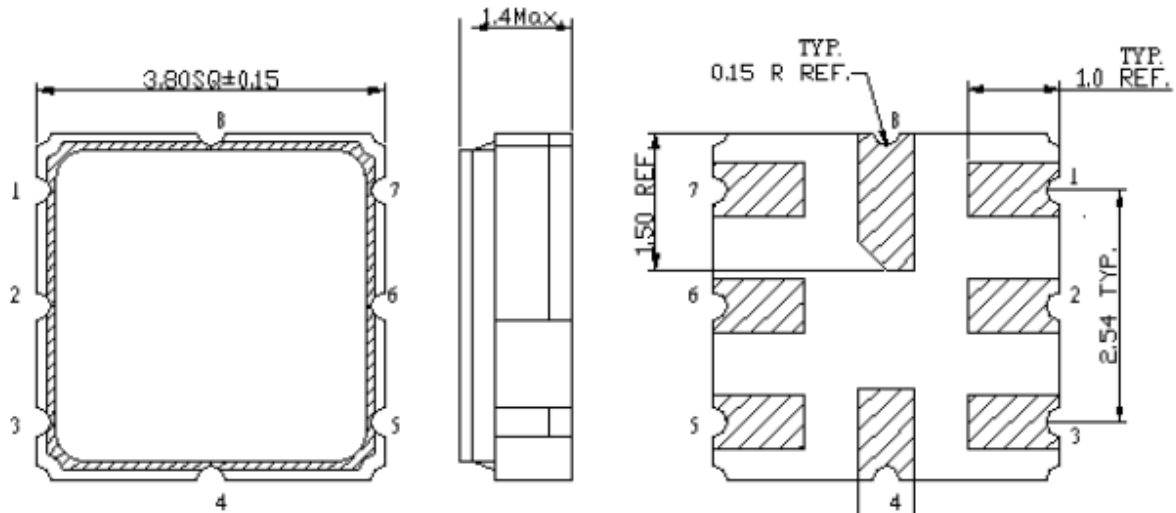
HP Network analyzer



SAW Filter 446.0MHz
Part No: MP03334

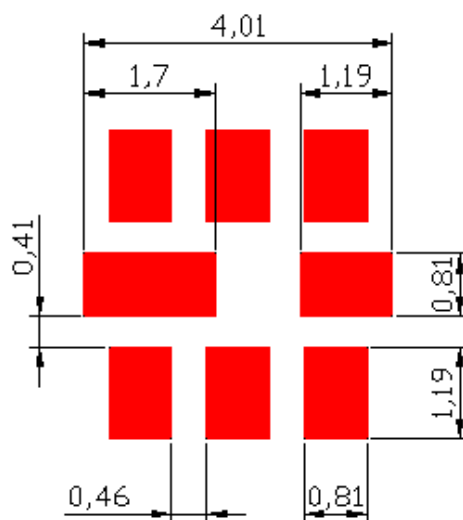
Model: TA1120A
Rev No: 2

D. OUTLINE DRAWING:



2 : Input
 6: Output
 1,3,4,5,7,8: Ground

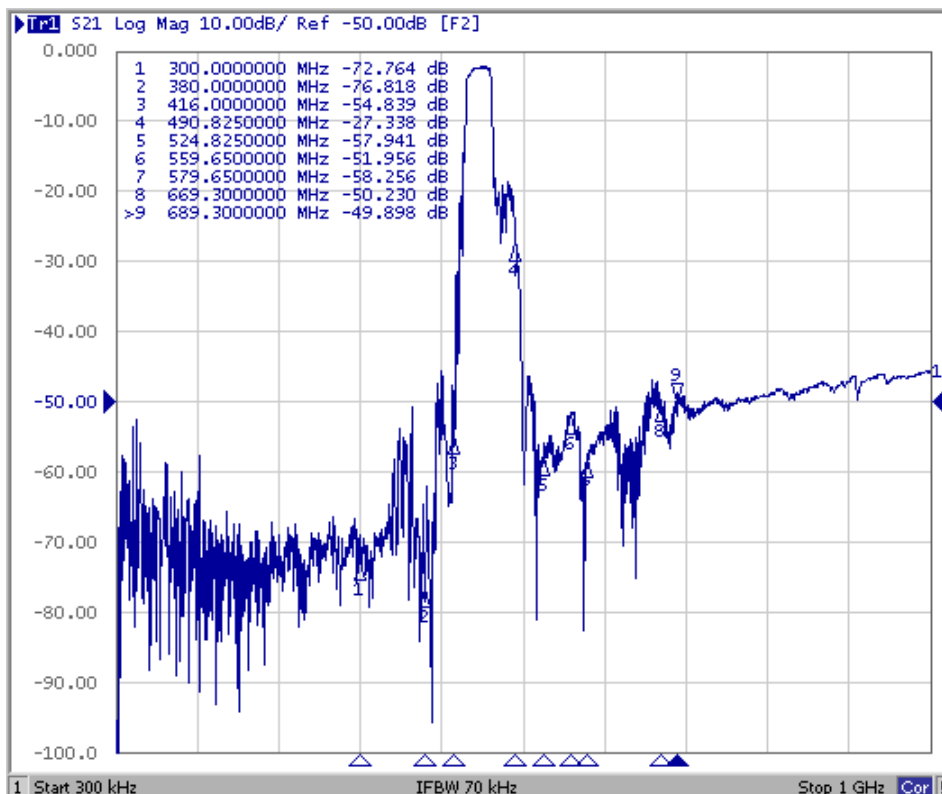
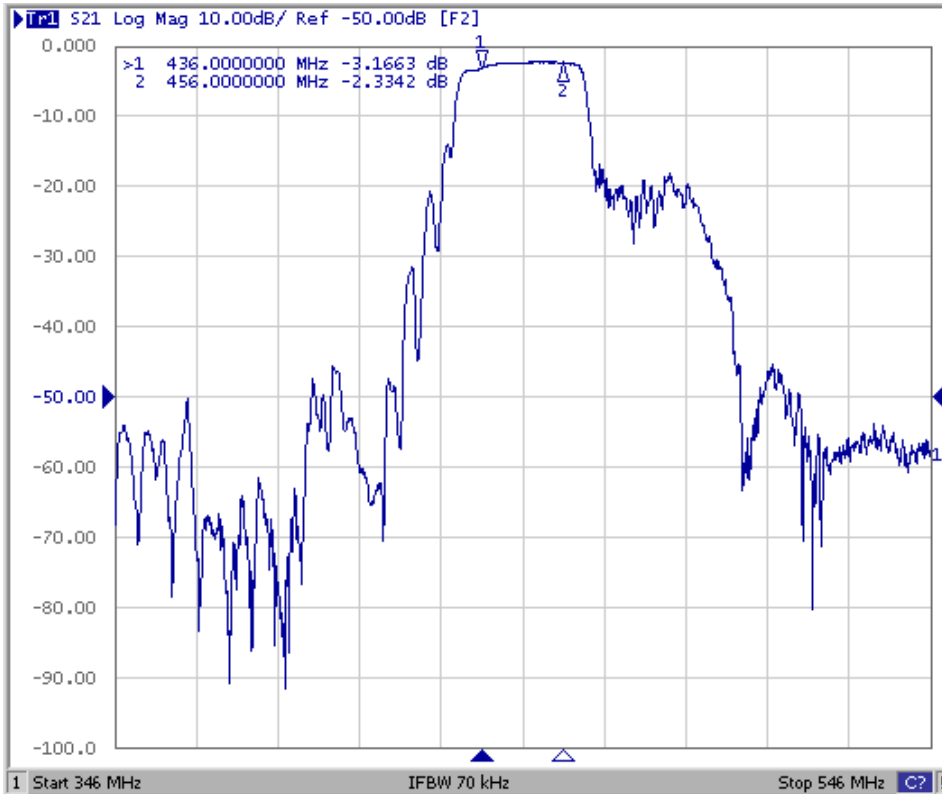
E. PCB FOOTPRINT:



SAW Filter 446.0MHz
Part No: MP03334

Model: TA1120A
Rev No: 2

F. FREQUENCY CHARACTERISTICS:

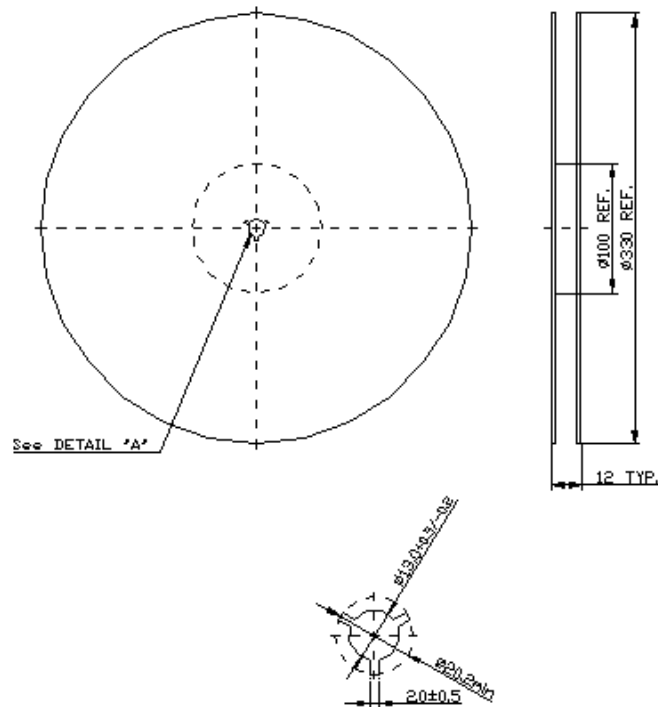


SAW Filter 446.0MHz
Part No: MP03334

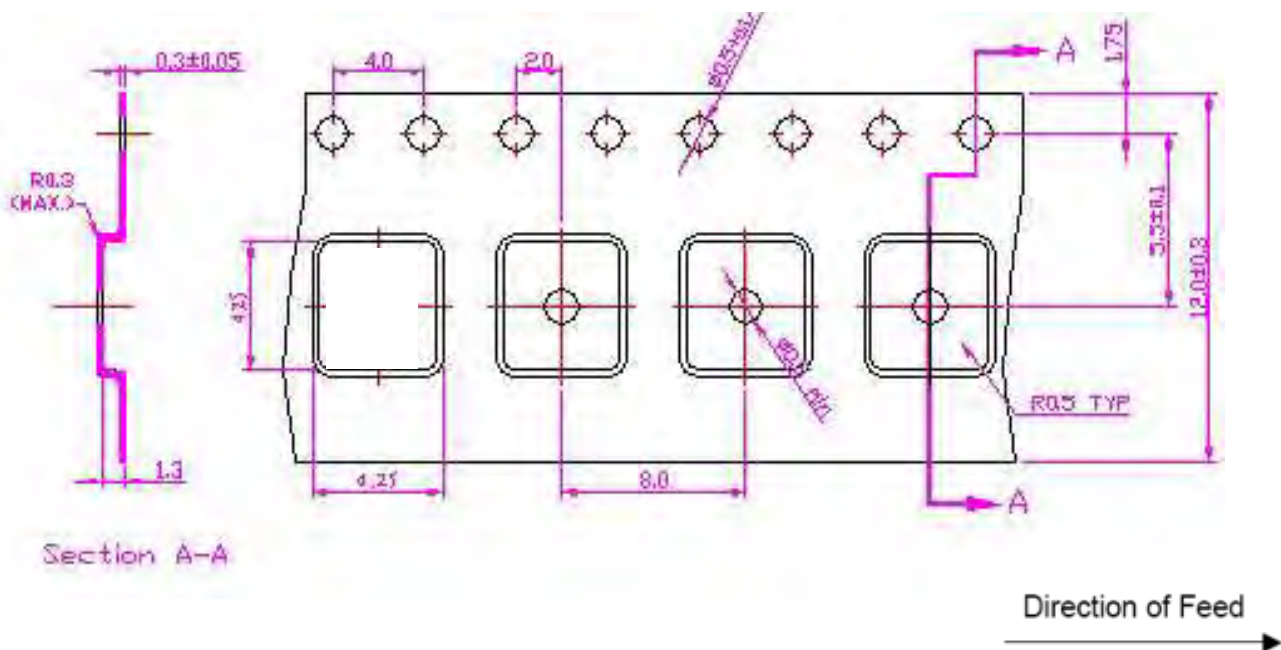
Model: TA1120A
Rev No: 2

G. PACKING:

1. REEL DIMENSION



2. TAPE DIMENSION



SAW Filter 446.0MHz
Part No: MP03334

Model: TA1120A
Rev No: 2

H. RECOMMENDED REFLOW PROFILE:

