

61 KRMC

Screw terminal blocks, pitch 3.5/5.0/10.0 mm

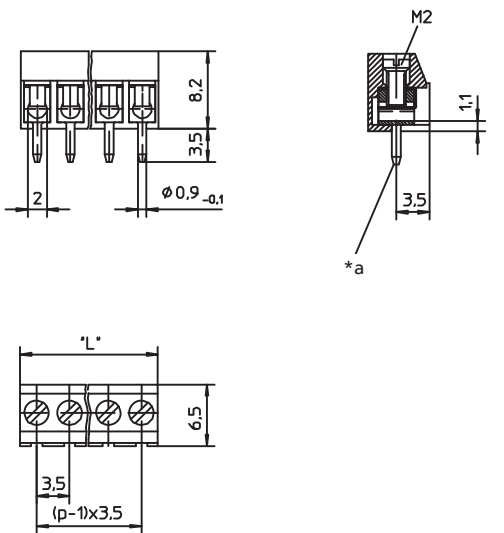


Micro screw terminal block, clamp with wire protector,
upright version, stringable without loss of pitch

State: Active

Approvals:  

61 KRMC



*a bore hole of printed circuit board \varnothing 1.2 mm

Environmental conditions

Temperature range -25 °C/+100 °C

Materials

Insulating body	PA, V-2 according to UL94
Clamp	CuZn, pre-nickel and tin-plated
Wire protector	CuSn, pre-nickel and tin-plated
Screw	steel, zinc-plated and chromatiert

Mechanical data

Screw size	M2
Tightening torque screw	\leq 0,3 Nm

Connectable conductors for screw clamp

Section	\leq 1,0 mm ²
---------	----------------------------

Electrical data (at T_{amb} 20 °C)

Rated current	6 A
Rated voltage	250 V AC, ohne Leiterplatte
Rated impulse voltage	2,5 kV/60 s
Insulation group	B
Tracking resistance	CTI 600
Creepage distance	\geq 2,6 mm
Clearance	\geq 2,6 mm

61 **KRMC**

Designation	Pole Number	PU (Pieces)	MDQ (Pieces)	Dimensions L (mm)
KRMC 02	2	500	1000	7.0
KRMC 03	3	500	1000	10.5
KRMC 04	4	250	1000	14.0
KRMC 05	5	250	1000	17.5
KRMC 06	6	250	1000	21.0
KRMC 08	8	250	1000	28.0

Packaging:

in bulk, in a cardboard box