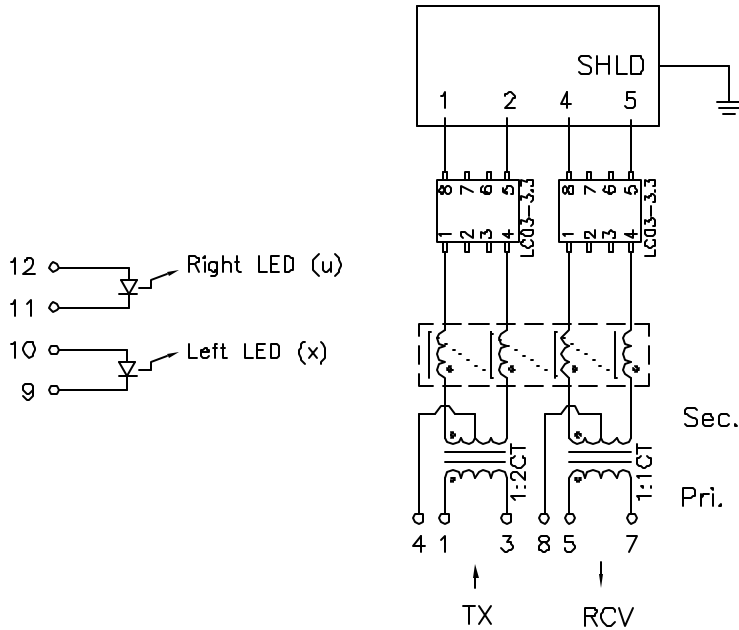


1. Schematic:



2. Electrical Specification: @25°

- Isolation: 1500Vrms 0.5mA 2Sec (Pri to Sec)
- Isolation: 500Vrms 0.5mA 2sec (TX to RCV)
- Turns Ratio: 1:2CT (TX) 1:1±2% (RCV) (Pri:Sec)
- PRI OCL: 600uH Min @100KHz 50mV (TX & RCV)
- Cw/w: 40pF Maximum @100KHz 50mV
- PRI LL: 1.0uH Maximum @100KHz 50mV (SEC Shorted)
- PRI DCR: 1.00 Ohms Maximum (TX)
- PRI DCR: 1.20 Ohms Maximum (RCV)
- SEC DCR: 2.00 Ohms Maximum (TX)
- SEC DCR: 1.25 Ohms Maximum (RCV)
- CMR CHOKE OCL: 18uH Typical @100KHz 50mV

Notes:

1. Solderability: Leads shall meet MIL-STD-202G, Method 208H for solderability.
2. Flammability: UL94V-0
3. ASTM oxygen index: > 28%
4. Insulation System: Class F 155°C. UL file E151556
5. Operating Temperature Range: All listed parameters are to be within tolerance from -40°C to +85°C
6. Storage Temperature Range: -55°C to +125°C
7. Aqueous wash compatible
8. Electrical and mechanical specifications 100% tested
9. RoHS Compliant Component

DOC REV: A/1

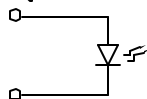
PROPRIETARY:

Document is the property of XFMRs Group & is not allowed to be duplicated without authorization.

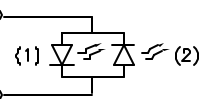
Complete the Combo P/N as follows:

Replace 'x' & 'u' in the part number with one of the LED color letters:
 Y=Yellow 'x' = Left LED Color
 G=Green 'u' = Right LED Color
 A=Amber
 R=Red
 C=Green(1)/Amber(2) Bicolor
 D=Amber(1)/Green(2) Bicolor
 M=Green(1)/Yellow(2) Bicolor
 N=Yellow(1)/Green(2) Bicolor
 P=Red(1)/Green(2) Bicolor
 Q=Green(1)/Red(2) Bicolor

Single Color LED:



Bi-Color LED:



XFMRs Inc.
www.XFMRs.com

UNLESS OTHERWISE SPECIFIED
 TOLERANCES:
 .xxx ±0.010
 Dimensions in Inch
 SHEET 1 OF 2

Title: EIGHT PORT COMBO w LEDs

P/N: XFT1E1DTVS-CTxu8-4M		REV. A
DWN.	Xianyi	Feb-23-09
CHK.	YK Liao	Feb-23-09
APP.	Joe Huff	Feb-23-09

