



POWER SUPPLY

- AC 100-240V Wide-range Input
- Width only 39mm
- +10% (5.4A) continuous current up to +60°C
- +20% (6A) continuous current up to +45°C
- Efficiency up to 95.5%
- Excellent Partial Load Efficiency
- Safe Hiccup^{PLUS} Overload Mode
- Active Power Factor Correction (PFC)
- Minimal Inrush Current Surge
- Full Power Between -25°C and +60°C
- DC-OK Relay Contact
- 3 Year Warranty

GENERAL DESCRIPTION

The DIMENSION CP-Series units are high-end power supplies in a medium price range without compromising quality, reliability and performance. The CP-Series is part of the DIMENSION power supply family. The most outstanding features of CP10.481 are the high efficiency, advanced inrush current limitation, active PFC and the wide operational temperature range.

The CP-Series includes all the essential basic functions. The devices have a power reserve of 10% up to +60°C and 20% up to +45°C included, which may even be used continuously. Additionally, the CP10 can deliver three times the nominal output current for at least 12ms which helps to trip fuses on faulty output branches.

High immunity to transients and power surges as well as low electromagnetic emission, a DC-OK relay contact and a large international approval package for a variety of applications makes this unit suitable for nearly every situation.

SHORT-FORM DATA

| | | |
|-------------------|--|---|
| Output voltage | DC 48V | Nominal |
| Adjustment range | 48 – 56V | Factory setting 48.0V |
| Output current | 6.0-5.2A 5.4-4.6A 4.0-3.4A | Below +45°C ambient At +60°C ambient At +70°C ambient |
| | Derate linearly between +45°C and +70°C | |
| Input voltage AC | AC 100-240V | ±10% |
| Mains frequency | 50-60Hz | ±6% |
| Input current AC | 2.32 / 1.20A | At 120 / 230Vac |
| Power factor | 0.99 / 0.98 | At 120 / 230Vac |
| Input voltage DC | DC 110-150V | ±20% |
| Input current DC | 2.51A | At 110Vdc |
| | Reduce output current to 5-4.3A (48-56V) below 93.5Vdc | |
| AC Inrush current | 6 / 9A pk | At 40°C 120/230Vac |
| Efficiency | 93.8 / 95.5% | At 120 / 230Vac |
| Losses | 17.2 / 12.3W | At 120 / 230Vac |
| Hold-up time | 34 / 34ms | At 120 / 230Vac |
| Temperature range | -25°C to +70°C | |
| Size (w x h x d) | 39x124x117mm | Without DIN-Rail |
| Weight | 600g / 1.3lb | |

ORDER NUMBERS

Power Supply **CP10.481**

Mechanical Accessory

ZM4.WALL Wall/panel mount bracket
ZM12.SIDE Side mount bracket

MARKINGS

For details and a complete approval list see section 20.



INDEX

| | Page | | Page |
|---------------------------------------|------|---|------|
| 1. Intended Use | 3 | 21. Other Fulfilled Standards | 19 |
| 2. Installation Requirements..... | 3 | 22. Physical Dimensions and Weight | 20 |
| 3. AC-Input..... | 4 | 23. Accessories | 21 |
| 4. DC-Input..... | 5 | 23.1. ZM4.WALL – Wall/Panel Mount Bracket . | 21 |
| 5. Input Inrush Current | 6 | 23.2. ZM12.SIDE - Side Mounting Bracket..... | 22 |
| 6. Output | 7 | 23.3. Redundancy Modules | 23 |
| 7. Hold-up Time..... | 8 | 24. Application Notes | 24 |
| 8. DC-OK Relay Contact | 9 | 24.1. Peak Current Capability | 24 |
| 9. Efficiency and Power Losses..... | 10 | 24.2. Back-feeding Loads | 25 |
| 10. Lifetime Expectancy and MTBF..... | 11 | 24.3. External Input Protection..... | 25 |
| 11. Lifetime Expectancy and MTBF..... | 11 | 24.4. Output Circuit Breakers..... | 25 |
| 12. Functional Diagram..... | 12 | 24.5. Parallel Use to Increase Output Power.... | 26 |
| 13. Terminals and Wiring..... | 13 | 24.6. Parallel Use for Redundancy | 26 |
| 14. Front Side and User Elements..... | 14 | 24.7. Series Operation | 27 |
| 15. EMC..... | 15 | 24.8. Inductive and Capacitive Loads..... | 27 |
| 16. Environment | 16 | 24.9. Charging of Batteries | 27 |
| 17. Protection Features | 17 | 24.10. Operation on Two Phases | 28 |
| 18. Safety Features | 17 | 24.11. Use in a Tightly Sealed Enclosure | 28 |
| 19. Dielectric Strength | 18 | 24.12. Mounting Orientations | 29 |
| 20. Approvals..... | 19 | | |

The information given in this document is correct to the best of our knowledge and experience at the time of publication. If not expressly agreed otherwise, this information does not represent a warranty in the legal sense of the word. As the state of our knowledge and experience is constantly changing, the information in this data sheet is subject to revision. We therefore kindly ask you to always use the latest issue of this document (available under www.pulspower.com).

No part of this document may be reproduced or utilized in any form without our prior permission in writing.

TERMINOLOGY AND ABBREVIATIONS

| | |
|--|---|
| PE and \oplus symbol | PE is the abbreviation for Protective Earth and has the same meaning as the symbol \oplus . |
| Earth, Ground | This document uses the term "earth" which is the same as the U.S. term "ground". |
| T.b.d. | To be defined, value or description will follow later. |
| AC 230V | A figure displayed with the AC or DC before the value represents a nominal voltage with standard tolerances (usually $\pm 15\%$) included. E.g.: DC 12V describes a 12V battery disregarding whether it is full (13.7V) or flat (10V) |
| 230Vac | A figure with the unit (Vac) at the end is a momentary figure without any additional tolerances included. |
| 50Hz vs. 60Hz | As long as not otherwise stated, AC 100V and AC 230V parameters are valid at 50Hz mains frequency. AC 120V parameters are valid for 60Hz mains frequency. |
| may | A key word indicating flexibility of choice with no implied preference. |
| shall | A key word indicating a mandatory requirement. |
| should | A key word indicating flexibility of choice with a strongly preferred implementation. |

1. INTENDED USE

This device is designed for installation in an enclosure and is intended for the general professional use such as in industrial control, office, communication, and instrumentation equipment.

Do not use this power supply in equipment, where malfunction may cause severe personal injury or threaten human life.

2. INSTALLATION REQUIREMENTS

This device may only be installed and put into operation by qualified personnel.

This device does not contain serviceable parts. The tripping of an internal fuse is caused by an internal defect. Do not replace the fuse.

If damage or malfunction should occur during installation or operation, immediately turn power off and send unit to the factory for inspection.

Mount the unit on a DIN-rail so that the input terminals are located on the bottom of the unit. For other mounting orientations see de-rating requirements in this document. See chapter 24.12.

This device is designed for convection cooling and does not require an external fan. Do not obstruct airflow and do not cover ventilation grid (e.g. cable conduits) by more than 15%!

Keep the following installation clearances: 40mm on top, 20mm on the bottom, 5mm on the left and right sides are recommended when the device is loaded permanently with more than 50% of the rated power. Increase this clearance to 15mm in case the adjacent device is a heat source (e.g. another power supply).

A disconnecting means shall be provided for the output of the power supplies when used in applications according to CSA C22.2 No 107.1-01.

⚠ WARNING Risk of electrical shock, fire, personal injury or death.

- Do not use the power supply without proper grounding (Protective Earth). Use the terminal on the input block for earth connection and not one of the screws on the housing.
- Turn power off before working on the device. Protect against inadvertent re-powering.
- Make sure that the wiring is correct by following all local and national codes.
- Do not modify or repair the unit.
- Do not open the unit as high voltages are present inside.
- Use caution to prevent any foreign objects from entering the housing.
- Do not use in wet locations or in areas where moisture or condensation can be expected.
- Do not touch during power-on, and immediately after power-off. Hot surfaces may cause burns.

Notes for use in hazardous location areas:

The power supply is suitable for use in Class I Division 2 Groups A, B, C, D locations and for use in Group II Category 3 (Zone 2) environments. See section 20 for details.

WARNING EXPLOSION HAZARDS!

Substitution of components may impair suitability for this environment. Do not disconnect the unit or operate the voltage adjustment or S/P jumper unless power has been switched off or the area is known to be non-hazardous.

A suitable enclosure must be provided for the end product which has a minimum protection of IP54 and fulfils the requirements of the EN 60079-15:2010.

3. AC-INPUT

| | | | |
|---------------------------|--------------------------------------|-------------|---|
| AC input | Nom. | AC 100-240V | Suitable for TN-, TT- and IT mains networks |
| AC input range | Min. | 85-264Vac | Continuous operation Below 90Vac, reduce output current according to Fig. 3-5. |
| | Min. | 264-300Vac | For maximal 500ms |
| | Max. | 300Vac | Continuous according to IEC 62477-1 |
| Input frequency | Nom. | 50-60Hz | ±6% |
| Turn-on voltage | Typ. | 80Vac | Steady-state value, see Fig. 3-1 |
| Shut-down voltage | Typ. | 70Vac | Steady-state value, see Fig. 3-1 |
| | Typ. | 55Vac | Dynamic value for maximal 250ms |
| External input protection | See recommendations in chapter 24.3. | | |

| | | AC 100V | AC 120V | AC 230V | |
|-----------------------------|--------------------------------------|----------------|----------------|----------------|---|
| Input current | Typ. | 2.82A | 2.32A | 1.20A | At 48V, 5.4A, see Fig. 3-3 |
| Power factor ^{*)} | Typ. | 0.99 | 0.99 | 0.98 | At 48V, 5.4A, see Fig. 3-4 |
| Crest factor ^{**)} | Typ. | 1.5 | 1.5 | 1.65 | At 48V, 5.4A |
| Start-up delay | Typ. | 300ms | 290ms | 240ms | See Fig. 3-2 |
| Rise time | Typ. | 63ms | 63ms | 63ms | At 48V, 5.4A const. current load, 0mF load capacitance, see Fig. 3-2 |
| | Typ. | 210ms | 210ms | 210ms | At 48V, 5.4A const. current load, 5mF load capacitance, see Fig. 3-2 |
| Turn-on overshoot | Max. | 200mV | 200mV | 200mV | See Fig. 3-2 |
| External input protection | See recommendations in chapter 24.3. | | | | |

*) The power factor is the ratio of the true (or real) power to the apparent power in an AC circuit.

***) The crest factor is the mathematical ratio of the peak value to RMS value of the input current waveform.

Fig. 3-1 **Input voltage range**

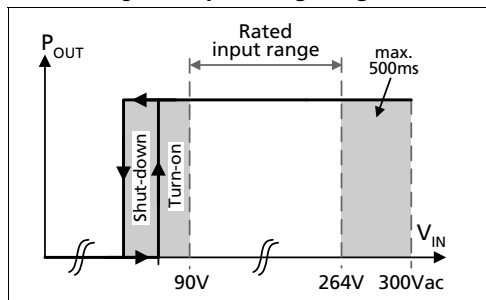


Fig. 3-3 **Input current vs. output current at 48V output voltage**

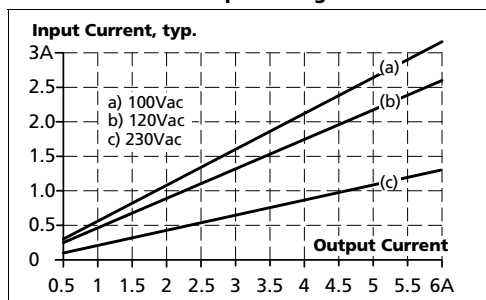


Fig. 3-2 **Turn-on behavior, definitions**

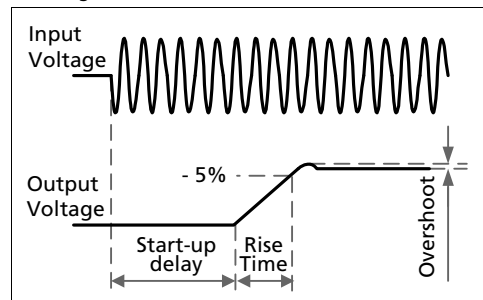


Fig. 3-4 **Power factor vs. output current at 48V output voltage**

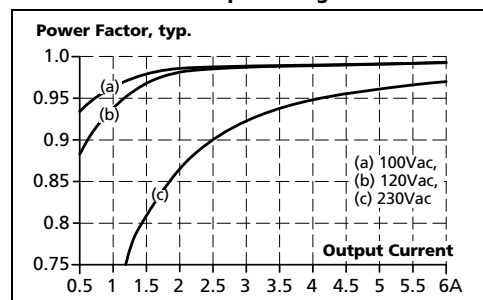
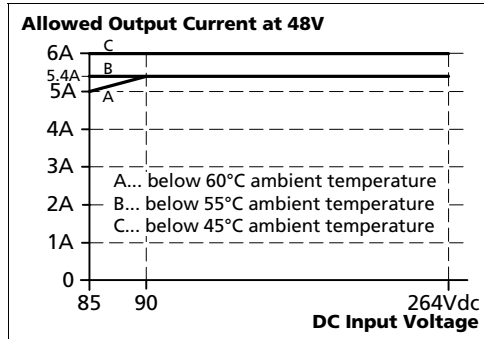


Fig. 3-5 Derating requirements



4. DC-INPUT

| | | | |
|------------------------------|------|-------------|--|
| DC input | Nom. | DC 110-150V | ±20% |
| DC input range | Min. | 88-180Vdc | Continuous operation, Below 93.5Vdc, reduce output current according to Fig. 4-2. |
| DC input current | Typ. | 2.51A | At 110Vdc |
| Allowed Voltage L/N to Earth | Max. | 375Vdc | Continuous, according to IEC 62477-1 |
| Turn-on voltage | Typ. | 80Vdc | Steady state value |
| Shut-down voltage | Typ. | 70Vdc | Steady state value |
| | Typ. | 55Vdc | Dynamic value for maximal 250ms |

Instructions for DC use:

- Use a battery or a similar DC source. A supply from the intermediate DC-bus of a frequency converter is not recommended and can cause a malfunction or damage the unit.
- Connect +pole to L and -pole to N.
- Connect the PE terminal to an earth wire or to the machine ground.

Fig. 4-1 Wiring for DC Input

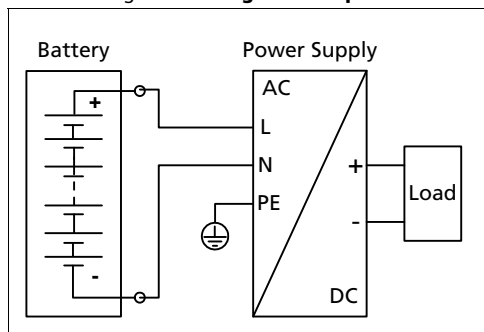
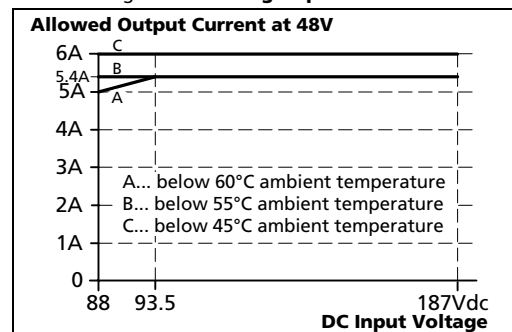


Fig. 4-2 Derating requirements



5. INPUT INRUSH CURRENT

An active inrush limitation circuit (NTCs, which are bypassed by a relay contact) limits the input inrush current after turn-on of the input voltage.

The charging current into EMI suppression capacitors is disregarded in the first microseconds after switch-on.

| | | AC 100V | AC 120V | AC 230V | |
|----------------|------|---------------------|---------------------|---------------------|---------------------|
| Inrush current | Max. | 11A _{peak} | 7A _{peak} | 11A _{peak} | At 40°C, cold start |
| | Typ. | 9A _{peak} | 6A _{peak} | 6A _{peak} | At 25°C, cold start |
| | Typ. | 9A _{peak} | 6A _{peak} | 9A _{peak} | At 40°C, cold start |
| Inrush energy | Max. | 0.1A ² s | 0.1A ² s | 0.4A ² s | At 40°C, cold start |

Fig. 5-1 Typical turn-on behavior at nominal load, 120Vac input and 25°C ambient

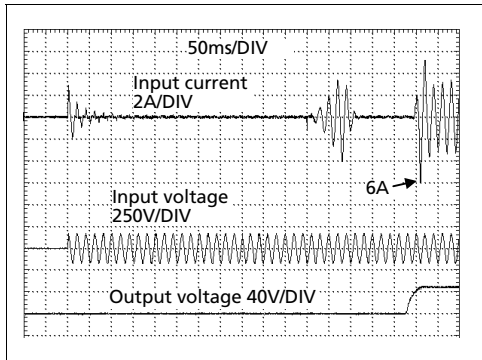
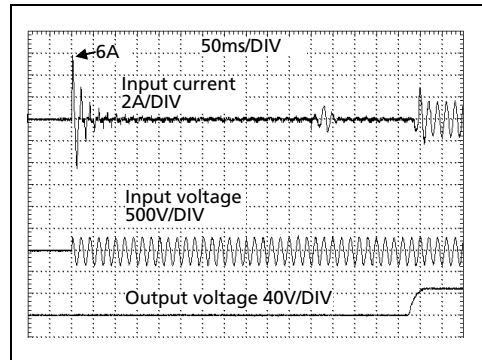


Fig. 5-2 Typical turn-on behavior at nominal load, 230Vac input and 25°C ambient



6. OUTPUT

| | | | |
|--------------------------|---|--------------------|--|
| Output voltage | Nom. | 48V | |
| Adjustment range | Min. | 48-56V | Guaranteed value |
| | Max. | 58.0V | This is the maximum output voltage which can occur at the clockwise end position of the potentiometer due to tolerances. It is not a guaranteed value which can be achieved. |
| Factory settings | Typ. | 48.0V | ±0.2%, at full load and cold unit |
| Line regulation | Max. | 10mV | Between 85 and 300Vac |
| Load regulation | Max. | 50mV | Between 0 and 6A, static value, see Fig. 6-1 |
| Ripple and noise voltage | Max. | 50mVpp | Bandwidth 20Hz to 20MHz, 50Ohm |
| Output current | Nom. | 6.0A ¹⁾ | At 48V and an ambient temperature below 45°C, see Fig. 16-1 |
| | Nom. | 5.4A | At 48V and 60°C ambient temperature, see Fig. 6-1 |
| | Nom. | 4.0A | At 48V and 70°C ambient temperature, see Fig. 16-1 |
| | Nom. | 5.2A ¹⁾ | At 56V and an ambient temperature below 45°C, see Fig. 16-1 |
| | Nom. | 4.6A | At 56V and 60°C ambient temperature, see Fig. 6-1 |
| | Nom. | 3.4A | At 56V and 70°C ambient temperature, see Fig. 16-1 |
| | Typ. | 15A | For minimal 12ms once every five seconds, see Fig. 6-2. The output voltage stays above 40V. See chapter 24.1 for more peak current measurements. For AC 100V mains, the pulse length is shorter than 12ms. |
| Overload behaviour | Continuous current | | Output voltage above 26Vdc, see Fig. 6-1 |
| | Hiccup ^{PLUS} mode ²⁾ | | Output voltage below 26Vdc, see Fig. 6-1 |
| Short-circuit current | Min. | 6.3A ³⁾ | Load impedance <90mOhm, see Fig. 6-3 |
| | Max. | 7.7A ³⁾ | Load impedance <90mOhm, see Fig. 6-3 |
| | Max. | 2.2A | Average (R.M.S.) current, load impedance 50mOhm, see Fig. 6-3 |
| | Min. | 14.5A | Up to 12ms, load impedance <90mOhm, see Fig. 6-2 |
| Output capacitance | Typ. | 960µF | Up to 12ms, load impedance <90mOhm, see Fig. 6-2 |
| | | | Included inside the power supply |

1) Power Boost

This power/ current is continuously allowed up to an ambient temperature of 45°C.

Above 45°C, do not use this power/ current longer than a duty cycle of 10% and/ or not longer than 1 minute every 10 minutes.

2) Hiccup^{PLUS} Mode

At heavy overloads (when output voltage falls below 26V), the power supply delivers continuous output current for 2s. After this, the output is switched off for approx. 18s before a new start attempt is automatically performed. This cycle is repeated as long as the overload exists. If the overload has been cleared, the device will operate normally. See Fig. 6-3

3) Discharge current of output capacitors is not included.

Fig. 6-1 **Output voltage vs. output current, typ.**

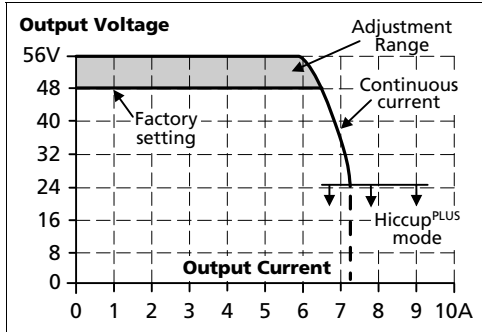


Fig. 6-2 **Dynamic output current capability, typ.**

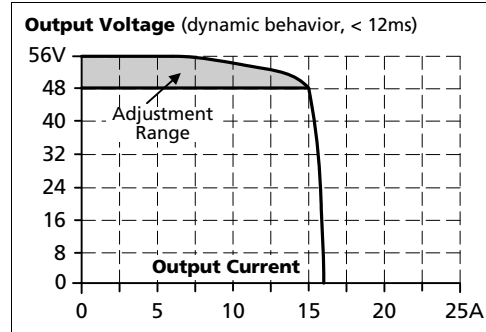
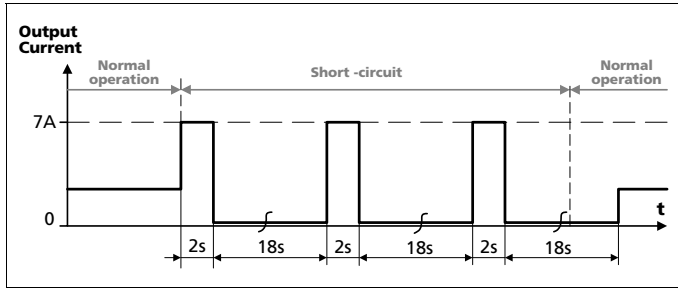


Fig. 6-3 **Short-circuit on output, Hiccup^{PLUS} mode, typ.**



7. HOLD-UP TIME

| | | AC 100V | AC 120V | AC 230V | |
|--------------|------|---------|---------|---------|----------------------------|
| Hold-up Time | Typ. | 67ms | 67ms | 67ms | At 48V, 2.7A, see Fig. 7-1 |
| | Min. | 50ms | 50ms | 50ms | At 48V, 2.7A, see Fig. 7-1 |
| | Typ. | 34ms | 34ms | 34ms | At 48V, 5.4A, see Fig. 7-1 |
| | Min. | 26ms | 26ms | 26ms | At 48V, 5.4A, see Fig. 7-1 |

Fig. 7-1 **Hold-up time vs. input voltage**

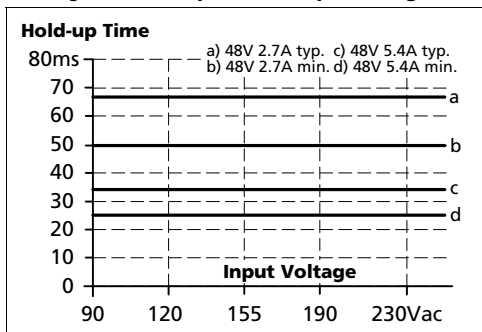
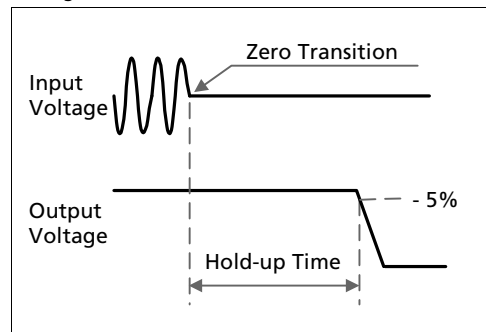


Fig. 7-2 **Shut-down behavior, definitions**

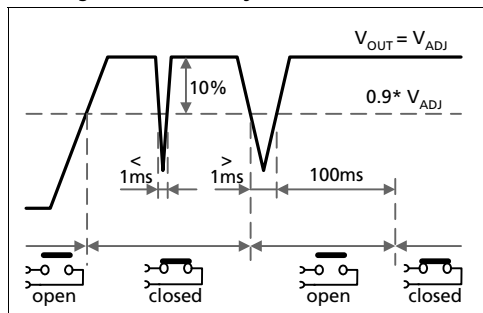


8. DC-OK RELAY CONTACT

This feature monitors the output voltage on the output terminals of a running power supply.

| | |
|----------------------|--|
| Contact closes | As soon as the output voltage reaches typ. 90% of the adjusted output voltage level. |
| Contact opens | As soon as the output voltage dips more than 10% below the adjusted output voltage. Short dips will be extended to a signal length of 100ms. Dips shorter than 1ms will be ignored. |
| Switching hysteresis | Typ. 2V |
| Contact ratings | Maximal 60Vdc 0.3A, 30Vdc 1A, 30Vac 0.5A, resistive load Minimal permissible load: 1mA at 5Vdc |
| Isolation voltage | See dielectric strength table in section 18. |

Fig. 8-1 DC-ok relay contact behavior



9. EFFICIENCY AND POWER LOSSES

| | | AC 100V | AC 120V | AC 230V | |
|----------------------|------|----------------|----------------|----------------|--|
| Efficiency | Typ. | 93.0% | 93.8% | 95.5% | At 48V, 5.4A |
| | Typ. | 92.7% | 93.6% | 95.4% | At 48V, 6A (Power Boost) |
| Average efficiency*) | Typ. | 92.8% | 93.4% | 94.5% | 25% at 1.3A, 25% at 2.6A, 25% at 3.9A. 25% at 5.4A |
| Power losses | Typ. | 2.5W | 2.3W | 2.0W | At 48V, 0A |
| | Typ. | 10.2W | 9.5W | 7.4W | At 48V, 2.7A |
| | Typ. | 19.5W | 17.2W | 12.3W | At 48V, 5.4A |
| | Typ. | 22.7W | 19.7W | 13.9W | At 48V, 6A (Power Boost) |

*) The average efficiency is an assumption for a typical application where the power supply is loaded with 25% of the nominal load for 25% of the time, 50% of the nominal load for another 25% of the time, 75% of the nominal load for another 25% of the time and with 100% of the nominal load for the rest of the time.

Fig. 9-1 **Efficiency vs. output current at 48V, typ.**

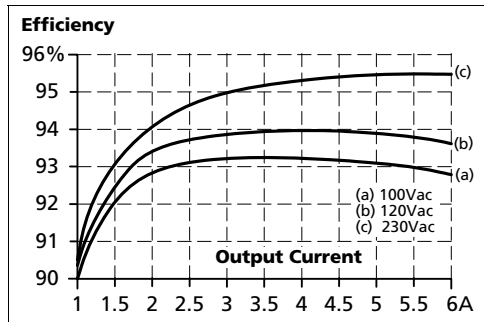


Fig. 9-2 **Losses vs. output current at 48V, typ.**

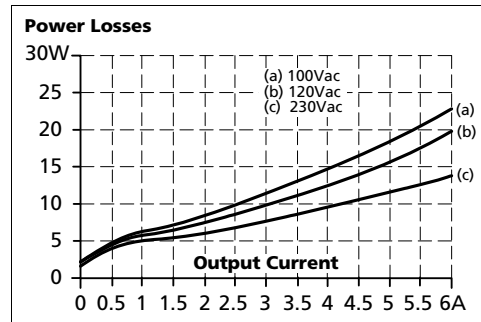


Fig. 9-3 **Efficiency vs. input voltage at 48V, 5.4A, typ.**

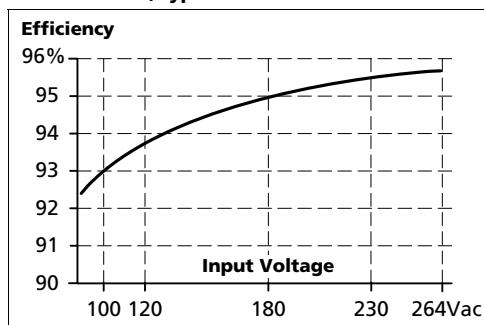
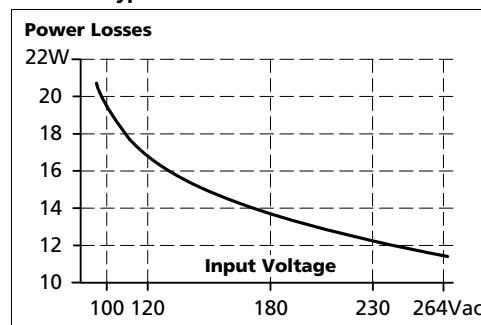


Fig. 9-4 **Losses vs. input voltage at 48V, 5.4A, typ.**



10. LIFETIME EXPECTANCY AND MTBF

The Lifetime expectancy shown in the table indicates the minimum operating hours (service life) and is determined by the lifetime expectancy of the built-in electrolytic capacitors. Lifetime expectancy is specified in operational hours and is calculated according to the capacitor's manufacturer specification. The manufacturer of the electrolytic capacitors only guarantees a maximum life of up to 15 years (131 400h). Any number exceeding this value is a calculated theoretical lifetime which can be used to compare devices.

| | AC 100V | AC 120V | AC 230V | |
|---------------------|----------------|----------------|----------------|-----------------------|
| Lifetime expectancy | 141 000h | 158 000h | 188 000h | At 48V, 2.7A and 40°C |
| | 399 000h | 446 000h | 531 000h | At 48V, 2.7A and 25°C |
| | 63 000h | 77 000h | 120 000h | At 48V, 5.4A and 40°C |
| | 178 000h | 219 000h | 338 000h | At 48V, 5.4A and 25°C |
| | 45 000h | 57 000h | 97 000h | At 48V, 6A and 40°C |
| | 126 000h | 161 000h | 275 000h | At 48V, 6A and 25°C |

11. LIFETIME EXPECTANCY AND MTBF

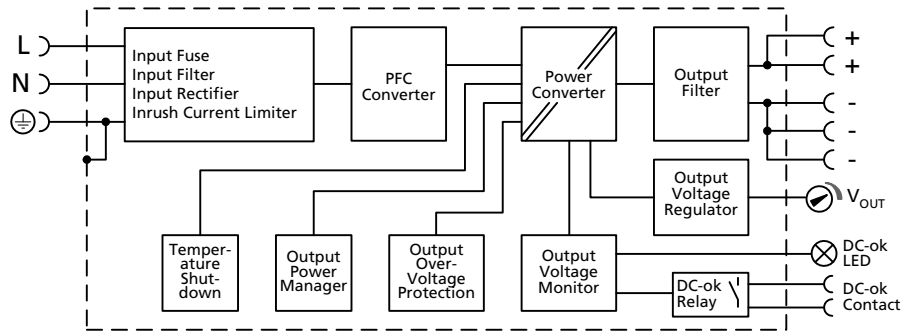
MTBF stands for **Mean Time Between Failure**, which is calculated according to statistical device failures, and indicates reliability of a device. It is the statistical representation of the likelihood of a unit to fail and does not necessarily represent the life of a product.

The MTBF figure is a statistical representation of the likelihood of a device to fail. A MTBF figure of e.g. 1 000 000h means that statistically one unit will fail every 100 hours if 10 000 units are installed in the field. However, it cannot be determined if the failed unit has been running for 50 000h or only for 100h.

| | AC 100V | AC 120V | AC 230V | |
|--------------------------|----------------|----------------|----------------|--|
| MTBF SN 29500, IEC 61709 | 506 000h | 523 000h | 699 000h | At 48V, 5.4A and 40°C |
| | 897 000h | 923 000h | 1 201 000h | At 48V, 5.4A and 25°C |
| MTBF MIL HDBK 217F | 223 000h | 224 000h | 248 000h | At 48V, 5.4A and 40°C; Ground Benign GB40 |
| | 303 000h | 303 000h | 339 000h | At 48V, 5.4A and 25°C; Ground Benign GB25 |
| | 50 000h | 51 000h | 58 000h | At 48V, 5.4A and 40°C; Ground Fixed GF40 |
| | 65 000h | 65 000h | 74 000h | At 48V, 5.4A and 25°C; Ground Fixed GF25 |

12. FUNCTIONAL DIAGRAM

Fig. 12-1 Functional diagram



13. TERMINALS AND WIRING

The terminals are IP20 finger safe constructed and suitable for field- and factory wiring.

| | Input and output | DC-OK-Signal |
|-------------------------------|----------------------------------|---------------------------------|
| Type | Screw terminals | Push-in terminals |
| Solid wire | Max. 6mm ² | Max. 1.5mm ² |
| Stranded wire | Max. 4mm ² | Max. 1.5mm ² |
| American Wire Gauge | AWG 20-10 | AWG 24-16 |
| Wire diameter | Max. 2.8mm (including ferrules) | Max. 1.6mm (including ferrules) |
| Wire stripping length | 7mm / 0.28inch | 7mm / 0.28inch |
| Screwdriver | 3.5mm slotted or cross-head No 2 | Not required |
| Recommended tightening torque | 1Nm, 9lb.in | Not applicable |

Instructions:

- Use appropriate copper cables that are designed for minimum operating temperatures of:
60°C for ambient up to 45°C and
75°C for ambient up to 60°C minimum
90°C for ambient up to 70°C minimum.
- Follow national installation codes and installation regulations!
- Ensure that all strands of a stranded wire enter the terminal connection!
- Unused terminal compartments should be securely tightened.
- Ferrules are allowed.

Daisy chaining:

Daisy chaining (jumping from one power supply output to the next) is allowed as long as the average output current through one terminal pin does not exceed 25A. If the current is higher, use a separate distribution terminal block as shown in Fig. 13-2.

Fig. 13-1 Daisy chaining of outputs

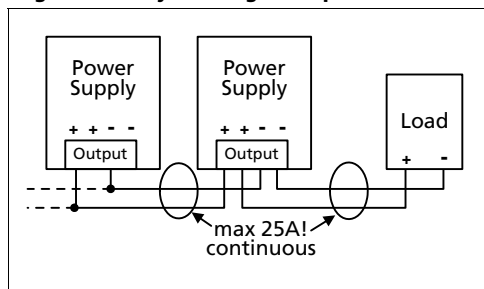
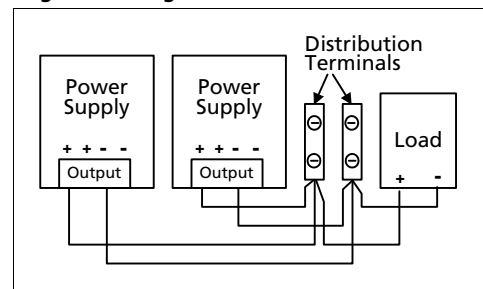


Fig. 13-2 Using distribution terminals




14. FRONT SIDE AND USER ELEMENTS

Fig. 14-1
Front side



A Input Terminals (screw terminals)

- N, L** Line input
-  PE (Protective Earth) input

B Output Terminals (screw terminals)
(two identical + poles and three identical - poles)

- +** Positive output
- Negative (return) output

C Output voltage potentiometer

Open the flap to adjust the output voltage. Factory set: 48.0V

D DC-OK LED (green)

On, when the output voltage is >90% of the adjusted output voltage

E DC-OK Relay Contact

(spring-clamp terminals)

Monitors the output voltage of the running power supply. See chapter 8 for details.

15. EMC

The power supply is suitable for applications in industrial environment as well as in residential, commercial and light industry environments.

| EMC Immunity | | According to generic standards: EN 61000-6-1 and EN 61000-6-2 | | |
|--------------------------|---------------|---|---------------|-------------|
| Electrostatic discharge | EN 61000-4-2 | Contact discharge | 8kV | Criterion A |
| | | Air discharge | 15kV | Criterion A |
| Electromagnetic RF field | EN 61000-4-3 | 80MHz-2.7GHz | 20V/m | Criterion A |
| Fast transients (Burst) | EN 61000-4-4 | Input lines | 4kV | Criterion A |
| | | Output lines | 2kV | Criterion A |
| | | DC-OK signal (coupling clamp) | 2kV | Criterion A |
| Surge voltage on input | EN 61000-4-5 | L → N | 2kV | Criterion A |
| | | L → PE, N → PE | 4kV | Criterion A |
| Surge voltage on output | EN 61000-4-5 | + → - | 1kV | Criterion A |
| | | + / - → PE | 2kV | Criterion A |
| Surge voltage on Signals | EN 61000-4-5 | DC-OK signal → PE | 1kV | Criterion A |
| Conducted disturbance | EN 61000-4-6 | 0.15-80MHz | 20V | Criterion A |
| Mains voltage dips | EN 61000-4-11 | 0% of 100Vac | 0Vac, 20ms | Criterion A |
| | | 40% of 100Vac | 40Vac, 200ms | Criterion C |
| | | 70% of 100Vac | 70Vac, 500ms | Criterion C |
| | | 0% of 200Vac | 0Vac, 20ms | Criterion A |
| | | 40% of 200Vac | 80Vac, 200ms | Criterion A |
| | | 70% of 200Vac | 140Vac, 500ms | Criterion A |
| Voltage interruptions | EN 61000-4-11 | 0% of 200Vac (=0V) | 5000ms | Criterion C |
| Voltage sags | SEMI F47 0706 | Dips on the input voltage according to SEMI F47 standard | | |
| | | 80% of 120Vac (96Vac) | 1000ms | Criterion A |
| | | 70% of 120Vac (84Vac) | 500ms | Criterion A |
| | | 50% of 120Vac (60Vac) | 200ms | Criterion A |
| Powerful transients | VDE 0160 | Over entire load range | 750V, 0.3ms | Criterion A |

Criteria:

- A:** Power supply shows normal operation behavior within the defined limits.
- C:** Temporary loss of function is possible. Power supply may shut-down and restarts by itself. No damage or hazards for the power supply will occur.

| EMC Emission | | According to generic standards: EN 61000-6-3 and EN 61000-6-4 | |
|---|---|--|--|
| Conducted emission input lines | EN 55011, EN 55015, EN 55022, FCC Part 15, CISPR 11, CISPR 22 | Class B | |
| Conducted emission output lines ²⁾ | IEC/CISPR 16-1-2, IEC/CISPR 16-2-1 | Limits for DC power port according EN 61000-6-3 fulfilled | |
| Radiated emission | EN 55011, EN 55022 | Class B | |
| Harmonic input current | EN 61000-3-2 | Class A fulfilled between 0A and 6A load Class C fulfilled between 2.5A and 6A load | |
| Voltage fluctuations, flicker | EN 61000-3-3 | Fulfilled ¹⁾ | |

This device complies with FCC Part 15 rules.

Operation is subjected to following two conditions: (1) this device may not cause harmful interference, and (2) this device must accept any interference received, including interference that may cause undesired operation.

- 1) Tested with constant current loads, non pulsing
- 2) For information only, not mandatory for EN 61000-6-3

Switching Frequencies

| | | |
|---------------------|-----------------|-----------------------|
| PFC converter | 110kHz | Fixed frequency |
| Main converter | 84kHz to 140kHz | Output load dependent |
| Auxiliary converter | 60kHz | Fixed frequency |

16. ENVIRONMENT

| | | |
|---------------------------------------|--|--|
| Operational temperature ¹⁾ | -25°C to +70°C (-13°F to 158°F) | Reduce output power according to Fig. 16-1 |
| Storage temperature | -40°C to +85°C (-40°F to 185°F) | For storage and transportation |
| Output de-rating | 1.9W/°C 6.5W/°C | Between +45°C and +60°C (113°F to 140°F) Between +60°C and +70°C (140°F to 158°F) |
| Humidity | 5 to 95% r.h. | According to IEC 60068-2-30 Do not energize while condensation is present |
| Vibration sinusoidal ²⁾ | 2-17.8Hz: ±1.6mm; 17.8-500Hz: 2g 2 hours / axis | According to IEC 60068-2-6 |
| Shock ²⁾ | 30g 6ms, 20g 11ms 3 bumps / direction, 18 bumps in total | According to IEC 60068-2-27 |
| Altitude | 0 to 2000m (0 to 6 560ft) 2000 to 6000m (6 560 to 20 000ft) | Without any restrictions Reduce output power or ambient temperature, see Fig. 16-2. |
| Altitude de-rating | 15W/1000m or 5°C/1000m | Above 2000m (6500ft), see Fig. 16-2 |
| Over-voltage category | III | According to IEC 62477-1 for altitudes up to 2000m |
| | II | According to IEC 62477-1 for altitudes from 2000m to 6000m |
| Degree of pollution | 2 | According to IEC 62477-1, not conductive |
| LABS compatibility | The unit does not release any silicone or other LABS-critical substances and is suitable for use in paint shops. | |
| Corrosive gases | ISA-71.04-1985, Severity Level G3, IEC 60068-2-60 Test Ke Method 4 | |
| Audible noise | Some audible noise may be emitted from the power supply during no load, overload or short circuit. | |

- 1) Operational temperature is the same as the ambient or surrounding temperature and is defined as the air temperature 2cm below the unit.
2) Tested in combination with DIN-Rails according to EN 60715 with a height of 15mm and a thickness of 1.3mm and standard orientation.

Fig. 16-1 Output current vs. ambient temp.

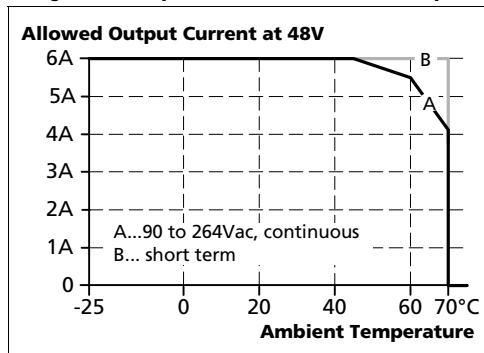
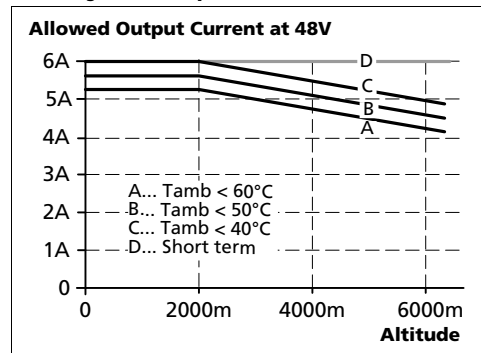


Fig. 16-2 Output current vs. altitude



17. PROTECTION FEATURES

| | | |
|--------------------------------|--|--|
| Output protection | Electronically protected against overload, no-load and short-circuits. In case of a protection event, audible noise may occur. | |
| Output over-voltage protection | Typ. 58.5Vdc Max. 60Vdc | In case of an internal power supply defect, a redundant circuit limits the maximum output voltage. The output shuts down and automatically attempts to restart. |
| Degree of protection | IP 20 | EN/IEC 60529 |
| Penetration protection | > 4mm | E.g. screws, small parts |
| Over-temperature protection | Yes | Output shut-down with automatic restart. The temperature sensor is installed on critical components inside the unit and turns the unit off in safety critical situations (e.g. de-rating requirements not observed, high ambient temperature, ventilation obstructed or the mounting orientation de-rating is not followed). There is no correlation between the operating temperature and turn-off temperature since this is dependent on input voltage, load and installation methods. |
| Input transient protection | MOV (Metal Oxide Varistor) | For protection values see chapter 15 (EMC). |
| Internal input fuse | Included | Not user replaceable slow-blow high-braking capacity fuse |

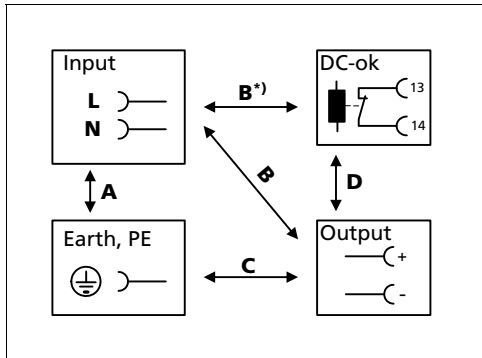
18. SAFETY FEATURES

| | | |
|---------------------------------|---|--|
| Input / output separation | Double or reinforced galvanic isolation SELV PELV | IEC/EN 60950-1 IEC/EN 60204-1, EN 62477-1, IEC 60364-4-41 |
| Class of protection | I | PE (Protective Earth) connection required |
| Isolation resistance | > 500MΩ | At delivered condition between input and output, measured with 500Vdc |
| | > 500MΩ | At delivered condition between input and PE, measured with 500Vdc |
| | > 500MΩ | At delivered condition between output and PE, measured with 500Vdc |
| | > 500MΩ | At delivered condition between output and DC-OK contacts, measured with 500Vdc |
| PE resistance | < 0.1Ω | Resistance between PE terminal and the housing in the area of the DIN-rail mounting bracket. |
| Touch current (leakage current) | Typ. 0.14mA / 0.36mA | At 100Vac, 50Hz, TN-,TT-mains / IT-mains |
| | Typ. 0.20mA / 0.50mA | At 120Vac, 60Hz, TN-,TT-mains / IT-mains |
| | Typ. 0.33mA / 0.86mA | At 230Vac, 50Hz, TN-,TT-mains / IT-mains |
| | Max. 0.18mA / 0.43mA | At 110Vac, 50Hz, TN-,TT-mains / IT-mains |
| | Max. 0.26mA / 0.61mA | At 132Vac, 60Hz, TN-,TT-mains / IT-mains |
| | Max. 0.44mA / 1.05mA | At 264Vac, 50Hz, TN-,TT-mains / IT-mains |

19. DIELECTRIC STRENGTH

The output voltage is floating and has no ohmic connection to the ground. Type and factory tests are conducted by the manufacturer. Field tests may be conducted in the field using the appropriate test equipment which applies the voltage with a slow ramp (2s up and 2s down). Connect all input-terminals together as well as all output poles before conducting the test. When testing, set the cut-off current settings to the value in the table below.

Fig. 19-1 Dielectric strength












| | | A | B | C | D |
|-------------------------|-----|----------|----------|----------|----------|
| Type test | 60s | 2500Vac | 4000Vac | 1000Vac | 500Vac |
| Factory test | 5s | 2500Vac | 2500Vac | 500Vac | 500Vac |
| Field test | 5s | 2000Vac | 2000Vac | 500Vac | 500Vac |
| Cut-off current setting | | > 10mA | > 10mA | > 20mA | > 1mA |



To fulfil the PELV requirements according to EN60204-1 § 6.4.1, we recommend that either the + pole, the - pole or any other part of the output circuit shall be connected to the protective earth system. This helps to avoid situations in which a load starts unexpectedly or can not be switched off when unnoticed earth faults occur.

B*) When testing input to DC-OK ensure that the max. voltage between DC-OK and the output is not exceeded (column D). We recommend connecting DC-OK pins and the output pins together when performing the test.

20. APPROVALS

| | | |
|---|--|---|
| EC Declaration of Conformity |  | The CE mark indicates conformance with the - EMC directive, - Low-voltage directive (LVD) and the - ATEX directive |
| IEC 60950-1 2 nd Edition |  | CB Scheme, Information Technology Equipment |
| UL 508 |  | Listed for use as Industrial Control Equipment; U.S.A. (UL 508) and Canada (C22.2 No. 107-1-01); E-File: E198865 |
| UL 60950-1 2 nd Edition |  | Recognized for use as Information Technology Equipment, Level 5; U.S.A. (UL 60950-1) and Canada (C22.2 No. 60950-1); E-File: E137006 Applicable for altitudes up to 2000m. |
| ANSI / ISA 12.12.01-2015 Class I Div 2 |  | Recognized for use in Hazardous Location Class I Div 2 T4 Groups A,B,C,D systems; U.S.A. (ANSI / ISA 12.12.01-2015) and Canada (C22.2 No. 213-M1987) |
| EN 60079-0, EN 60079-15 ATEX |  II 3G Ex nA nC IIC T4 Gc | Approval for use in hazardous locations Zone 2 Category 3G. Number of ATEX certificate: EPS 15 ATEX 1 101 X The power supply must be built-in in an IP54 enclosure. |
| IEC 60079-0, IEC 60079-15 |  | Suitable for use in Class 1 Zone 2 Groups IIa, IIb and IIc locations. Number of IECEx certificate: IECEx EPS 15.0079X |
| Marine |  | GL (Germanischer Lloyd) classified Environmental category: C, EMC2 Marine and offshore applications |
| EAC TR Registration |  | Registration for the Eurasian Customs Union market (Russia, Kazakhstan, Belarus) |

21. OTHER FULFILLED STANDARDS

| | | |
|---------------------------------|---|---|
| RoHS Directive |  | Directive 2011/65/EU of the European Parliament and the Council of June 8 th , 2011 on the restriction of the use of certain hazardous substances in electrical and electronic equipment. |
| REACH Directive |  | Directive 1907/2006/EU of the European Parliament and the Council of June 1 st , 2007 regarding the Registration, Evaluation, Authorisation and Restriction of Chemicals (REACH) |
| IEC/EN 61558-2-16 (Annex BB) | Safety Isolating Transformer | Safety Isolating Transformers corresponding to Part 2-6 of the IEC/EN 61558 |

22. PHYSICAL DIMENSIONS AND WEIGHT

| | |
|-------------------------|--|
| Width | 39mm 1.54" |
| Height | 124mm 4.88" |
| Depth | 117mm 4.61" The DIN-rail height must be added to the unit depth to calculate the total required installation depth. |
| Weight | 600g / 1.3lb |
| DIN-Rail | Use 35mm DIN-rails according to EN 60715 or EN 50022 with a height of 7.5 or 15mm. |
| Housing material | Body: Aluminium alloy Cover: zinc-plated steel |
| Installation clearances | See chapter 2 |

Fig. 22-1
Front view

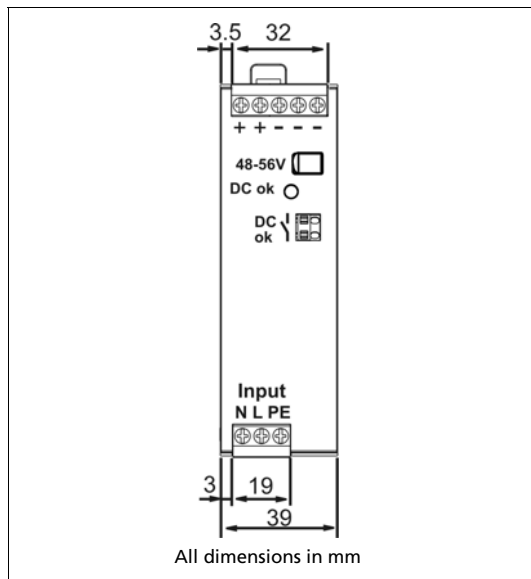
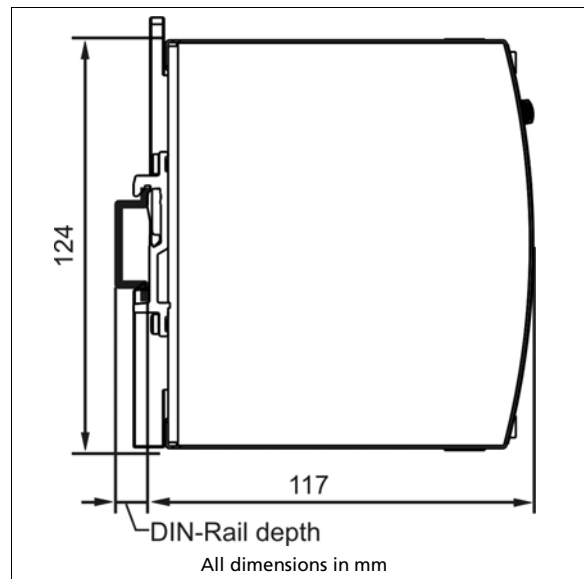


Fig. 22-2
Side view



23. ACCESSORIES

23.1. ZM4.WALL – WALL/PANEL MOUNT BRACKET

This bracket is used to mount the devices on a wall/panel without utilizing a DIN-Rail. The bracket can be mounted without detaching the DIN-rail brackets.

Fig. 23-1 Isometric view

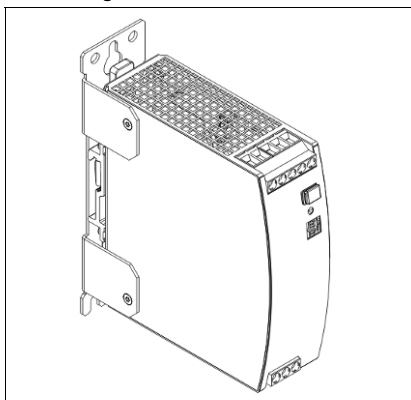


Fig. 23-2 Isometric view

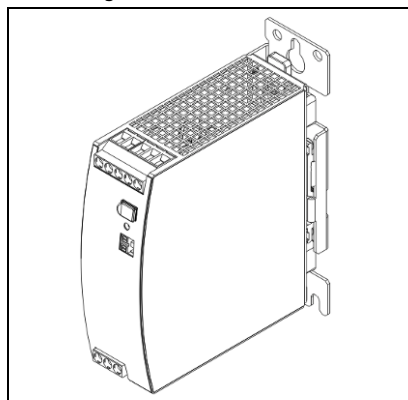


Fig. 23-3 Isometric view

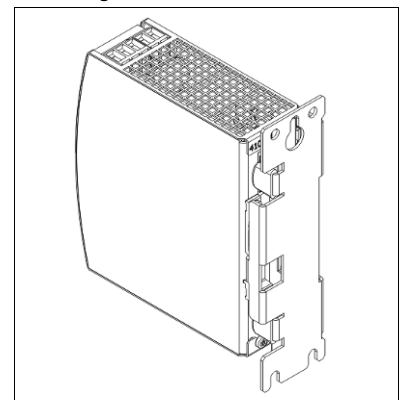


Fig. 23-4 Wall/panel mounting, front view

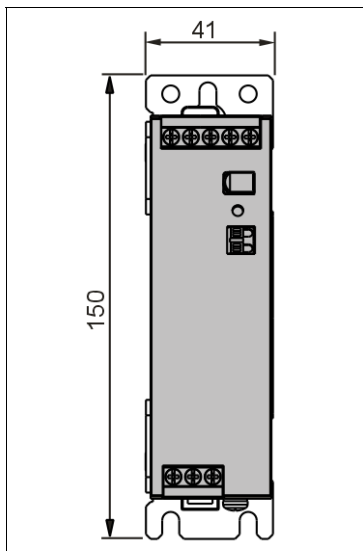


Fig. 23-5 Hole pattern for wall mounting

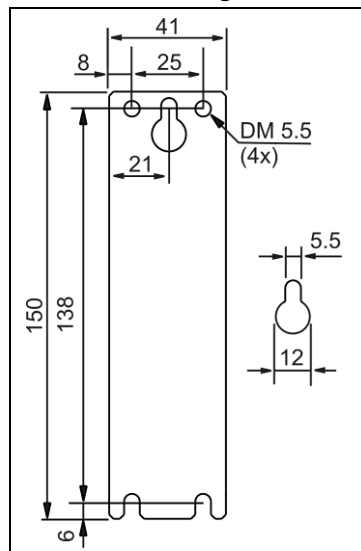
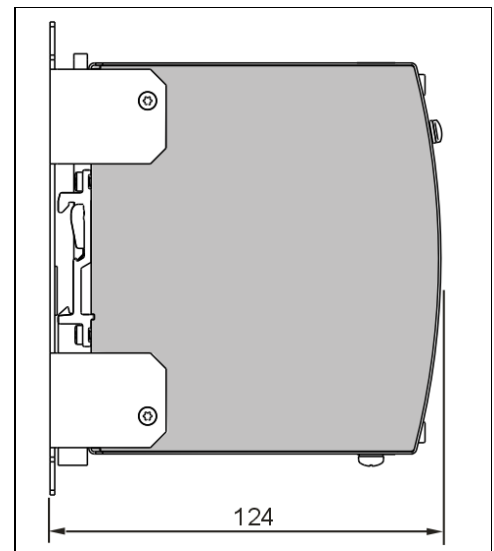


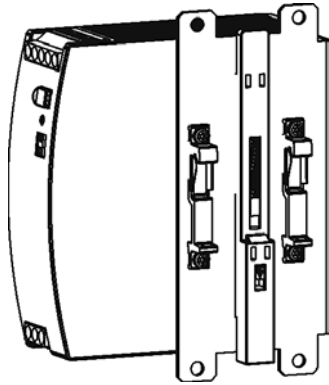
Fig. 23-6 Wall/panel mounting, side view



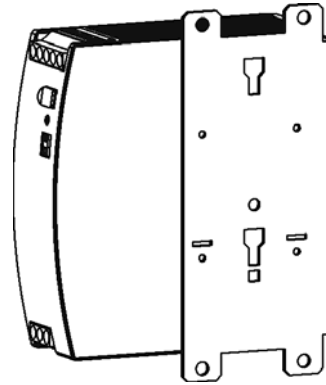
23.2. ZM12.SIDE - SIDE MOUNTING BRACKET

This bracket is used to mount DIMENSION units sideways with or without utilizing a DIN-Rail. The two aluminum brackets and the black plastic slider of the unit have to be detached, so that the steel brackets can be mounted.

For sideways DIN-rail mounting, the removed aluminum brackets and the black plastic slider need to be mounted on the steel bracket.



Side mounting with DIN-rail brackets



Side mounting without DIN-rail brackets

23.3. REDUNDANCY MODULES

YR2.DIODE – 2x 10A Inputs, 1x 20A output



The YR2.DIODE is a dual redundancy module, which has two diodes as decoupling devices included. It can be used for various purposes. The most popular application is to configure highly reliable and true redundant power supply systems. Another interesting application is the separation of sensitive loads from non-sensitive loads. This avoids the distortion of the power quality for the sensitive loads which can cause controller failures.

The YR2.DIODE does not require an additional auxiliary voltage and is self-powered even in case of a short circuit across the output.

The unit is very slender and only requires 32mm width on the DIN-rail.

YR40.482 – 2x 20A Inputs, 1x 40A output



The YR40.482 is equipped with two input channels, which are individually decoupled by utilizing MOSFET technology. Using MOSFETs instead of diodes reduces the heat generation and the voltage drop between input and output. The YR40.482 does not require an additional auxiliary voltage and is self-powered even in case of a short circuit across the output.

Due to the low power losses, the unit is very slender and only requires 46mm width on the DIN-rail.

Fig. 23-7 Typical 1+1 Redundant configuration for 5A with the YR2.DIODE redundancy module

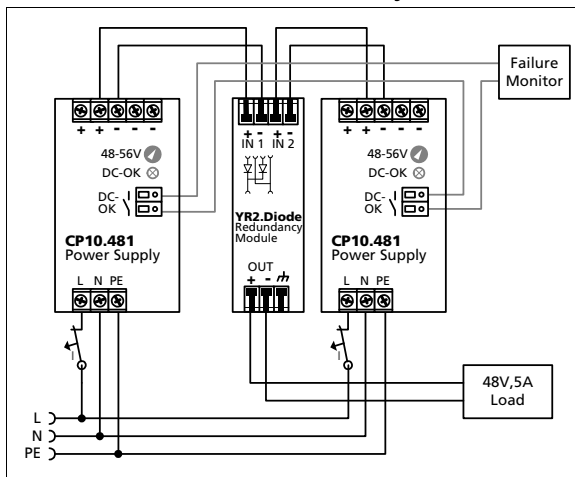
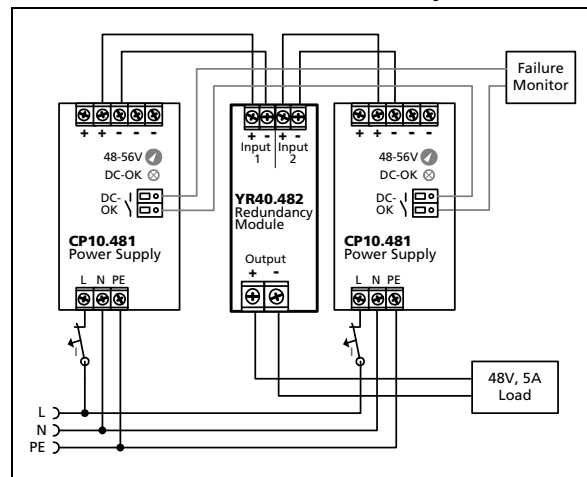


Fig. 23-8 Typical 1+1 Redundant configuration for 5A with the YR40.482 MOSFET redundancy module



24. APPLICATION NOTES

24.1. PEAK CURRENT CAPABILITY

The unit can deliver peak currents (up to several milliseconds) which are higher than the specified short term currents. This helps to start current demanding loads. Solenoids, contactors and pneumatic modules often have a steady state coil and a pick-up coil. The inrush current demand of the pick-up coil is several times higher than the steady-state current and usually exceeds the nominal output current (including the PowerBoost). The same situation applies when starting a capacitive load.

The peak current capability also ensures the safe operation of subsequent circuit breakers of load circuits. The load branches are often individually protected with circuit breakers or fuses. In case of a short or an overload in one branch circuit, the fuse or circuit breaker need a certain amount of over-current to open in a timely manner. This avoids voltage loss in adjacent circuits.

The extra current (peak current) is supplied by the power converter and the built-in large sized output capacitors of the power supply. The capacitors get discharged during such an event, which causes a voltage dip on the output. The following two examples show typical voltage dips for resistive loads:

Fig. 24-1 **10.8A peak current for 50ms , typ. (2x the nominal current)**

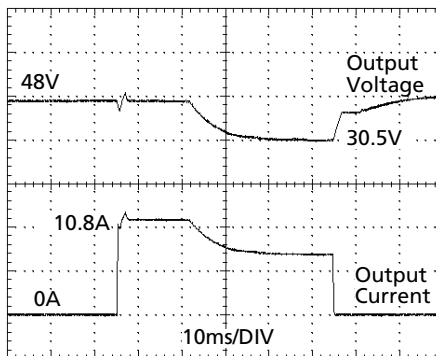


Fig. 24-2 **27A peak current for 5ms , typ. (5x the nominal current)**

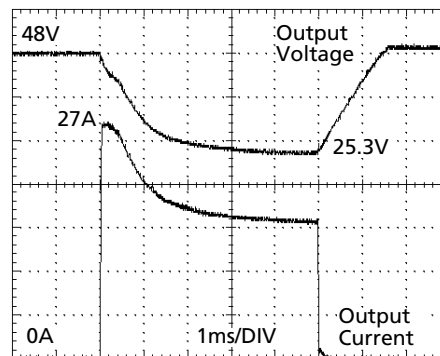
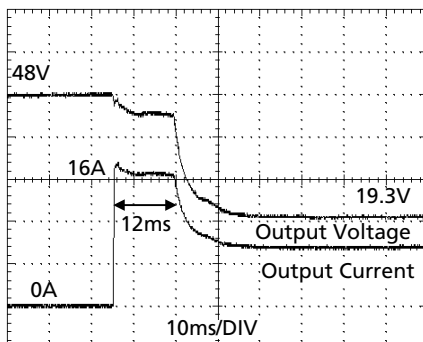


Fig. 24-3 **16A peak current for 12ms , typ. (3x the nominal current)**



Please note: The DC-OK relay triggers when the voltage dips more than 10% for longer than 1ms.

| | | |
|---------------------------|-----------------------------|-----------------------------------|
| Peak current voltage dips | Typically from 48V to 30.5V | At 10.8A for 50ms, resistive load |
| | Typically from 48V to 30.0V | At 27A for 2ms, resistive load |
| | Typically from 48V to 25.3V | At 27A for 5ms, resistive load |

24.2. BACK-FEEDING LOADS

Loads such as decelerating motors and inductors can feed voltage back to the power supply. This feature is also called return voltage immunity or resistance against Back- E.M.F. (Electro Magnetic Force).

This power supply is resistant and does not show malfunctioning when a load feeds back voltage to the power supply. It does not matter whether the power supply is on or off.

The maximum allowed feed-back-voltage is 63Vdc. The maximum allowed feed-back peak current is 21A. Higher currents can temporarily shut-down the output voltage. The absorbing energy can be calculated according to the built-in large sized output capacitor which is specified in chapter 6.

24.3. EXTERNAL INPUT PROTECTION

The unit is tested and approved for branch circuits up to 30A (UL) and 32A (IEC). An external protection is only required if the supplying branch has an ampacity greater than this. Check also local codes and local requirements. In some countries local regulations might apply.

If an external fuse is necessary or utilized, minimum requirements need to be considered to avoid nuisance tripping of the circuit breaker. A minimum value of 6A B- or C-Characteristic breaker should be used.

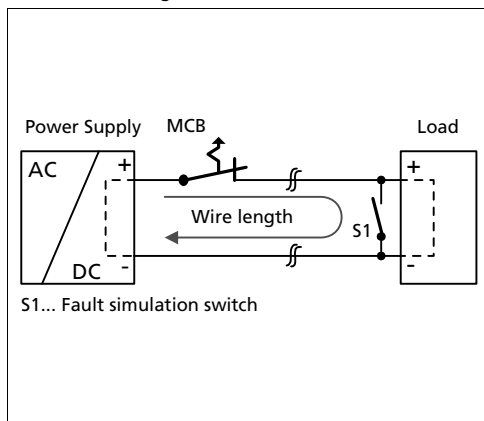
24.4. OUTPUT CIRCUIT BREAKERS

Standard miniature circuit breakers (MCB's or UL 1077 circuit breakers) are commonly used for AC-supply systems and may also be used on 48V branches.

MCB's are designed to protect wires and circuits. If the ampere value and the characteristics of the MCB are adapted to the wire size that is used, the wiring is considered as thermally safe regardless of whether the MCB opens or not.

To avoid voltage dips and under-voltage situations in adjacent 48V branches which are supplied by the same source, a fast (magnetic) tripping of the MCB is desired. A quick shutdown within 10ms is necessary corresponding roughly to the ride-through time of PLC's. This requires power supplies with high current reserves and large output capacitors. Furthermore, the impedance of the faulty branch must be sufficiently small in order for the current to actually flow. The best current reserve in the power supply does not help if Ohm's law does not permit current flow. The following table has typical test results showing which B- and C-Characteristic MCBs magnetically trip depending on the wire cross section and wire length.

Fig. 24-4 Test circuit



Maximal wire length^{*)} for a fast (magnetic) tripping:

| | 0.75mm ² | 1.0mm ² | 1.5mm ² | 2.5mm ² |
|-------------|---------------------|--------------------|--------------------|--------------------|
| C-2A | 42m | 49m | 59m | 109m |
| C-3A | 13m | 24m | 28m | 42m |

*) Don't forget to consider twice the distance to the load (or cable length) when calculating the total wire length (+ and - wire).

24.5. PARALLEL USE TO INCREASE OUTPUT POWER

CP10.481 power supplies can be paralleled to increase the output power. The output voltage of all power supplies shall be adjusted to the same value ($\pm 100\text{mV}$) with the same load conditions on all units, or the units can be left with the factory settings. There is no feature included which balances the load current between the power supplies. Usually the power supply with the higher adjusted output voltage draws current until it goes into current limitation. This means no harm to this power supply as long as the ambient temperature stays below 40°C .

If more than three units are connected in parallel, a fuse or circuit breaker with a rating of 10A or 12A is required on each output. Alternatively, a diode or redundancy module can also be utilized.

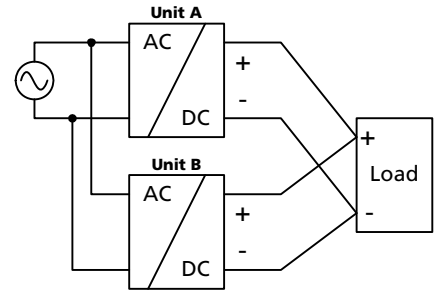
Energize all units at the same time to avoid the overload Hiccup^{PLUS} mode. It also might be necessary to cycle the input power (turn-off for at least five seconds), if the output was in Hiccup^{PLUS} mode due to overload or short circuits and the required output current is higher than the current of one unit.

Restrictions:

Keep an installation clearance of 15mm (left / right) between two power supplies and avoid installing the power supplies on top of each other.

Do not use power supplies in parallel in mounting orientations other than the standard mounting orientation (terminals on bottom of the unit) or in any other condition where a derating of the output current is required (e.g. altitude, ...).

Pay attention that leakage current, EMI, inrush current, harmonics will increase when using multiple power supplies.



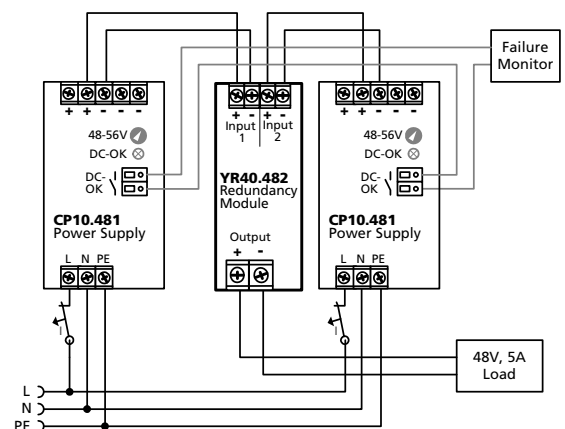
24.6. PARALLEL USE FOR REDUNDANCY

Power supplies can be paralleled for redundancy to gain higher system availability. Redundant systems require a certain amount of extra power to support the load in case one power supply unit fails. The simplest way is to put two decoupled power supplies in parallel. This is called a 1+1 redundancy. In case one power supply unit fails, the other one is automatically able to support the load current without any interruption. Redundant systems for a higher power demand are usually built in a N+1 method. E.g. five power supplies, each rated for 5A are paralleled to build a 20A redundant system. For N+1 redundancy the same restrictions apply as for increasing the output power, see also chapter 24.5.

Please note: Always use a redundancy module to decouple power supplies from each other. This prevents that the defective unit becomes a load for the other power supplies and the output voltage cannot be maintained any more. Further information and wiring configurations can be found in chapter 23.3.

Recommendations for building redundant power systems:

- Use separate input fuses for each power supply.
- Monitor the individual power supply units. Therefore, use the DC-OK relay contact of the CP10 power supply.
- It is desirable to set the output voltages of all units to the same value ($\pm 100\text{mV}$) or leave it at the factory setting.



24.7. SERIES OPERATION

Power supplies of the same type can be connected in series for higher output voltages. It is possible to connect as many units in series as needed, providing the sum of the output voltage does not exceed 150Vdc. Voltages with a potential above 60Vdc are not SELV any more and can be dangerous. Such voltages must be installed with a protection against touching.

Earthing of the output is required when the sum of the output voltage is above 60Vdc.

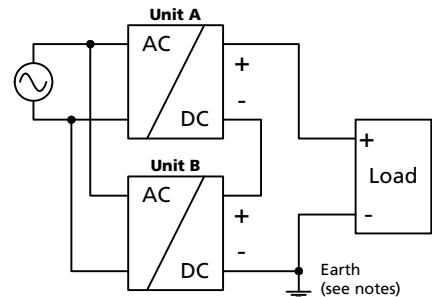
Avoid return voltage (e.g. from a decelerating motor or battery) which is applied to the output terminals.

Restrictions:

Keep an installation clearance of 15mm (left / right) between two power supplies and avoid installing the power supplies on top of each other.

Do not use power supplies in series in mounting orientations other than the standard mounting orientation (terminals on bottom of the unit).

Pay attention that leakage current, EMI, inrush current, harmonics will increase when using multiple power supplies.



24.8. INDUCTIVE AND CAPACITIVE LOADS

The unit is designed to supply any kind of loads, including capacitive and inductive loads. If extreme large capacitors, such as EDLCs (electric double layer capacitors or "UltraCaps") with a capacitance larger than 0.5F are connected to the output, the unit might charge the capacitor in the Hiccup^{PLUS} mode (see chapter 6).

24.9. CHARGING OF BATTERIES

The power supply can be used to charge lead-acid or maintenance free batteries (SLA or VRLA batteries). Four 12V batteries are needed in series.

Instructions for charging batteries:

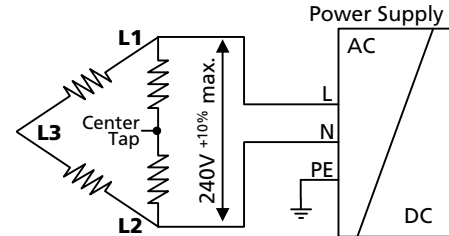
- Set output voltage (measured at no load and at the battery end of the cable) very precisely to the end-of-charge voltage.

| | | | | |
|-----------------------|-------|-------|-------|-------|
| End-of-charge voltage | 55.6V | 55.0V | 54.3V | 53.6V |
| Battery temperature | 10°C | 20°C | 30°C | 40°C |

- Use a 10A or 12A circuit breaker (or blocking diode) between the power supply and the battery.
- Ensure that the output current of the power supply is below the allowed charging current of the battery.
- Use only matched batteries when putting 12V types in series.
- Ensure that the ambient temperature of the power supply stays below 40°C.
- The return current to the power supply (battery discharge current is typ. 1.8mA when the power supply is switched off (except in case a blocking diode is utilized).

24.10. OPERATION ON TWO PHASES

The power supply can also be used on two-phases of a three-phase-system. Such a phase-to-phase connection is allowed as long as the supplying voltage is below 240V^{+10%}.



24.11. USE IN A TIGHTLY SEALED ENCLOSURE

When the power supply is installed in a tightly sealed enclosure, the temperature inside the enclosure will be higher than outside. In such situations, the inside temperature defines the ambient temperature for the power supply. The following measurement results can be used as a reference to estimate the temperature rise inside the enclosure. The power supply is placed in the middle of the box, no other heat producing items are inside the box. The temperature sensor inside the box is placed in the middle of the right side of the power supply with a distance of 1cm.

| | Case A | Case B | Case C | Case D |
|-----------------------------|--|--|--|--|
| Enclosure size | 110x180x165mm Rittal Typ IP66 Box PK 9516 100, plastic | 110x180x165mm Rittal Typ IP66 Box PK 9516 100, plastic | 180x180x165mm Rittal Typ IP66 Box PK 9519 100, plastic | 180x180x165mm Rittal Typ IP66 Box PK 9519 100, plastic |
| Input voltage | 230Vac | 230Vac | 230Vac | 230Vac |
| Load | 48V, 4.3A; (=80%) | 48V, 5.4A; (=100%) | 48V, 4.3A; (=80%) | 48V, 5.4A; (=100%) |
| Temperature inside the box | 43.7°C | 48.6°C | 40.9°C | 45.0°C |
| Temperature outside the box | 24.1°C | 25.4°C | 23.9°C | 25.0°C |
| Temperature rise | 19.6K | 23.2K | 17.0K | 20.0K |

24.12. MOUNTING ORIENTATIONS

Mounting orientations other than all terminals on the bottom require a reduction in continuous output power or a limitation in the maximum allowed ambient temperature. The amount of reduction influences the lifetime expectancy of the power supply. Therefore, two different derating curves for continuous operation can be found below:

Curve A1 Recommended output current.

Curve A2 Max allowed output current (results in approximately half the lifetime expectancy of A1).

Fig. 24-5
Mounting Orientation A
(Standard orientation)

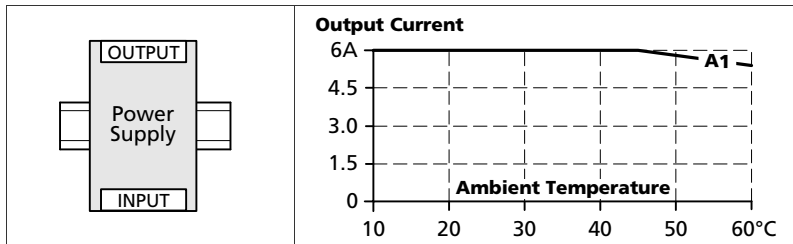


Fig. 24-6
Mounting Orientation B
(Upside down)

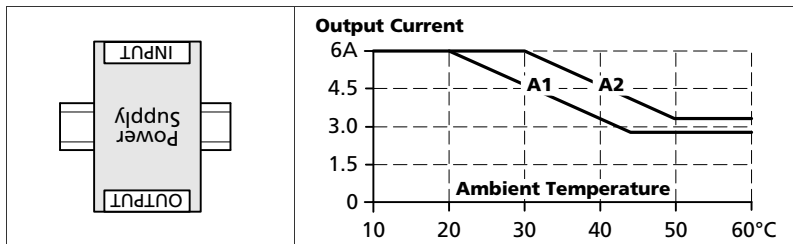


Fig. 24-7
Mounting Orientation C
(Table-top mounting)

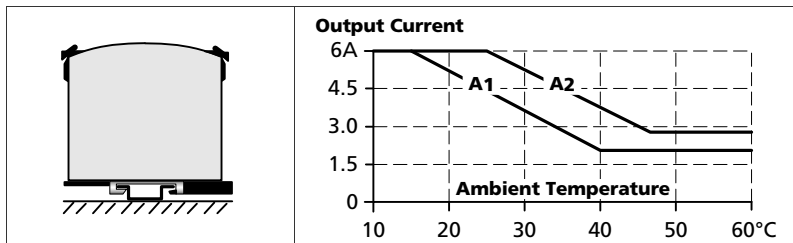


Fig. 24-8
Mounting Orientation D
(Horizontal cw)

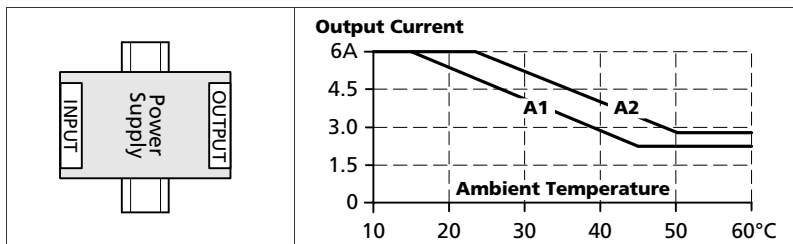


Fig. 24-9
Mounting Orientation E
(Horizontal ccw)

