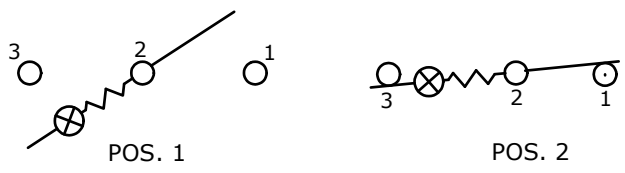
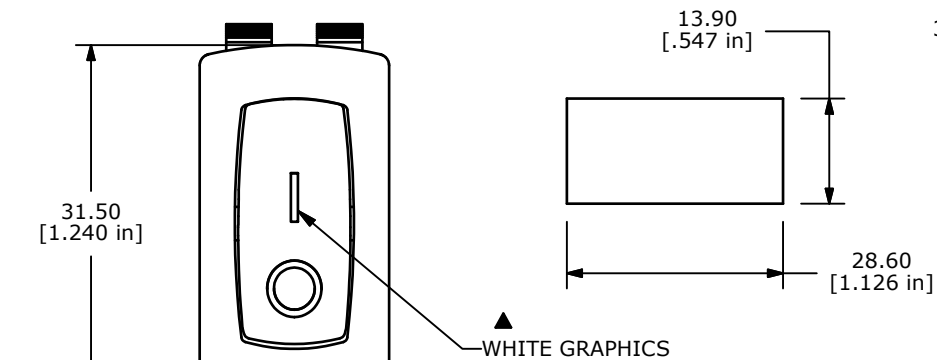
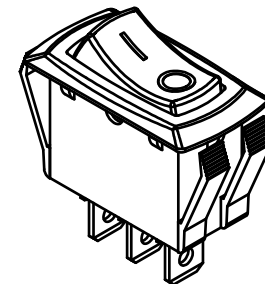


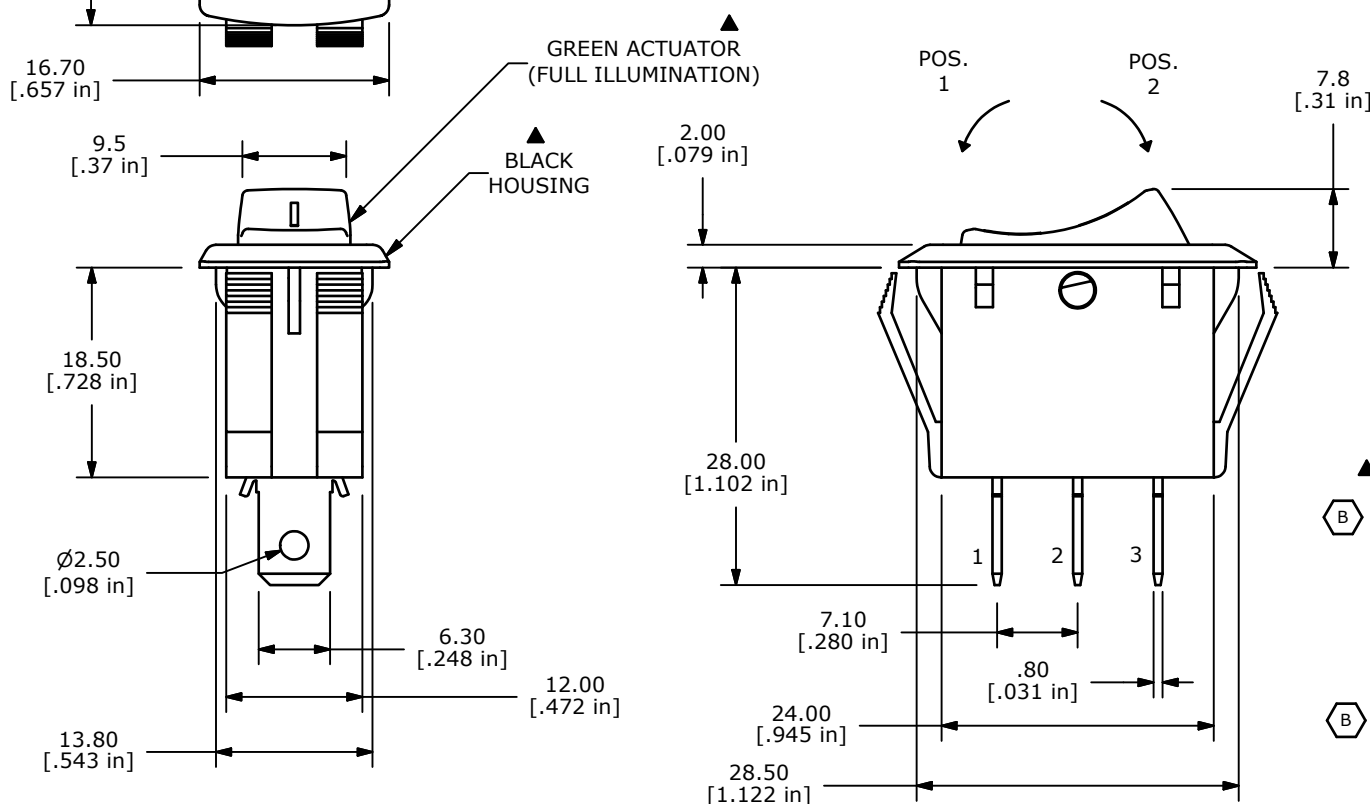
SUGGESTED PANEL CUTOUT



CIRCUIT: SPST  
OFF - ON B



ISOMETRIC



- NOTES:
1. ALL DIMENSIONS IN MM [INCH]
  2. GENERAL TOLERANCE: X.X=±0.4  
X.XX=±0.25
  3. TERM. NOS. FOR REF. ONLY
  - ▲ 4. RATING: 20A @125VAC;  
16A @250VAC.
  - B 5. MATERIAL:  
CONTACT SURFACE: SILVER PLATED COPPER  
CIRCUIT TERMINAL: BRASS ALLOY w/SILVER PLATE  
LED TERMINAL: BRASS
  6. ELECTRICAL LIFE: 10,000 CYCLES MIN.
  7. CONTACT RESISTANCE: 20 Milli-OHMS MAX.
  8. OPERATING TEMP: -20°C TO 85°C
  9. DIELECTRIC STRENGTH: >1,000V AC 1MIN
  - B 10. LAMP VOLTAGE: 250V NEON BULB
  11. ▲ DENOTES CRITICAL PARAMETER.
  12. 2002/95/EC (ROHS) COMPLIANT.



B	20286	CORRECT CIRCUIT AND NOTES	11/15/11	BMA
A	19014	Release For Production	4/14/10	BLR
REV	PCR NO	DESCRIPTION	DATE	BY

TITLE RSC191D1021-137				
SCALE	DATE	DR	DWG	REV
1.5	4/14/2010	BLR	14-RSC191D1021137	B

THE INFORMATION CONTAINED IN THIS DOCUMENT IS PROPRIETARY TO E-SWITCH AND IS NOT TO BE COPIED OR TRANSFERRED