

OV2770 full HD (1080p) product brief



Exceptional Low-Light Sensitivity and 1080p High Definition Video for Mainstream Security Applications



available in
a lead-free
package

OmniVision's OV2770 is a native 16:9 high definition (HD) CameraChip™ sensor that delivers exceptional low-light sensitivity, high dynamic range (HDR), and 1080p HD video. These capabilities make the OV2770 an ideal camera solution for mainstream security and surveillance systems.

Built on advanced 2.8-micron OmniBSI-2™ pixel architecture, the sensor can record 1080p HD video at 30 frames per second (fps) in HDR mode. The 1/2.9-inch

OV2770 leverages OmniVision's in-pixel HDR technology to capture exceptional images and video when recording in high- and low-light environments, a critical benefit for security and surveillance cameras.

The OV2770 is available in a 6.5 x 5.7 mm chip scale package (CSP).

Find out more at www.ovt.com.



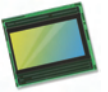
Applications

- Security and Surveillance Cameras
- Smart Home
- Video Applications

Product Features

- support for image size:
 - 1920 x 1080
 - VGA
 - QVGA, and any cropped size
- high dynamic range
- high sensitivity
- low power consumption
- image sensor processor functions:
 - lens correction
 - defective pixel cancelation
 - HDR combination
 - automatic black level correction
- supported output formats: RAW
- horizontal and vertical sub-sampling
- SCCB for register programming
- high speed serial data transfer with MIPI CSI-2/LVDS
- parallel 12-bit DVP output
- external frame synchronization capability
- embedded temperature sensor
- one time programmable (OTP) memory

OV2770



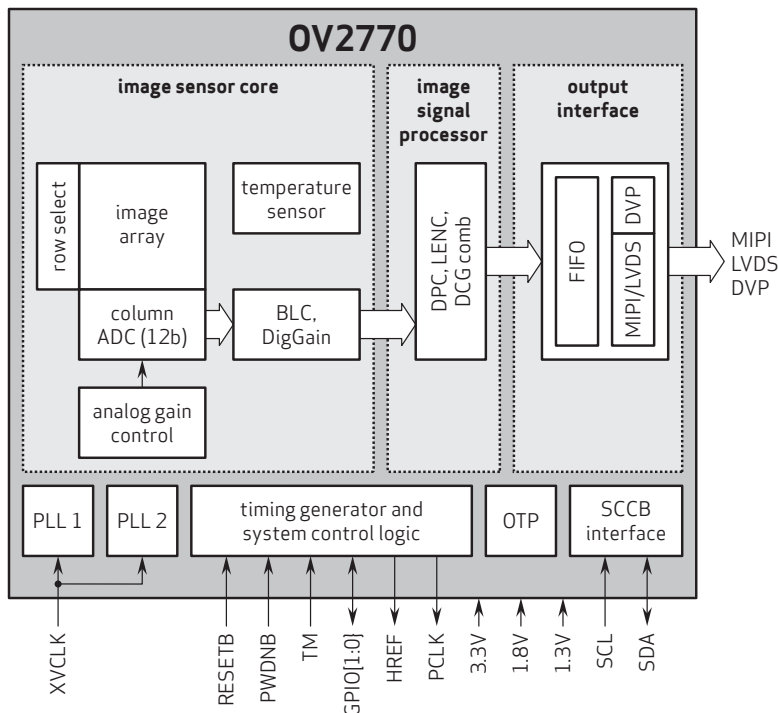
Ordering Information

- OV02770-H77A-1C (color, lead-free, 77-pin CSP)
- OV02770-H77A-MC (color, lead-free, 77-pin CSP packed in tray with protective film)

Product Specifications

- **active array size:** 1920 x 1080
- **power supply:**
 - analog: 3.14 - 3.47V
 - digital: 1.2 - 1.4V
 - DVDD: 1.7 - 1.9V
 - AVDD: 1.7 - 1.9V
- **power requirements:**
 - active: 395 mW
 - software standby: 20 mW
- **temperature range:**
 - operating: -30°C to +85°C junction temperature
- **output interfaces:** up to 4-lane MIPI CSI-2/LVDS, 12-bit DVP
- **input clock frequency:** 6 - 36 MHz
- **lens size:** 1/2.9"
- **lens chief ray angle:** 15°
- **scan mode:** progressive
- **shutter:** rolling shutter
- **output formats:** linear - 12-bit RAW, 10-bit compressed RAW; single exposure HDR - 16-bit combined RAW, 12-bit compressed combined RAW, 2x12-bit RAW; dual exposure HDR - 16-bit combined RAW + 12-bit VS RAW, 12-bit compressed combined RAW + 12-bit VS RAW, 3x12 bit RAW, 3x10 bit combined RAW, 12-bit (10-bit) RAW (HCG or LCG) + 12-bit (10-bit) VS
- **maximum image transfer rate:** 30 fps
- **sensitivity:** 26200 e⁻/lux.sec @ 530 nm
- **max S/N ratio:** 42.6 dB
- **dynamic range:** 120 dB
- **pixel size:** 2.8 μm x 2.8 μm
- **image area:** 5482.35 μm x 3202 μm
- **package dimensions:** 6544 μm x 5734 μm

Functional Block Diagram



4275 Burton Drive
Santa Clara, CA 95054
USA

Tel: + 1 408 567 3000
Fax: + 1 408 567 3001
www.ovt.com

OmniVision reserves the right to make changes to their products or to discontinue any product or service without further notice. OmniVision and the OmniVision logo are registered trademarks of OmniVision Technologies, Inc. CameraChip and OmniBSI-2 are trademarks of OmniVision Technologies, Inc. All other trademarks are the property of their respective owners.



OmniVision