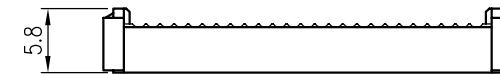
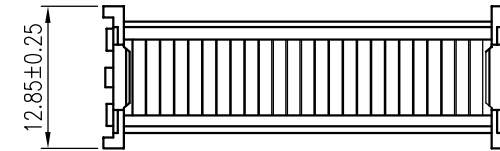
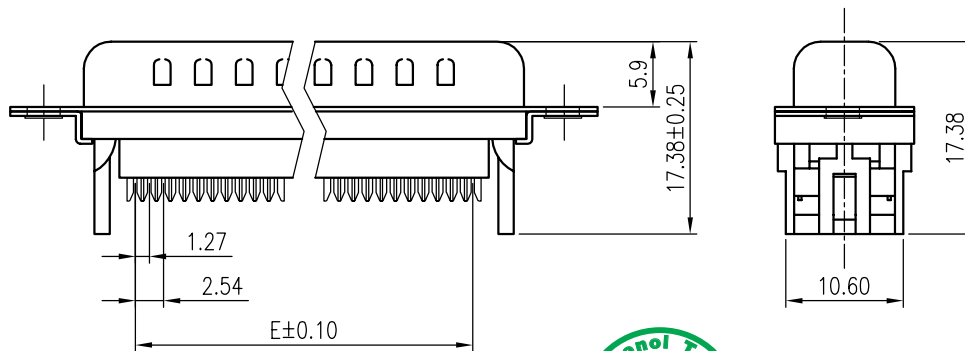
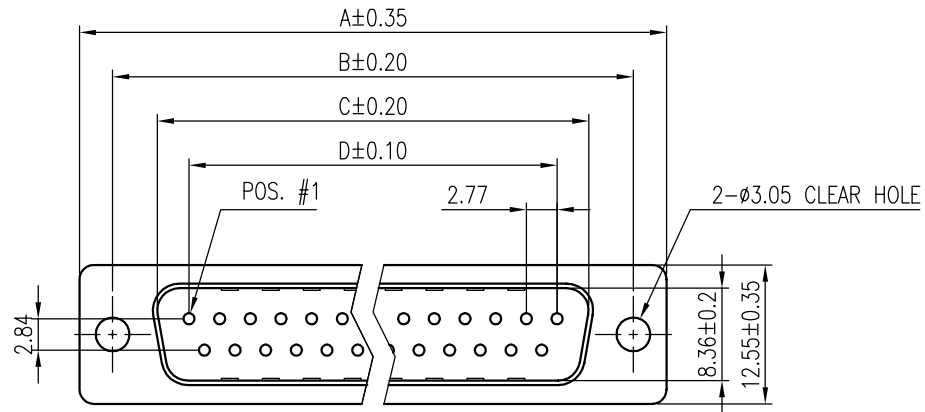


This document is the property of Amphenol Corporation and is delivered on the express condition that it is not to be disclosed, reproduced or used, in whole or in part, for manufacture or sale by anyone other than Amphenol Corporation without its prior consent, and that no right is granted to disclose or to use any information in this document.

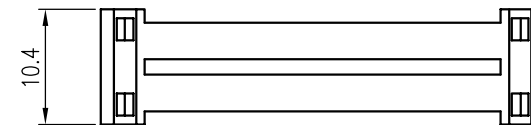
CUSTOMER DRAWING

ORIGINAL

REVISIONS				
SYM	ECN No.	DESCRIPTION	DATE	APPROVED
A		RELEASE FOR RoHS	12/15/2005	Henry Ko



IDC COVER



STRAIN RELIEF

NOTES:

1. INSULATOR: PBT, UL 94V-0, COLOR- BLACK
2. CONTACT: BRASS, SELECTIVE GOLD PLATED
3. SHELL: STEEL, TIN OR NICKEL OR ZINC CHROMATED PLATED
4. THIS PRODUCT DOESN'T CONTAIN ENVIRONMENTAL HAZARDOUS MATERIAL PER DIRECTIVE 2002/95/EC FOR RoHS.



NO. OF POS.	A	B	C	D	E
37	69.40	63.50	55.42	49.86	45.72
25	53.05	47.04	38.96	33.24	30.48
15	39.20	33.32	25.50	19.39	17.78
9	30.80	24.99	16.92	11.08	10.16

TOLERANCE m/m x. ±0.30 x.x ±0.25 x.xx ±0.15 x.xxx ±0.08 ANGULAR ±2° UNLESS OTHERWISE SPECIFIED	APPROVALS	DATE	TITLE G17K SERIES FLAT RIBBON CABLE IDC D-SUB, PLUG MATEL SHELL	 Amphenol Corporation Amphenol Taiwan Corporation	SCALE	N.A.	SHEET	1 OF 1
	DRAWN	12/15/05			DRAWING NO.	REV.		
	CHECKED	12/15/05			G17K XX1X X001 EU	A		
	APPROVED	12/15/05			DSUB-G17KXX1XX001EU-25	A		

