

### FEATURES

- Adjustable or Fixed Output  
1.5V, 2.5V, 2.85V, 3.0V, 3.3V, 3.5V and 5.0V
- Output Current of 1.5A
- Low Dropout, 500mV at 1.5A Output Current
- Fast Transient Response
- Remote Sense

### APPLICATIONS

- High Current Regulators
- Post Regulators for Switching Supplies
- Adjustable Power Supply
- Notebook/Personal Computer Supplies

### GENERAL DESCRIPTION

The AMS1501 series of adjustable and fixed low dropout voltage regulators are designed to provide 1.5A output current to power the new generation of microprocessors. The dropout voltage of the device is 100mV at light loads and rising to 500mV at maximum output current. A second low current input voltage 1V or greater than the output voltage is required to achieve this dropout. The AMS1501 can also be used as a single supply device.

New features have been added to the AMS1501: a remote Sense pin is brought out virtually eliminating output voltage variations due to load changes. The typical load regulation, measured at the Sense pin, for a load current step of 100mA to 1.5A is less than 1mV.

The AMS1501 series has fast transient response. The Adjust pin is brought out on fixed devices. To further improve the transient response the addition of a small capacitor on the Adjust pin is recommended.

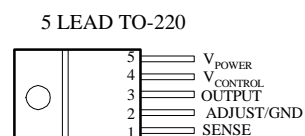
The AMS1501 series are ideal for generating power supplies of 2V to 3V where both 5V and 3.3V supplies are available.

The AMS1501 devices are offered in 5 lead TO-220 and TO-263 (plastic DD) packages and in the 7 lead TO-220 package.

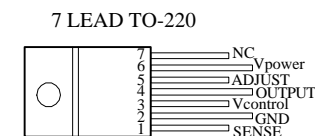
### ORDERING INFORMATION:

PACKAGE TYPE			OPERATING JUNCTION TEMPERATURE RANGE
5 LEAD TO-263	5 LEAD TO-220	7 LEAD TO-220	
AMS1501CM	AMS1501CT	AMS1501CT-1.5	0 to 125° C
AMS1501CM-1.5	AMS1501CT-1.5	AMS1501CT-2.5	0 to 125° C
AMS1501CM-2.5	AMS1501CT-2.5	AMS1501CT-2.85	0 to 125° C
AMS1501CM-2.85	AMS1501CT-2.85	AMS1501CT-3.0	0 to 125° C
AMS1501CM-3.0	AMS1501CT-3.0	AMS1501CT-3.3	0 to 125° C
AMS1501CM-3.3	AMS1501CT-3.3	AMS1501CT-3.5	0 to 125° C
AMS1501CM-3.5	AMS1501CT-3.5	AMS1501CT-5.0	0 to 125° C
AMS1501CM-5.0	AMS1501CT-5.0		0 to 125° C

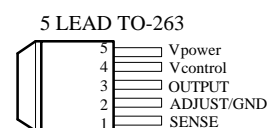
### PIN CONNECTIONS



FRONT VIEW



FRONT VIEW



FRONT VIEW

## ABSOLUTE MAXIMUM RATINGS (Note 1)

V <sub>POWER</sub> Input Voltage	7V
V <sub>CONTROL</sub> Input Voltage	13V
Operating Junction Temperature	
Control Section	0°C to 125°C
Power Transistor	0°C to 150°C
Storage temperature	- 65°C to +150°C

## Soldering information

Lead Temperature (10 sec)	300°C
Thermal Resistance	
TO-220 package	$\phi_{JA} = 50^\circ\text{C/W}$
TO-263 package	$\phi_{JA} = 30^\circ\text{C/W}^*$
* With package soldering to 0.5in <sup>2</sup> copper area over backside ground plane or internal power plane $\phi_{JA}$ can vary from 20°C/W to >40°C/W depending on mounting technique.	

## ELECTRICAL CHARACTERISTICS

Electrical Characteristics at I<sub>LOAD</sub> = 0 mA, and T<sub>J</sub> = +25°C unless otherwise specified.

Parameter	Device	Conditions	Min Typ Max			Units
Reference Voltage	AMS1501	V <sub>CONTROL</sub> = 2.75V, V <sub>POWER</sub> = 2V, I <sub>LOAD</sub> = 10mA V <sub>CONTROL</sub> = 2.7V to 12V, V <sub>POWER</sub> = 3.3V to 5.5V, I <sub>LOAD</sub> = 10mA to 1.5A	1.243	1.250	1.258	V
			<b>1.237</b>	<b>1.250</b>	<b>1.263</b>	V
Output Voltage	AMS1501-1.5	V <sub>CONTROL</sub> = 4V, V <sub>POWER</sub> = 2V, I <sub>LOAD</sub> = 0mA V <sub>CONTROL</sub> = 3V, V <sub>POWER</sub> = 2.3V, I <sub>LOAD</sub> = 0mA to 1.5A	1.491	1.500	1.509	V
			<b>1.485</b>	<b>1.500</b>	<b>1.515</b>	V
	AMS1501-2.5	V <sub>CONTROL</sub> = 5V, V <sub>POWER</sub> = 3.3V, I <sub>LOAD</sub> = 0mA V <sub>CONTROL</sub> = 4V, V <sub>POWER</sub> = 3.3V, I <sub>LOAD</sub> = 0mA to 1.5A	2.485	2.500	2.515	V
			<b>2.475</b>	<b>2.500</b>	<b>2.525</b>	V
	AMS1501-2.85	V <sub>CONTROL</sub> = 5.35V, V <sub>POWER</sub> = 3.35V, I <sub>LOAD</sub> = 0mA V <sub>CONTROL</sub> = 4.4V, V <sub>POWER</sub> = 3.7V, I <sub>LOAD</sub> = 0mA to 1.5A	2.821	2.850	2.879	V
			<b>2.833</b>	<b>2.850</b>	<b>2.867</b>	V
	AMS1501-3.0	V <sub>CONTROL</sub> = 5.5V, V <sub>POWER</sub> = 3.5V, I <sub>LOAD</sub> = 0mA V <sub>CONTROL</sub> = 4.5V, V <sub>POWER</sub> = 3.8V, I <sub>LOAD</sub> = 0mA to 1.5A	2.982	3.000	3.018	V
			<b>2.970</b>	<b>3.000</b>	<b>3.030</b>	V
	AMS1501-3.3	V <sub>CONTROL</sub> = 5.8V, V <sub>POWER</sub> = 3.8V, I <sub>LOAD</sub> = 0mA V <sub>CONTROL</sub> = 4.8V, V <sub>POWER</sub> = 4.1V, I <sub>LOAD</sub> = 0mA to 1.5A	3.280	3.300	3.320	V
			<b>3.235</b>	<b>3.300</b>	<b>3.333</b>	V
	AMS1501-3.5	V <sub>CONTROL</sub> = 6V, V <sub>POWER</sub> = 4V, I <sub>LOAD</sub> = 0mA V <sub>CONTROL</sub> = 5V, V <sub>POWER</sub> = 4.3V, I <sub>LOAD</sub> = 0mA to 1.5A	3.479	3.500	3.521	V
			<b>3.430</b>	<b>3.500</b>	<b>3.535</b>	V
	AMS1501-5.0	V <sub>CONTROL</sub> = 7.5V, V <sub>POWER</sub> = 5.5V, I <sub>LOAD</sub> = 0mA V <sub>CONTROL</sub> = 6.5V, V <sub>POWER</sub> = 5.8V, I <sub>LOAD</sub> = 0mA to 1.5A	4.930	5.000	5.030	V
			<b>4.950</b>	<b>5.000</b>	<b>5.050</b>	V
Line Regulation	AMS1501/-1.5/-2.5/ -2.85/-3.0/-3.3/-3.5/-5.0	I <sub>LOAD</sub> = 10 mA , 1.5V ≤ (V <sub>CONTROL</sub> - V <sub>OUT</sub> ) ≤ 12V 0.8V ≤ (V <sub>POWER</sub> - V <sub>OUT</sub> ) ≤ 5.5V		<b>1</b>	<b>3</b>	mV
Load Regulation	AMS1501/-1.5/-2.5/ -2.85/-3.0/-3.3/-3.5/-5.0	V <sub>CONTROL</sub> = V <sub>OUT</sub> + 2.5V, V <sub>POWER</sub> = V <sub>OUT</sub> + 0.8V, I <sub>LOAD</sub> = 10mA to 1.5A		<b>1</b>	<b>5</b>	mV
Minimum Load Current	AMS1501	V <sub>CONTROL</sub> = 5V, V <sub>POWER</sub> = 3.3V, V <sub>ADJ</sub> = 0V (Note 3)		<b>5</b>	<b>10</b>	mA
Control Pin Current (Note 4)	AMS1501/-1.5/-2.5/ -2.85/-3.0/-3.3/-3.5/-5.0	V <sub>CONTROL</sub> = V <sub>OUT</sub> + 2.5V, V <sub>POWER</sub> = V <sub>OUT</sub> + 0.8V, I <sub>LOAD</sub> = 10mA to 1.5A		<b>10</b>	<b>16</b>	mA
Ground Pin Current (Note 4)	AMS1501/-1.5/-2.5/ -2.85/-3.0/-3.3/-3.5/-5.0	V <sub>CONTROL</sub> = V <sub>OUT</sub> + 2.5V, V <sub>POWER</sub> = V <sub>OUT</sub> + 0.8V, I <sub>LOAD</sub> = 10mA to 1.5A		<b>6</b>	<b>10</b>	mA
Adjust Pin Current	AMS1501	V <sub>CONTROL</sub> = 2.75V, V <sub>POWER</sub> = 2.05V, I <sub>LOAD</sub> = 10mA		<b>50</b>	<b>120</b>	μA
Current Limit	AMS1501/-1.5/-2.5/ -2.85/-3.0/-3.3/-3.5/-5.0	(V <sub>IN</sub> - V <sub>OUT</sub> ) = 5V	<b>1.5</b>	<b>2.0</b>	<b>2.8</b>	A
Ripple Rejection	AMS1501/-1.5/-2.5/ -2.85/-3.0/-3.3/-3.5/-5.0	V <sub>CONTROL</sub> = V <sub>POWER</sub> = V <sub>OUT</sub> + 2.5V, V <sub>RIPPLE</sub> = 1V <sub>P-P</sub> I <sub>LOAD</sub> = 1A	60	80		dB
Thermal Regulation	AMS1501	T <sub>A</sub> = 25°C, 30ms pulse		0.002	0.020	%W
Thermal Resistance Junction-to-Case		T Package: Control Circuitry/ Power Transistor			0.65/2.70	°C/W
		M Package: Control Circuitry/ Power Transistor			0.65/2.70	°C/W

## ELECTRICAL CHARACTERISTICS

Electrical Characteristics at  $I_{OUT} = 0$  mA, and  $T_J = +25^\circ\text{C}$  unless otherwise specified.

Parameter	Device	Conditions	Min	Typ	Max	Units
<b>Dropout Voltage</b>		Note 2				
Control Dropout ( $V_{CONTROL} - V_{OUT}$ )	AMS1501/-1.5/-2.5/ -2.85/-3.0/-3.3/-3.5/-5.0	$V_{POWER} = V_{OUT} + 0.8\text{V}$ , $I_{LOAD} = 10\text{mA}$		<b>1.00</b>	<b>1.15</b>	V
		$V_{POWER} = V_{OUT} + 0.8\text{V}$ , $I_{LOAD} = 1.5\text{A}$		<b>1.15</b>	<b>1.30</b>	V
Power Dropout ( $V_{POWER} - V_{OUT}$ )	AMS1501/-1.5/-2.5/ -2.85/-3.0/-3.3/-3.5/-5.0	$V_{CONTROL} = V_{OUT} + 2.5\text{V}$ , $I_{LOAD} = 10\text{mA}$		<b>.10</b>	<b>0.17</b>	V
		$V_{CONTROL} = V_{OUT} + 2.5\text{V}$ , $I_{LOAD} = 1.5\text{A}$		<b>.45</b>	<b>.50</b>	V

Parameters identified with **boldface type** apply over the full operating temperature range.

**Note 1:** Absolute Maximum Ratings indicate limits beyond which damage to the device may occur. For guaranteed specifications and test conditions, see the Electrical Characteristics. The guaranteed specifications apply only for the test conditions listed.

**Note 2:** Unless otherwise specified  $V_{OUT} = V_{SENSE}$ . For the adjustable device  $V_{ADJ} = 0\text{V}$ .

**Note 3:** The dropout voltage for the AMS1501 is caused by either minimum control voltage or minimum power voltage. The specifications represent the minimum input/output voltage required to maintain 1% regulation.

**Note 4:** For the adjustable device the minimum load current is the minimum current required to maintain regulation. Normally the current in the resistor divider used to set the output voltage is selected to meet the minimum load current requirement.

**Note 5:** The control pin current is the drive current required for the output transistor. This current will track output current with a ratio of about 1:100. The minimum value is equal to the quiescent current of the device.

## PIN FUNCTIONS

**Sense (Pin 1):** This pin is the positive side of the reference voltage for the device. With this pin it is possible to Kelvin sense the output voltage at the load.

**Adjust (Pin 2/5):** This pin is the negative side of the reference voltage for the device. Adding a small bypass capacitor from the Adjust pin to ground improves the transient response. For fixed voltage devices the Adjust pin is also brought out to allow the user to add a bypass capacitor.

**GND (Pin 2, 7-Lead only):** For fixed voltage devices this is the bottom of the resistor divider that sets the output voltage.

**$V_{POWER}$  (Pin 5/6):** This pin is the collector to the power device of the AMS1501. The output load current is supplied through this pin. The voltage at this pin must be between 0.1V and 0.8V greater than the output voltage for the device to regulate.

**$V_{CONTROL}$  (Pin 4/3):** This pin is the supply pin for the control circuitry of the device. The current flow into this pin will be about 1% of the output current. The voltage at this pin must be 1.3V or greater than the output voltage for the device to regulate.

**Output (Pin 3/4):** This is the power output of the device.

## APPLICATION HINTS

The AMS1501 is designed to make use of multiple power supplies, existing in most systems, to reduce the dropout voltage. One of the advantages of the two supply approach is maximizing the efficiency.

The second supply is at least 1V greater than output voltage and is providing the power for the control circuitry and supplies the drive current to the NPN output transistor. This allows the NPN to be driven into saturation; thereby reducing the dropout voltage by a  $V_{BE}$  compared to conventional designs. For the control voltage the current requirement is small equal to about 1% of the output current or approximately 15mA for a 1.5A load. Most of this current is drive current for the NPN output transistor. This drive current becomes part of the output current. The maximum voltage on the Control pin is 13V. The maximum voltage at the Power pin is 7V. Ground pin current for fixed voltage devices is typical 6mA and is constant as a function of load. Adjust pin current for adjustable devices is 60 $\mu$ A at 25°C and varies proportional to absolute temperature.

The improved frequency compensation of AMS1501 permits the use of capacitors with very low ESR. This is critical in addressing the needs of modern, low voltage high speed microprocessors. Output voltage tolerances are tighter and include transient response as part of the specification. Designed to meet the fast current load step requirements, the AMS1501 also saves total cost by needing less output capacitance to maintain regulation.

Careful design of the AMS1501 has eliminated any supply sequencing issues associated with a dual supply system. The output voltage will not turn on until both supplies are operating. If the control voltage comes up first, the output current will be limited to a few milliamperes until the power input voltage comes up. If power input comes up first the output will not turn on at all until the control voltage comes up. The output can never come up unregulated. By tying the control and power inputs together the AMS1501 can also be operated as a single supply device. In single supply operation the dropout will be determined by the minimum control voltage.

The new features of the AMS1501 require additional pins over the traditional 3-terminal regulator. Both the fixed and adjustable versions have remote sense pins, permitting very accurate regulation of output voltage at the load, rather than at the regulator. As a result, over an output current range of 100mA to 1.5A with a 2.5V output, the typical load regulation is less than 1mV. For the fixed voltages the adjust pin is brought out allowing the user to improve transient response by bypassing the internal resistor divider. Optimum transient response is provided using a capacitor in the range of 0.1 $\mu$ F to 1 $\mu$ F for bypassing the Adjust pin. The value chosen will depend on the amount of output capacitance in the system.

In addition to the enhancements mentioned, the reference accuracy has been improved by a factor of two with a guaranteed initial tolerance of  $\pm 0.6\%$  at 25°C. This device can hold 1% accuracy over the full temperature range and load current range,

guaranteed, when combined with ratiometrically accurate internal divider resistors and operating with an input/output differential of well under 1V.

Typical applications for the AMS1501 include 3.3V to 2.5V conversion with a 5V control supply, 5V to 4.2V conversion with a 12V control supply or 5V to 3.6V conversion with a 12V control supply. Capable of 1.5A of output current with a maximum dropout of 0.8V the AMS1501 also has a fast transient response that allows it to handle large current changes. The device is fully protected against overcurrent and overtemperature conditions.

## Grounding and Output Sensing

The AMS1501 allows true Kelvin sensing for both the high and low side of the load. As a result the voltage regulation at the load can be easily optimized. Voltage drops due to parasitic resistances between the regulator and the load can be placed inside the regulation loop of the AMS1501. The advantages of remote sensing are illustrated in figures 1 through 3.

Figure 1 shows the device connected as a conventional 3 terminal regulator with the Sense lead connected directly to the output of the device.  $R_P$  is the parasitic resistance of the connections between the device and the load. Typically  $R_P$  is made up of the PC traces and/or connector resistances (in the case of a modular regulator) between the regulator and the load. Trace A of figure 3 illustrates the effect of  $R_P$ . Very small resistances cause significant load regulation steps.

Figure 2 shows the device connected to take advantage of the remote sense feature. The Sense pin and the top of the resistor divider are connected to the top of the load; the bottom of the resistor divider is connected to the bottom of the load.  $R_P$  is now connected inside the regulation loop of the AMS1501 and for reasonable values of  $R_P$  the load regulation at the load will be negligible. The effect on output regulation can be seen in trace B of figure 3.

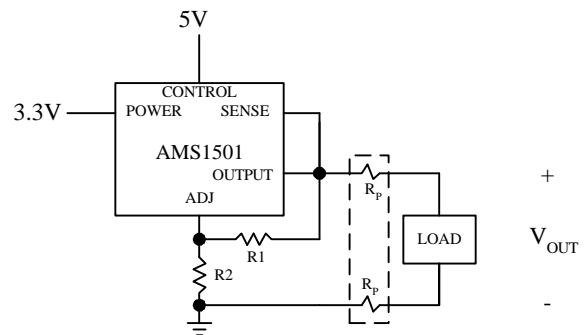
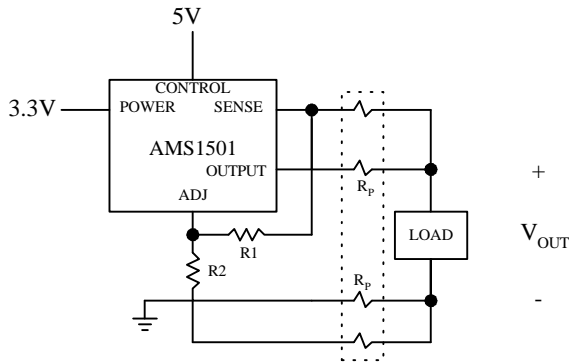
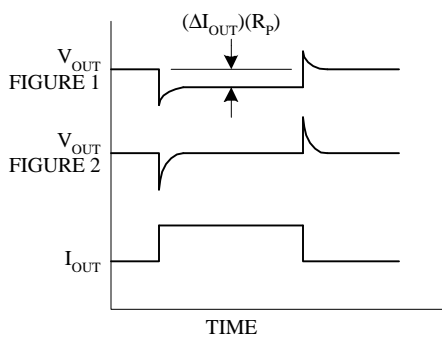


Figure 1. Conventional Load Sensing

## APPLICATION HINTS



**Figure 2. Remote Load Sensing**



**Figure 3. Remote Sensing Improves Load Regulation**

Voltage drops due to  $R_p$  are not eliminated; they will add to the dropout voltage of the regulator regardless of whether they are inside or outside the regulation loop. The AMS1501 can control the voltage at the load as long as the input-output voltage is greater than the total of the dropout voltage of the device plus the voltage drop across  $R_p$ .

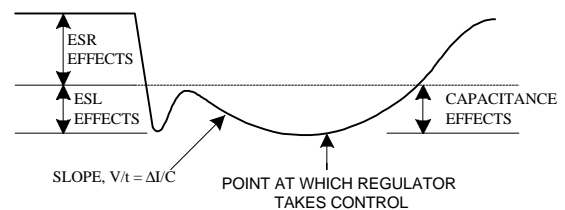
### Stability

The circuit design used in the AMS1501 series requires the use of an output capacitor as part of the device frequency compensation. The addition of 150 $\mu$ F aluminum electrolytic or a 22 $\mu$ F solid tantalum on the output will ensure stability for all operating conditions. For best frequency response use capacitors with an ESR of less than 1 $\Omega$ .

In order to meet the transient requirements of the load larger value capacitors are needed. Tight voltage tolerances are required in the power supply. To limit the high frequency noise generated by the load high quality bypass capacitors must be used. In order to limit parasitic inductance (ESL) and resistance (ESR) in the capacitors to acceptable limits, multiple small ceramic capacitors in addition to high quality solid tantalum capacitors are required. When the adjustment terminal is bypassed to improve the ripple rejection, the requirement for an output capacitor increases. The Adjust pin is brought out on the fixed voltage device specifically

to allow this capability. To ensure good transient response with heavy load current changes capacitor values on the order of 100 $\mu$ F are used in the output of many regulators. To further improve stability and transient response of these devices larger values of output capacitor can be used.

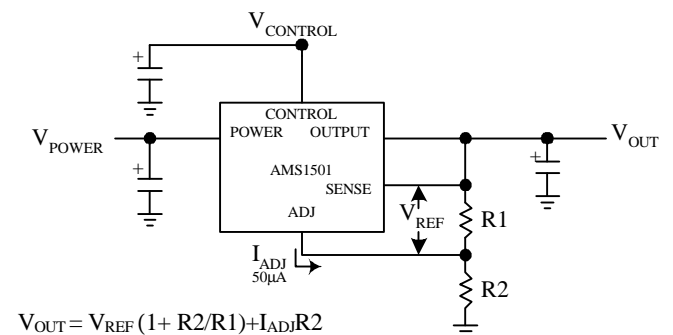
The modern systems generate large high frequency current transients. The load current step contains higher order frequency components than the output coupling network must handle until the regulator throttles to the load current level. Because they contain parasitic resistance and inductance, capacitors are not ideal elements. These parasitic elements dominate the change in output voltage at the beginning of a transient load step change. The ESR of the output capacitors produces an instantaneous step in output voltage ( $\Delta V = \Delta I$ )(ESR). The ESL of the output capacitors produces a droop proportional to the rate of change of the output current ( $V = L$ )( $\Delta I / \Delta t$ ). The output capacitance produces a change in output voltage proportional to the time until the regulator can respond ( $\Delta V = \Delta t$ ) ( $\Delta I / C$ ). Figure 4 illustrates these transient effects.



**Figure 4.**

### Output Voltage

The AMS1501 series develops a 1.25V reference voltage between the Sense pin and the Adjust pin (Figure 5). Placing a resistor between these two terminals causes a constant current to flow through  $R_1$  and down through  $R_2$  to set the overall output voltage. In general  $R_1$  is chosen so that this current is the specified minimum load current of 10mA. The current out of the Adjust pin is small, typically 50 $\mu$ A and it adds to the current from  $R_1$ . Because  $I_{ADJ}$  is very small it needs to be considered only when very precise output voltage setting is required. For best regulation the top of the resistor divider should be connected directly to the Sense pin.



$$V_{OUT} = V_{REF} (1 + R_2/R_1) + I_{ADJ}R_2$$

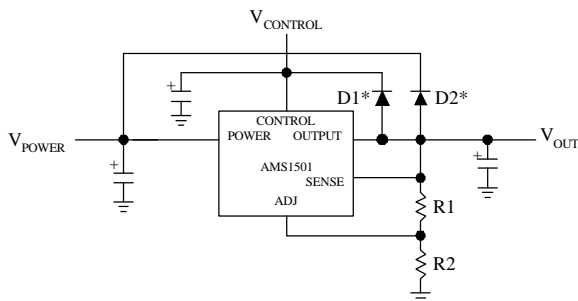
**Figure 5. Setting Output Voltage**

## APPLICATION HINTS

### Protection Diodes

Unlike older regulators, the AMS1501 family does not need any protection diodes between the adjustment pin and the output and from the output to the input to prevent die over-stress. Internal resistors are limiting the internal current paths on the AMS1501 adjustment pin, therefore even with bypass capacitors on the adjust pin no protection diode is needed to ensure device safety under short-circuit conditions. The Adjust pin can be driven on a transient basis  $\pm 7V$  with respect to the output without any device degradation.

Diodes between the Output pin and  $V_{POWER}$  pin are not usually needed. Microsecond surge currents of 25A to 50A can be handled by the internal diode between the Output pin and  $V_{POWER}$  pin of the device. In normal operations it is difficult to get those values of surge currents even with the use of large output capacitances. If high value output capacitors are used, such as 1000 $\mu F$  to 5000 $\mu F$  and the  $V_{POWER}$  pin is instantaneously shorted to ground, damage can occur. A diode from output to input is recommended, when a crowbar circuit at the input of the AMS1501 is used (Figure 6). Normal power supply cycling or even plugging and unplugging in the system will not generate current large enough to do any damage.



**Figure 6. Optional Clamp Diodes Protect Against Input Crowbar Circuits**

If the AMS1501 is connected as a single supply device with the control and power input pins shorted together the internal diode between the output and the power input pin will protect the control input pin. As with any IC regulator, none the protection circuitry will be functional and the internal transistors will break down if the maximum input to output voltage differential is exceeded.

### Thermal Considerations

The AMS1501 series have internal power and thermal limiting circuitry designed to protect the device under overload conditions. However maximum junction temperature ratings should not be exceeded under continuous normal load conditions. Careful consideration must be given to all sources of thermal resistance from junction to ambient, including junction-to-case, case-to-heat sink interface and heat sink resistance itself.

Thermal resistance specification for both the Control Section and the Power Transistor are given in the electrical characteristics. The thermal resistance of the Control section is given as 0.65°C/W and junction temperature of the Control section can run up to 125°C. The thermal resistance of the Power section is given as 2.7°C/W and junction temperature of the Power section can run up to 150°C. Due to the thermal gradients between the power transistor and the control circuitry there is a significant difference in thermal resistance between the Control and Power sections.

Virtually all the power dissipated by the device is dissipated in the power transistor. The temperature rise in the power transistor will be greater than the temperature rise in the Control section making the thermal resistance lower in the Control section. At power levels below 12W the temperature gradient will be less than 25°C and the maximum ambient temperature will be determined by the junction temperature of the Control section. This is due to the lower maximum junction temperature in the Control section. At power levels above 12W the temperature gradient will be greater than 25°C and the maximum ambient temperature will be determined by the Power section. In both cases the junction temperature is determined by the total power dissipated in the device. For most low dropout applications the power dissipation will be less than 12W.

The power in the device is made up of two components: the power in the output transistor and the power in the drive circuit. The power in the control circuit is negligible.

The power in the drive circuit is equal to:

$$P_{DRIVE} = (V_{CONTROL} - V_{OUT})(I_{CONTROL})$$

where  $I_{CONTROL}$  is equal to between  $I_{OUT}/100(\text{typ})$  and  $I_{OUT}/58(\text{max})$ .

The power in the output transistor is equal to:

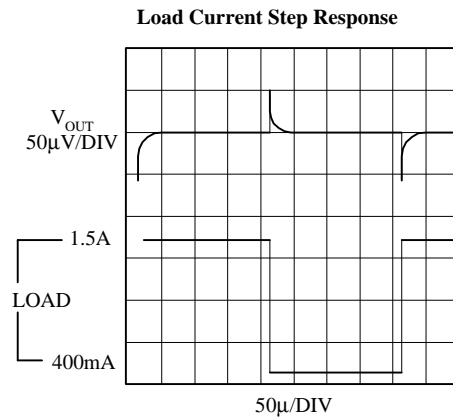
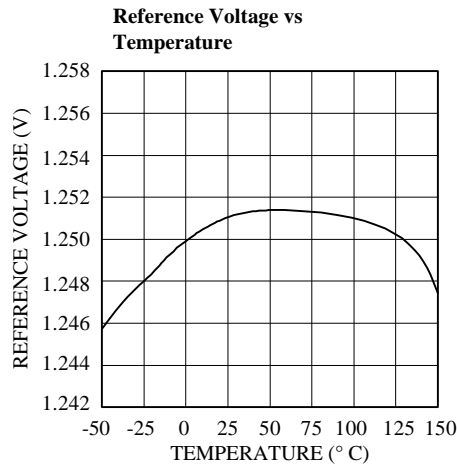
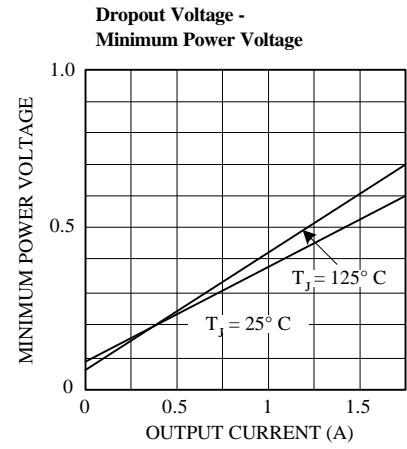
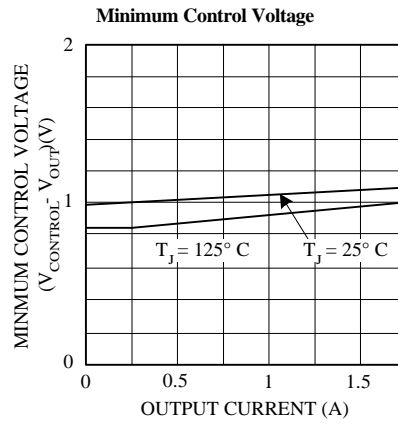
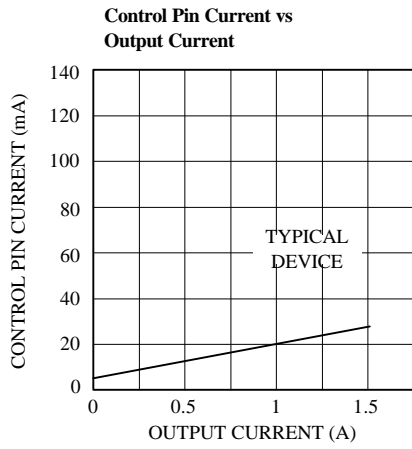
$$P_{OUTPUT} = (V_{POWER} - V_{OUT})(I_{OUT})$$

The total power is equal to:

$$P_{TOTAL} = P_{DRIVE} + P_{OUTPUT}$$

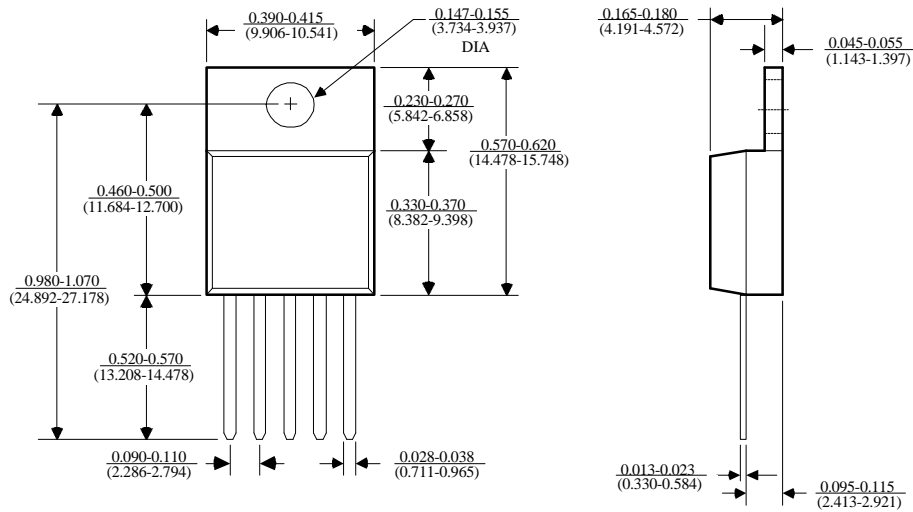
Junction-to-case thermal resistance is specified from the IC junction to the bottom of the case directly below the die. This is the lowest resistance path for the heat flow. In order to ensure the best possible thermal flow from this area of the package to the heat sink proper mounting is required. Thermal compound at the case-to-heat sink interface is recommended. A thermally conductive spacer can be used, if the case of the device must be electrically isolated, but its added contribution to thermal resistance has to be considered.

## TYPICAL PERFORMANCE CHARACTERISTICS



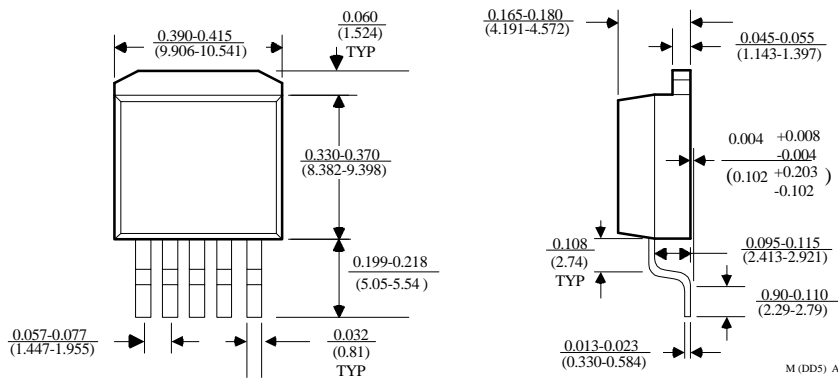
PACKAGE DIMENSIONS inches (millimeters) unless otherwise noted.

## 5 LEAD TO-220 PLASTIC PACKAGE (T)



T (TO-220) AMS DRW#042194

## 5 LEAD TO-263 PLASTIC PACKAGE (M)

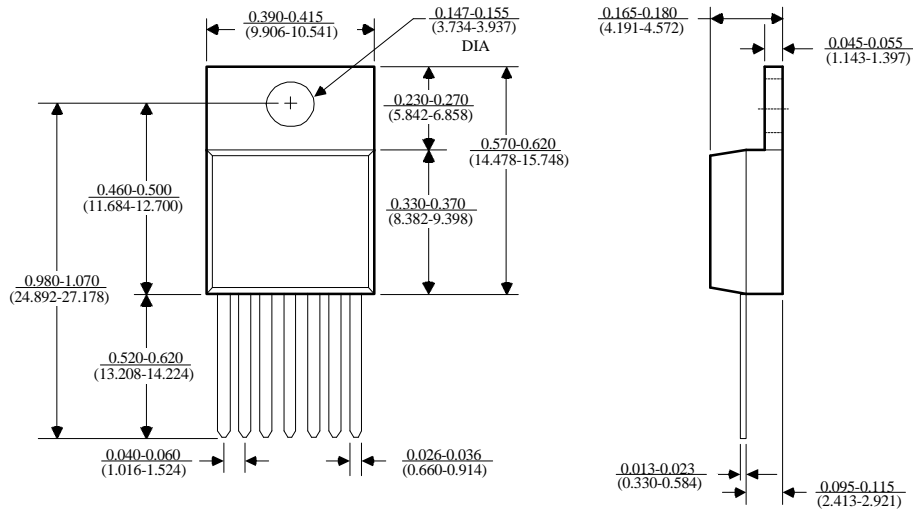


M (DD5) AMS DRW#042192R1



PACKAGE DIMENSIONS inches (millimeters) unless otherwise noted (Continued).

## 7 LEAD TO-220 PLASTIC PACKAGE (T)



T (TO-220) AMS DRW# 042291