

THIS DRAWING IS UNPUBLISHED.

RELEASED FOR PUBLICATION

2006

© COPYRIGHT 2006 BY -

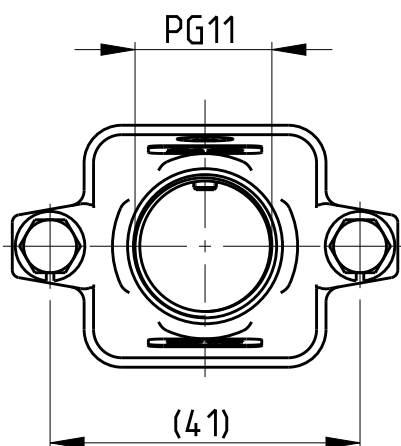
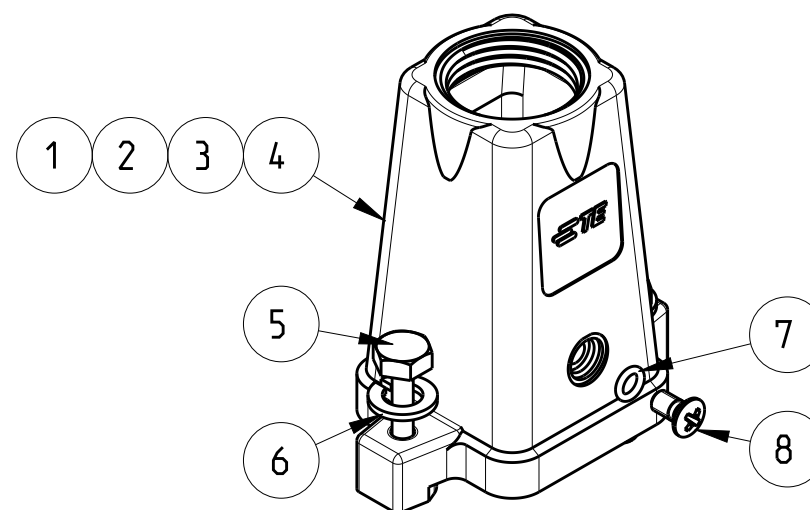
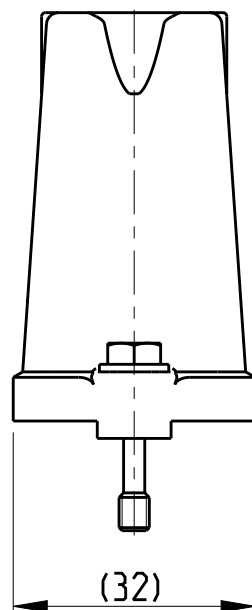
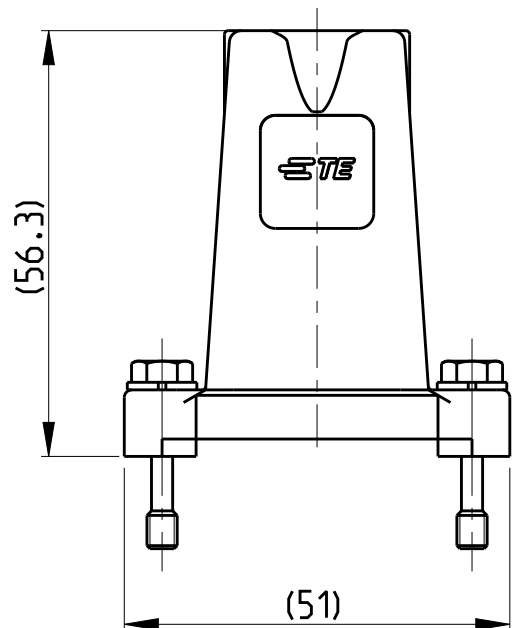
ALL RIGHTS RESERVED.

REVISIONS

P	LTR	DESCRIPTION	DATE	DWN	APVD
A5		ECR-10-009092	22OCT2009	RO	BR
B		ECR-16-001855	29FEB2016	GCM	JB

Notes

- 1 SUITABLE HOUSINGS: SERIES HIP, SIZE 1
CUSTOMER DRAWING 1102600, 1106408
- 2 STANDARDS:
DIN EN 61984, DIN EN 60664-1
- 3 TOOL:
PHILLIPS SCREWDRIVER PH1.
HEXAGON SCREWDRIVER 7mm
- 4 VARNISH ON INSIDE AREA NOT
NECESSARY
- 5 PACKAGING:
10 SETS IN A CARTON, PRE-MOUNTED




PN 1-5 AS SHOWN

0-1102600-2	HIP-K.3/4.STO.1.11.G
2-1102600-5	HIP-K.3/4.STO.1.11.G
1-1102600-5	HIP.3/4.STO.1.11.G
PART NO.	ORDERING TEXT

0-2	2-5	1-5	DESCRIPTION	MATERIAL	COLOR/SURFACE	NOTE	ITEM
1	1	1	SREW COUNTERSUNK RAISED HEAD	STAINL.STEEL	V2A	M3x6 PH1 DIN EN ISO 7047	8
1	1	1	O - RING	NBR	BLACK	3.0x1.0	7
2	2	2	WASHER, PLAIN	STAINL.STEEL	BLANK	A4, DIN EN ISO 7089, 200HV	6
2	2	2	SCREW, HEXAGON BOLT	STAINL.STEEL	BLANK	M4x22 DIN EN ISO 7964, REDUCED SHUNK	5
1	-	-	CONNECTOR HOUSING	ALU	YELLOW	SERIES HIP-K	4
-	1	-	CONNECTOR HOUSING	ALU	BLACK	SERIES HIP-K	2
-	-	1	CONNECTOR HOUSING	ALU	GREY	SERIES HIP	1

PARTS LIST (PER ONE UNIT)

THIS DRAWING IS A CONTROLLED DOCUMENT.		DWN V.Glumm 06AUG2009	 TE Connectivity	NAME CONNECTOR HOUSING ASS'Y, TOP ENTRY SERIES HIP, SIZE 1, PG11														
DIMENSIONS: mm		CHK H.Braun 06AUG2009		PRODUCT SPEC														
TOLERANCES UNLESS OTHERWISE SPECIFIED:		APVD T.Schnurpfeil 06AUG2009		APPLICATION SPEC														
<table border="0"> <tr><td>0 PLC</td><td>±</td></tr> <tr><td>1 PLC</td><td>±</td></tr> <tr><td>2 PLC</td><td>±</td></tr> <tr><td>3 PLC</td><td>±</td></tr> <tr><td>4 PLC</td><td>±</td></tr> <tr><td>ANGLES</td><td>±1°</td></tr> </table>		0 PLC		±	1 PLC	±	2 PLC	±	3 PLC	±	4 PLC	±	ANGLES	±1°	WEIGHT	SIZE A3	CAGE CODE 00779	DRAWING NO C-1102600
0 PLC	±																	
1 PLC	±																	
2 PLC	±																	
3 PLC	±																	
4 PLC	±																	
ANGLES	±1°																	
MATERIAL		FINISH	CUSTOMER DRAWING		SCALE 1:1	SHEET 1 OF 1	REV B											