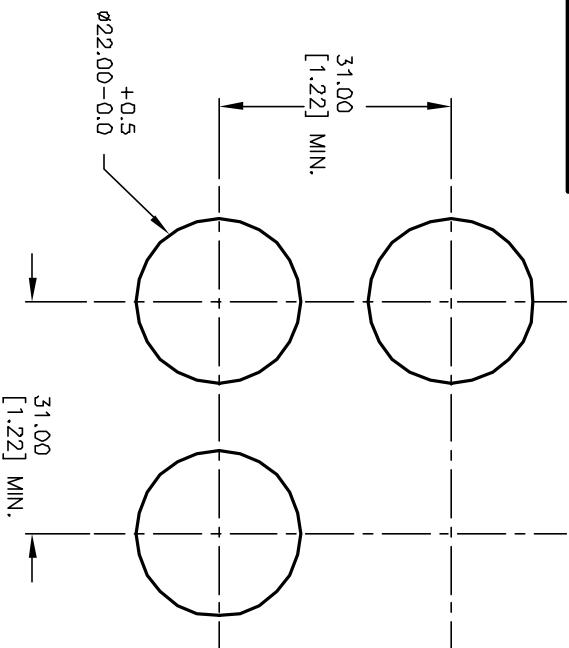


PARTS LIST		Part No.
Item	Qty.	Dwg. No.
1	1	F051701
2	1	F060610
3	1	F060295
		29mm RING FOR LA SERIES
		LASCAU110
		29mm RED LENS



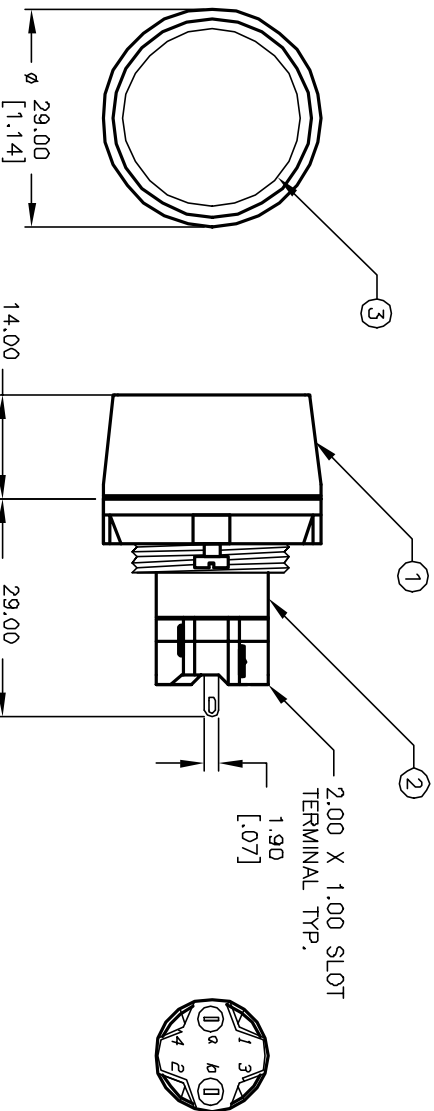
RECOMMENDED PANEL MOUNTING

1.0 ± 0.2
3.0 ± 0.4
a-(L)-b (+)

SPST
CONTACT CONFIGURATION

NOTES:

1. ALL DIMENSIONS IN MM [INCH]
2. GENERAL TOLERANCE: X.X=±0.4 X.XX=±0.25
3. RATINGS: 250VAC @1A, 2A, 4A, 5A



E-SWITCH®

LAS DA U1 10 RED (W/D LAMP)

REV.	ECN No.	DESCRIPTION	DATE	CHK'D
A	11198	RELEASED FOR PRODUCTION	2/12/02	CJB

TITLE	SCALE	DATE	DR	DWG	REV
LAS DA U1 10 RED (W/D LAMP)	1:1	1/25/01	CJB	XF0348P	A

THE INFORMATION CONTAINED IN THIS DOCUMENT IS PROPRIETARY TO E-SWITCH AND IS NOT TO BE COPIED OR TRANSMITTED