

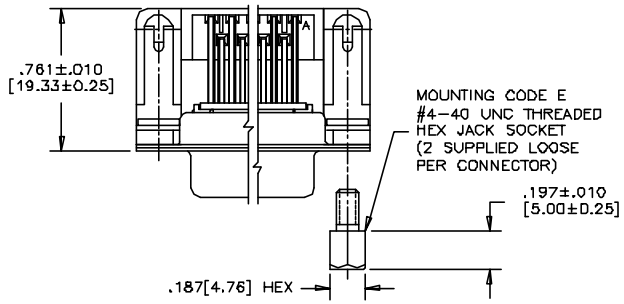
REVISIONS				
SYM	ZONE	ECN, ERN NO.	DATE	APPRD.
B		PRODUCT DRAWING	00/03/02	K.L.

THIS IS A CAD DRAWING. DO NOT MANUALLY REVISE!

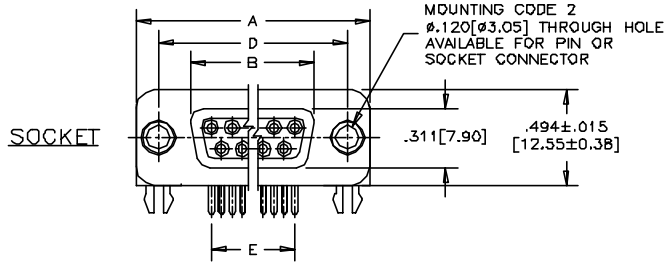
ORDERING CODE: FCC17 - E09PC - 440G

SERIES
SIZE/NUMBER OF CONTACTS
 E09, A15, B25, OR C37
CONNECTOR STYLE
 P=PIN
 S=SOCKET
TERMINATION TYPE
 C=.590" [14.99] FOOTPRINT
MOUNTING
 2=.120 [3.05] DIA THROUGH HOLE
 3=#4-40 UNC SELF-LOCKING THREAD
 4=#4-40 UNC THREAD
 6=M3 x 0.5 THREAD
 E=CODE 4 MOUNTING WITH #4-40 UNC
 HEX JACK SOCKET SUPPLIED.
 F=#4-40 UNC THREAD
 Ø.187 [Ø4.75] FIXED JACK SOCKET

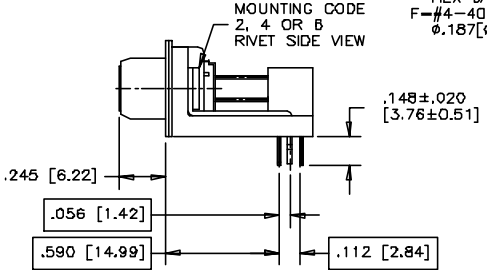
CONTACT FINISH/GOLD THICKNESS
 NO DIGIT-STANDARD 15 MICROINCHES [0.38 MICRONS] GOLD
 G=50 MICROINCHES [1.27 MICRONS] GOLD
MODIFIER
 0=STANDARD
FILTER CAPACITANCE
 D=50 pF 5=1000 pF
 O=180 pF E=2200 pF
 1=470 pF 9=5600 pF
 4=820 pF 8=47000 pF
 REFER TO AMPHENOL
 CATALOGUE FOR FILTER
 PERFORMANCE CHARACTERISTICS



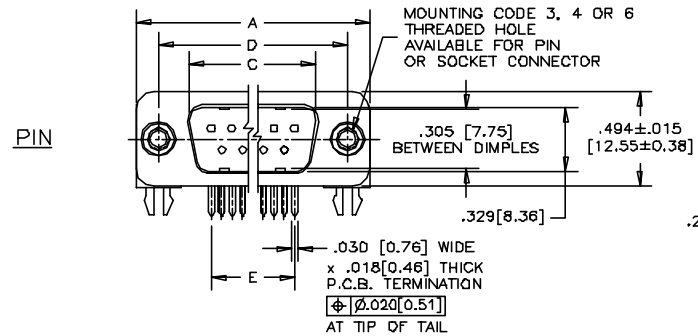
MOUNTING CODE E
 #4-40 UNC THREADED
 HEX JACK SOCKET
 (2 SUPPLIED LOOSE
 PER CONNECTOR)



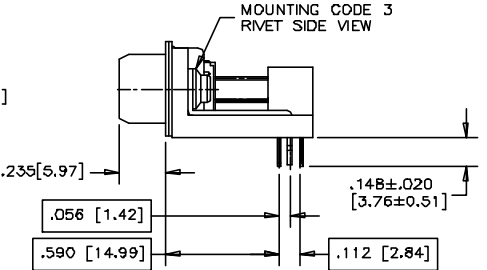
MOUNTING CODE 2
 Ø.120 [Ø3.05] THROUGH HOLE
 AVAILABLE FOR PIN OR
 SOCKET CONNECTOR



MOUNTING CODE
 2, 4 OR 6
 RIVET SIDE VIEW

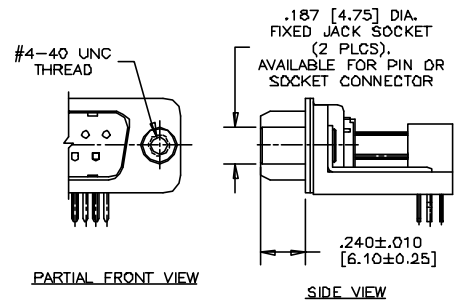


MOUNTING CODE 3, 4 OR 6
 THREADED HOLE
 AVAILABLE FOR PIN
 OR SOCKET CONNECTOR



MOUNTING CODE 3
 RIVET SIDE VIEW

CODE "F" MOUNTING OPTION



PARTIAL FRONT VIEW

SIDE VIEW

NOTES:

- MATERIALS: - SHELLS - TIN PLATED STEEL
 - CONTACTS - PHOSPHOR BRONZE PLATED WITH GOLD OVER NICKEL ON THE MATING AREA AND TIN-LEAD ON THE TERMINALS
 - INSULATOR - ENGINEERING THERMOPLASTIC, FLAMMABILITY RATING UL94V-0, BLACK.
- CONTACT RESISTANCE: 15 MILLIOHMS MAXIMUM.
- INSULATION RESISTANCE: 3000 MEGOHMS MINIMUM
- CURRENT RATING: 5 AMPS MAXIMUM
 2 AMPS FILTERING MAXIMUM
- OPERATING TEMPERATURE: -40°C TO 85°C.
- TOLERANCE, UNLESS INDICATED OTHERWISE, ±.005 [0.13].

SIZE	STYLE	A±.015 [0.38]	B±.005 [0.13]	C±.005 [0.13]	D±.005 [0.13]	E BSC.
E09	PIN	1.213 [30.81]	-----	.666 [16.92]	.984 [24.99]	.432 [10.97]
	SOCKET	-----	.643 [16.33]	-----	-----	-----
A15	PIN	1.541 [39.14]	-----	.994 [25.25]	1.312 [33.32]	.756 [19.20]
	SOCKET	-----	.971 [24.66]	-----	-----	-----
B25	PIN	2.088 [53.04]	-----	1.534 [38.96]	1.852 [47.04]	1.304 [33.12]
	SOCKET	-----	1.511 [38.38]	-----	-----	-----
C37	PIN	2.729 [69.32]	-----	2.182 [55.42]	2.500 [63.50]	1.956 [49.66]
	SOCKET	-----	2.159 [54.84]	-----	-----	-----

THIS DOCUMENT CONTAINS PROPRIETARY INFORMATION AND SUCH INFORMATION MAY NOT BE DISCLOSED TO OTHERS FOR ANY PURPOSE OR USED FOR MANUFACTURING PURPOSES WITHOUT WRITTEN PERMISSION FROM AMPHENOL CANADA CORP.

MATERIAL	DRAWN I.ESSAJEE	DATE 06/01/19	TITLE	FCC17 FILTERED D-SUB, RIGHT ANGLE .590" [14.99] F/P, PIN & SOCKET - PLASTIC MTG. BRACKET & BOARDLOCK
	DESIGNED K.LAMBIE	DATE 06/01/18		
FINISH	CHECKED		DWG. APPRD.	DWG. DRAWING NO.
	I. E. APPRD.			
	Q. A. APPRD.		ENG. REL. NO.	SCALE N.T.S.
	DWG. APPRD.		REF.	SURF. -----
	DIMENSIONS ARE IN INCHES [mm]	CODE ID. NO. 03554		SHEET 7 OF 7

Amphenol Canada Corp.

P-FCC17-XXXXC-XXOX