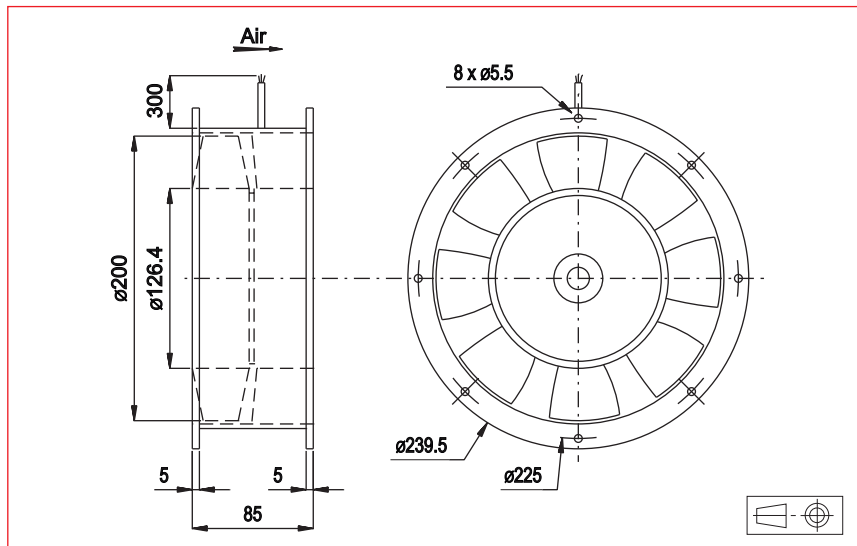


Ø 9,43" x 3,346"    Ø 239,5 x 85 mm

62GP

**ETRI**<sup>®</sup>

AC High Performance Fans



**Approvals**

CE, NATO codification

**Life expectancy**

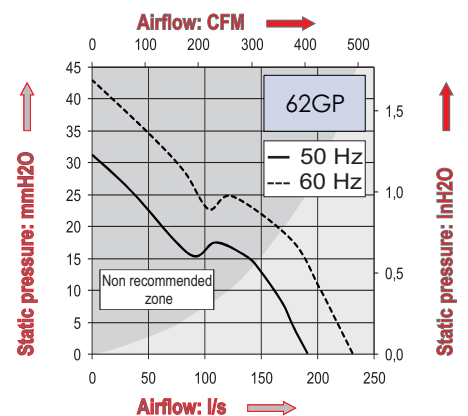
L-10 LIFE AT 40°C:  
25 000 hours

**AC Motor**

Housing material: aluminium  
Impeller material: aluminium  
Weight: 4,2 kg  
Bearing system: ball bearings

**Available with:**

- Safety switch
- Terminal block
- Plastic impeller (61G series)



Part Number	Nominal voltage	Airflow	Noise level	Nominal speed	Frequency	Phases	Capacitor (not included)	Input power	Nominal Current	Starting Current	Connection type		Operating temperature	
	V	l/s	dB(A)	RPM	Hz		µF	W	mA	mA	Leads	Terminals	Min.°C	Max.°C
62GP016DC13	230	190	67	2930	50	3		46	290	-	X		-10	70
	400	190	67	2930	50	3		46	170	-	X		-10	70
	230	230	72	3450	60	3		61	250	-	X		-10	70
	400	230	72	3450	60	3		61	145	-	X		-10	70
	230	190	67	2930	50	1	3,2	45	280	-	X		-10	70
	400	190	67	2930	50	1	1	45	170	-	X		-10	70
	230	230	72	3450	60	1	3,2	62	280	-	X		-10	70
	400	230	72	3450	60	1	1	62	160	-	X		-10	70

**Additional versions:**

Salt spray protected - Shock and vibration protected - Marine specifications  
Wide temperature range - Other voltages (consult factory)