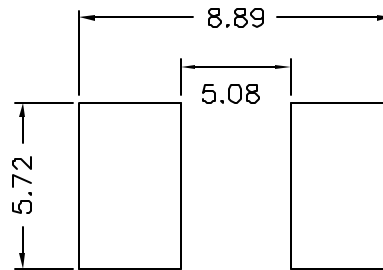
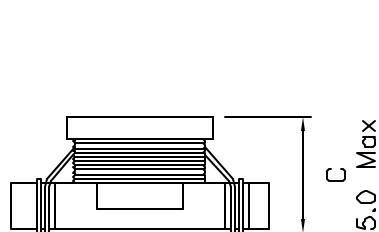
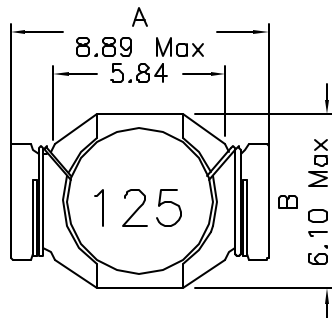
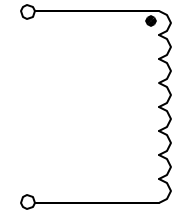


### 1. Mechanical Dimensions:



Suggested PCB Layout

### 2. Schematic:



### 3. Electrical Specifications: @25°C

OCL: 12.00uH ±20% @100KHz 0.25V  
 IDC: 1.50A 30% Typ. dropped in OCL  
 DCR: 0.170 Ohms Max

Notes:

1. Solderability: Leads shall meet MIL-STD-202, Method 208D for solderability.
2. Flammability: UL94V-0
3. ASTM oxygen index: > 28%
4. Insulation System: Class F 155°C, UL file E151566
5. Operating Temperature Range: All listed parameters are to be within tolerance from -40°C to +85°C
6. Storage Temperature Range: -55°C to +125°C
7. Aqueous wash compatible

DOC. REV A/2

**PROPRIETARY**

Document is the property of XFMRS Group & is not allowed to be duplicated without authorization.

<b>XFMRS Inc.</b>	Title: INDUCTOR	
	P/N: XF01200S1M	REV. A
UNLESS OTHERWISE SPECIFIED TOLERANCES: .xx ±0.25	DWN.	刘 鹏 Apr-05-04
	CHK.	李小锋 Apr-05-04
Dimensions in MM	APP.	Joe Huff Apr-05-04
SHEET 1 OF 1		