

## GBPC15/25/35/50 SERIES

REVERSE VOLTAGE - 50 to 1000Volts  
 FORWARD CURRENT - 15/25/35/50Amperes

GLASS PASSIVATED  
 BRIDGE RECTIFIERS

### Features

- Surge overload -300~450 amperes peak
- Low forward voltage drop
- Mounting position :Any
- Electrically isolated base-2000 Volts
- Solderable 0.25" FAST ON terminals
- Materials used carries U/L recognition
- RoHS compliant package

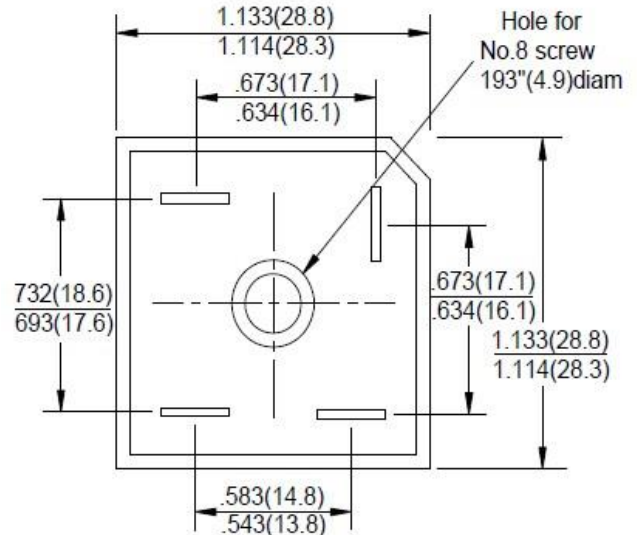
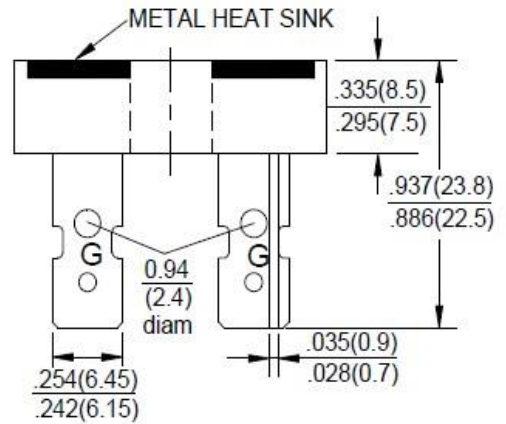
### Packing & Order Information

500/Box



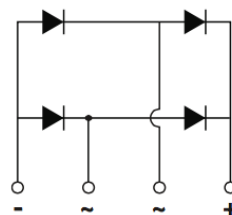
**RoHS  
 COMPLIANT**

### GBPC



Dimensions in inches and (millimeters)

### Graphic symbol



## GBPC15/25/35/50 SERIES

REVERSE VOLTAGE - 50 to 1000Volts

RWARD CURRENT - 15/25/35/50Amperes

MAXIMUM RATINGS AND ELECTRICAL CHARACTERISTICS

Rating at 25 °C ambient temperature unless otherwise specified.

Resistive or inductive load 60Hz.

For capacitive load, derate current by 20%

Rating	Symbol	GBPC	GBPC	GBPC	GBPC	GBPC	GBPC	GBPC	Unit	
		15005	1501	1502	1504	1506	1508	1510		
		25005	2501	2502	2504	2506	2508	2510		
		35005	3501	3502	3504	3506	3508	3510		
		50005	5001	5002	5004	5006	5008	5010		
Maximum Recurrent Peak Reverse Voltage	$V_{RRM}$	50	100	200	400	600	800	1000	V	
Maximum RMS Voltage	$V_{RMS}$	35	70	140	280	420	560	700	V	
Maximum average forward Rectified output current $T_c = 55\text{ }^\circ\text{C}$	$I_{(AV)}$		15		25		35		50	A
Peak forward surge current 8.3ms single half-sine-wave superimposed on rated load	$I_{FSM}$	<b>GBPC 15</b>	300	<b>GBPC 25</b>	350	<b>GBPC 35</b>	400	<b>GBPC 50</b>	450	A
Maximum Forward Voltage Drop Per Element at 7.5/12.5/17.5/25.0 A Peak	$V_F$	1.1							V	
Maximum Reverse Current at Rated DC Blocking Voltage Per Element @ $T_J=25\text{ }^\circ\text{C}$	$I_R$	10							$\mu\text{A}$	
Operating Temperature Range	$T_J$	-55 to +150							$^\circ\text{C}$	
Storage Temperature Range	$T_J, T_{STG}$	-55 to +150							$^\circ\text{C}$	

# GBPC15/25/35/50 SERIES

REVERSE VOLTAGE - 50 to 1000Volts  
 FORWARD CURRENT - 15/25/35/50Amperes

■ RATING AND CHARACTERISTIC CURVES

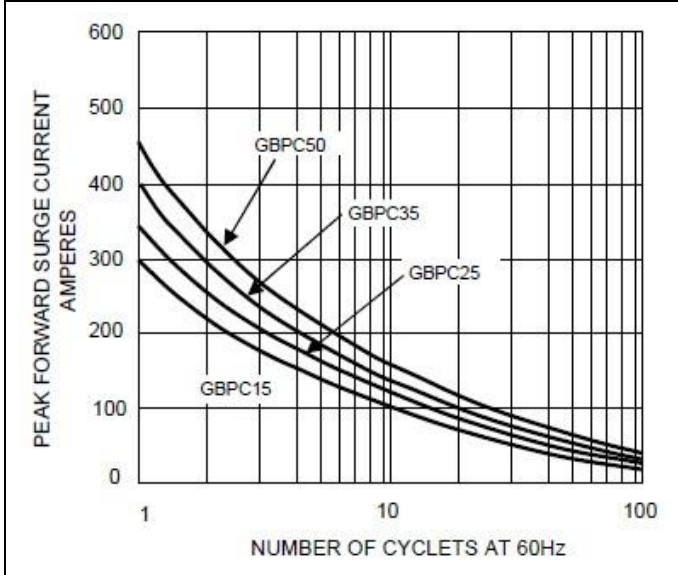


FIG.1 - MAXIMUM FORWARD SURGE CURRENT

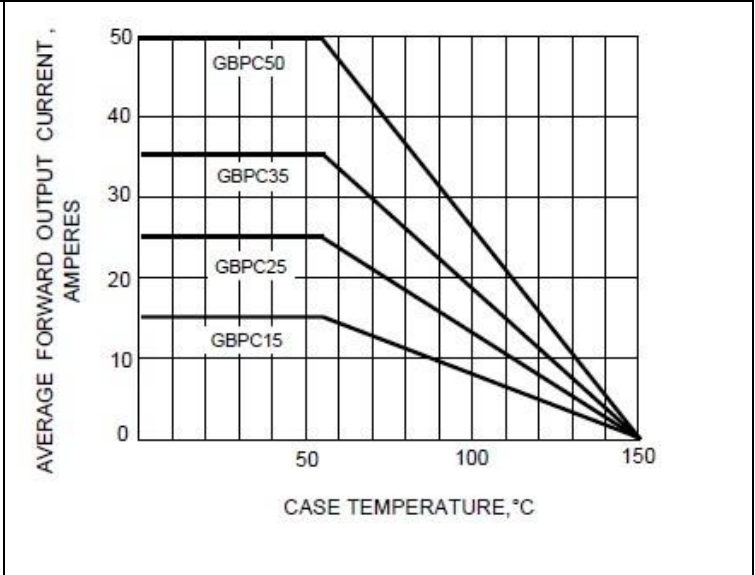


FIG.2 – DERATING CURVE OUTPUT RECTIFIED CURRENT

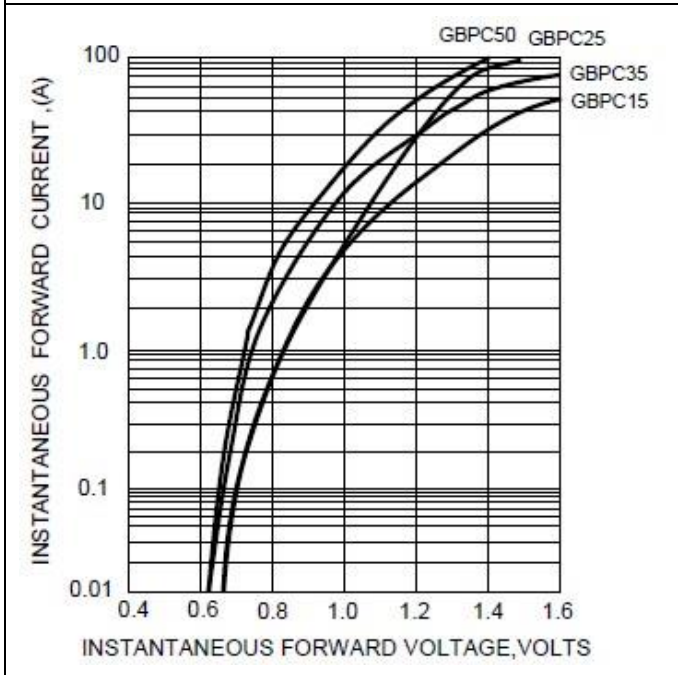


FIG.3- TYPICAL FORWARD CHARACTERISTIC

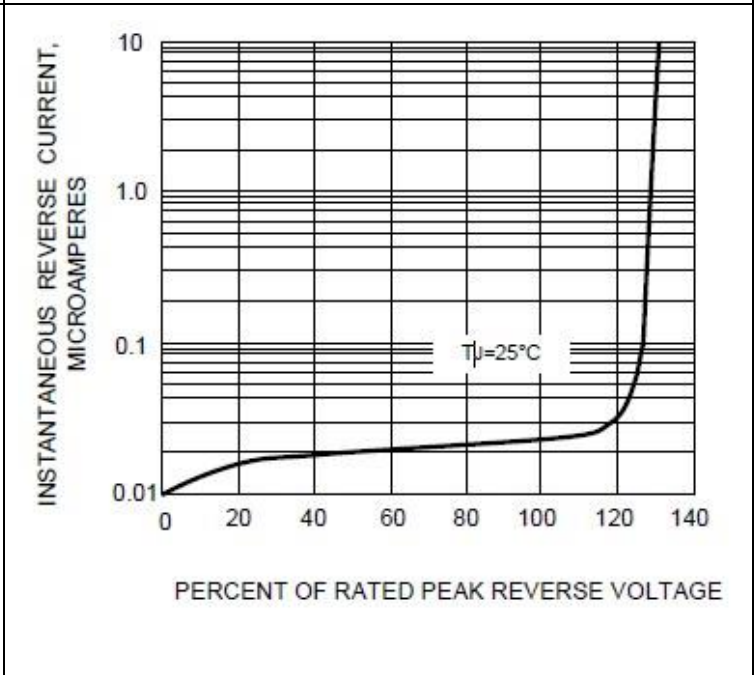


FIG.4 - TYPICAL REVERSE CHARACTERISTICS

## **GBPC15/25/35/50 SERIES**

REVERSE VOLTAGE - 50 to 1000Volts

FORWARD CURRENT - 15/25/35/50Amperes

### **Disclaimer**

ALL PRODUCT, PRODUCT SPECIFICATIONS AND DATA ARE SUBJECT TO CHANGE

WITHOUT NOTICE TO IMPROVE RELIABILITY, FUNCTION OR DESIGN OR OTHERWISE.

Bruckewell Technology Inc., its affiliates, agents, and employees, and all persons acting on its or their behalf (collectively, "Bruckewell"), disclaim any and all liability for any errors, inaccuracies or incompleteness contained in any datasheet or in any other disclosure relating to any product.

Bruckewell makes no warranty, representation or guarantee regarding the suitability of the products for any particular purpose or the continuing production of any product. To the maximum extent permitted by applicable law, Bruckewell disclaims

- (i) Any and all liability arising out of the application or use of any product.
- (ii) Any and all liability, including without limitation special, consequential or incidental damages.
- (iii) Any and all implied warranties, including warranties of fitness for particular purpose, non-infringement and merchantability.

Statements regarding the suitability of products for certain types of applications are based on Bruckewell's knowledge of typical requirements that are often placed on Bruckewell products in generic applications.

Such statements are not binding statements about the suitability of products for a particular application. It is the customer's responsibility to validate that a particular product with the properties described in the product specification is suitable for use in a particular application. Parameters provided in datasheets and/or specifications may vary in different applications and performance may vary over time.

Product specifications do not expand or otherwise modify Bruckewell's terms and conditions of purchase, including but not limited to the warranty expressed therein.