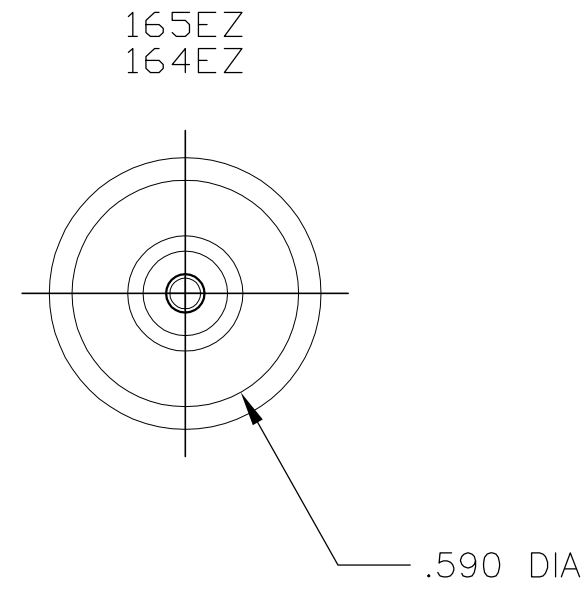
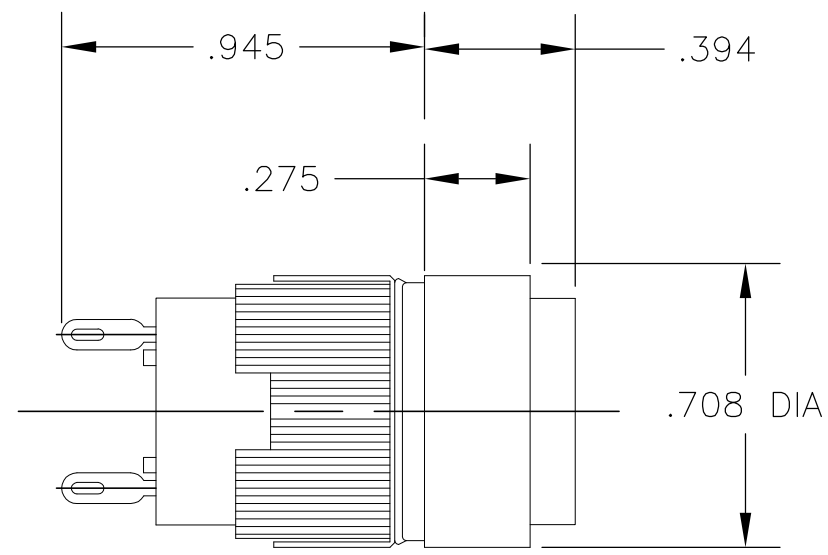
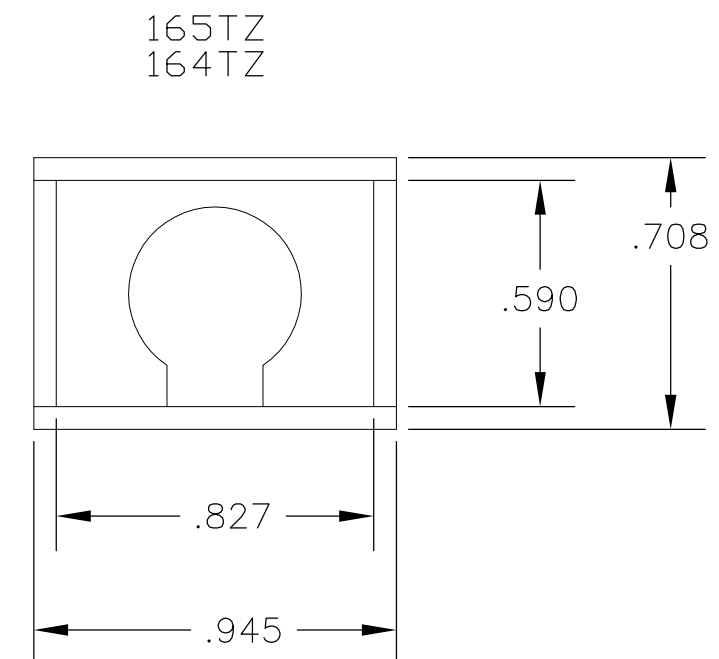
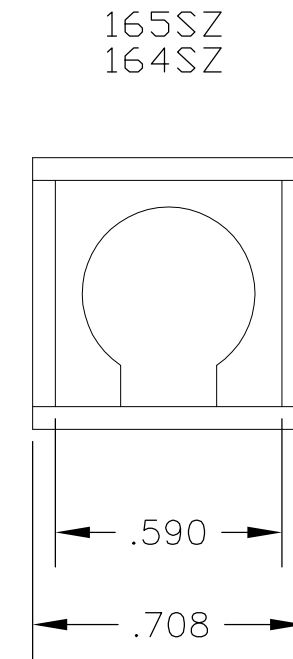


THIS DRAWING IS UNPUBLISHED. RELEASED FOR PUBLICATION  
 © COPYRIGHT - By - ALL RIGHTS RESERVED.

LOC	DIST	REVISIONS			
P	LTR	DESCRIPTION	DATE	DWN	APVD
AD	00	B1	REVISED PER ECO-11-005027	11MAR11	RK HMR



SIDE VIEW  
(SEE NOTE 3)



SPECIFICATIONS:

- LAMP DISSIPATION: 1.2W MAX.
- INSULATION RESISTANCE: 100 MEGOHMS MIN.
- DIELECTRIC STRENGTH: 2000 VAC.
- OPERATING TEMPERATURE: -20°C TO +50°C (-4°F TO +122°F).

NOTES:

- LAMP IS T 3/4 MIDGET FLANGE BASE TYPE (LAMP NOT SUPPLIED).
- 164 IS NON-DILTIGHT SERIES, 165 IS DILTIGHT SERIES.
- VIEWS INCLUDE PLASTIC SHROUDS FOR AVAILABLE LENS SETS, (NOT SUPPLIED).

- 4 THE PLATINGS CONTAINED IN THIS PART SHALL CONTAIN NO LEAD.
- 5 PRELIMINARY PART, NOT RELEASED FOR PRODUCTION.

1571542-4	165TZ	4 5
1571542-3	164TZ	
1571542-2	164SZ	
1571542-1	164EZ	
5-1437569-9	165TZ	
5-1437569-3	165SZ	
4-1437569-6	165EZ	
4-1437569-1	164TZ	
3-1437569-2	164SZ	
1437569-8	164EZ	
PART No.	MODEL NUMBER	COMMENTS

REF AUGAT 81091

DIMENSIONS:		TOLERANCES UNLESS OTHERWISE SPECIFIED:		DWN		S KIRCORIAN		5-18-94		TE Connectivity	
INCHES		0 PLC	± -	CHK	W THIA	5-19-94		NAME			
INCHES		1 PLC	± -	APVD	W THIA	5-19-94		PILOT LIGHT			
INCHES		2 PLC	± -	PRODUCT SPEC	W THIA	5-19-94		164/165 Z			
INCHES		3 PLC	± .010	APPLICATION SPEC	W THIA	5-19-94		SIZE CAGE CODE DRAWING NO RESTRICTED TO			
INCHES		4 PLC	± -	WEIGHT	W THIA	5-19-94		A2 00779 C=2-1437569-4			
INCHES		ANGLES	± -	CUSTOMER DRAWING	FINISH	-		SCALE NTS SHEET 1 OF 1 REV B1			