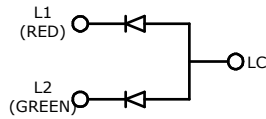
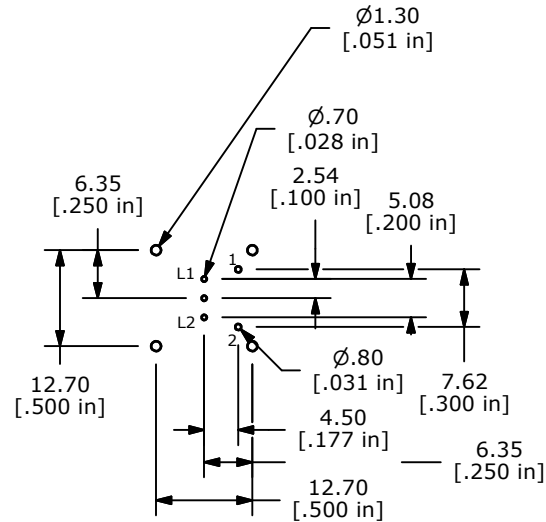




▲ CIRCUIT: SPST



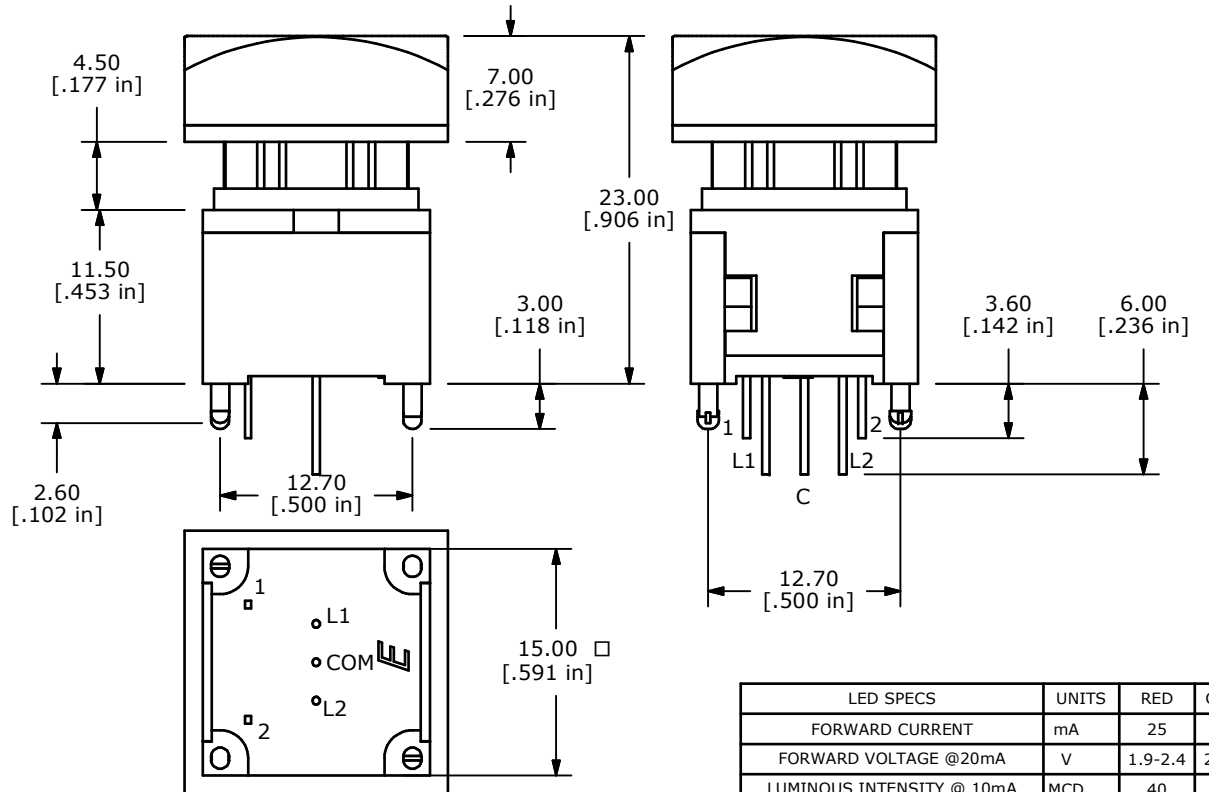
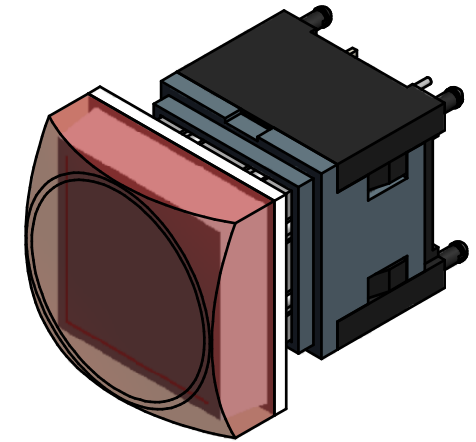
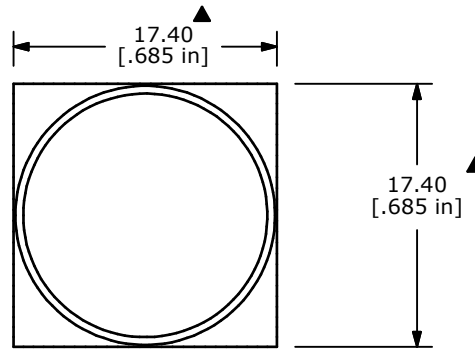
LED SCHEMATIC ▲



PCB LAYOUT

NOTES:

1. ALL DIMENSIONS IN MM [INCH]
2. GENERAL TOLERANCE: X.X=±0.4
X.XX=±0.25
3. TERM. NOS. FOR REFERENCE ONLY.
4. RATING: 12VDC, 100mA
5. CONTACT MATERIAL: GOLD PLATED
6. CONTACT RESISTANCE: 200 MILLI-OHM MAX.
7. INSULATION RESISTANCE: 500VDC, 100 MEGA-OHM MIN.
- ▲ 8. OPERATING FORCE: 250±100GF
9. MECHANICAL LIFE: 1,000,000 CYCLES
10. OPERATING TEMP: -20°C TO +70°C
11. LED COLORS: RED-GREEN
12. TRAVEL: 4.50mm±0.20
13. 2002/95/EC (ROHS) COMPLIANT
14. ▲ DENOTES CRITICAL PARAMETER.



| LED SPECS | UNITS | RED | GREEN |
|---------------------------|-------|---------|---------|
| FORWARD CURRENT | mA | 25 | 25 |
| FORWARD VOLTAGE @20mA | V | 1.9-2.4 | 2.0-2.4 |
| LUMINOUS INTENSITY @ 10mA | MCD | 40 | 250 |



| REV | PCR NO | DESCRIPTION | DATE | BY |
|-----|--------|---------------------------------|----------|-----|
| C | 21454 | CHANGE CONTACT MATERIAL TO GOLD | 5/13/14 | EBP |
| B | 19357 | UPDATE HOUSING, COVER, PLUNGER | 11/08/10 | BMA |
| A | 18207 | New Release | 8/12/08 | rc |

TITLE LP110A1NCSRG

| | | | | | | | | | |
|-------|---|------|-----------|----|----|-----|---------|-----|---|
| SCALE | 2 | DATE | 4/29/2008 | DR | rc | DWG | B230005 | REV | C |
|-------|---|------|-----------|----|----|-----|---------|-----|---|

THE INFORMATION CONTAINED IN THIS DOCUMENT IS PROPRIETARY TO E-SWITCH AND IS NOT TO BE COPIED OR TRANSFERRED