

---

### Features

---

- Low capacitance. (C = 0.85 pF max)
- High reliability with glass seal.

---

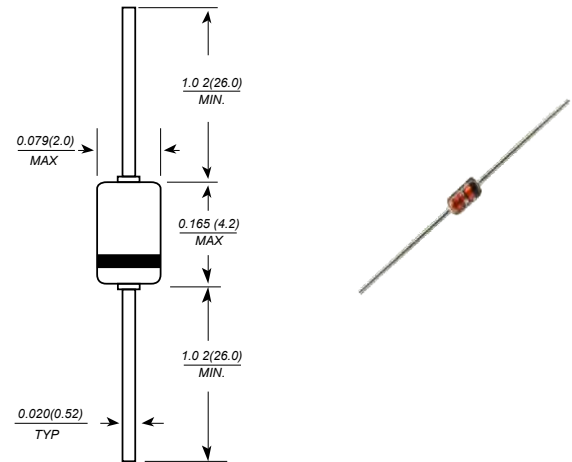
### Mechanical Data

---

- Case: DO-35, glass case
- Polarity: Color band denotes cathode
- Weight: 0.004 ounces, 0.13 grams



### DO-35(GLASS)



Dimensions in millimeters

---

### Maximum Ratings and Electrical Characteristics @ T<sub>A</sub> = 25°C unless otherwise specified

---

Characteristic	Symbol	Value	Unit
Reverse voltage	V <sub>R</sub>	3	V
Average rectified current	I <sub>o</sub>	30	mA
Power dissipation	P <sub>d</sub>	150	mW
Junction temperature	T <sub>j</sub>	100	°C
Storage temperature	T <sub>stg</sub>	-55 to +100	°C

Characteristic	Symbol	Min	Typ	Max	Unit	Test Condition
Forward current	I <sub>F</sub>	8	—	—	mA	V <sub>F</sub> = 0.5 V
Reverse current	I <sub>R</sub>	—	—	50	μA	V <sub>R</sub> = 0.5 V
Reverse voltage	V <sub>R</sub>	3.0	—	—	V	I <sub>R</sub> = 1 mA
Capacitance	C	—	—	0.85	pF	V <sub>R</sub> = 0.5 V, f = 1 MHz
ESD-Capability *	—	30	—	—	V	C = 200 pF, R = 0 Ω, Both forward and reverse direction 1 pulse.

Note: Failure criterion ; I<sub>R</sub> > 50 μA at V<sub>R</sub> = 0.5 V

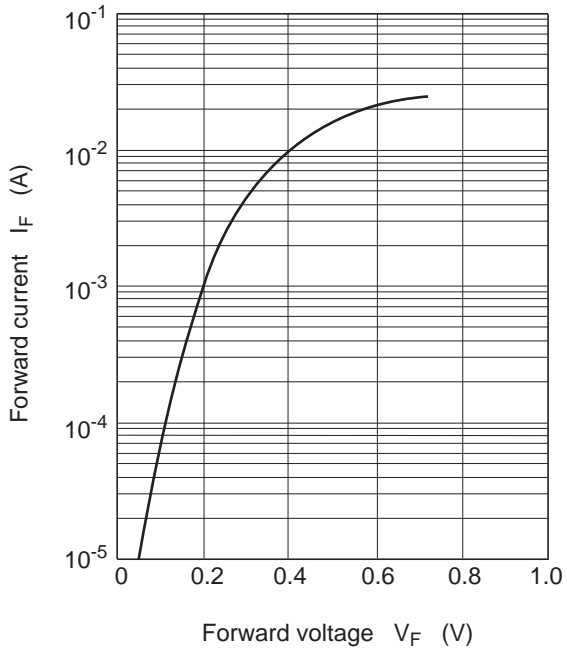


Fig.1 Forward current vs. Forward voltage

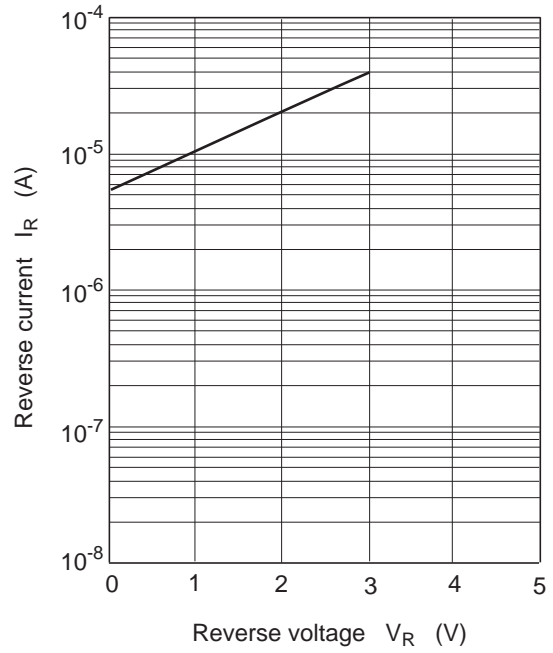


Fig.2 Reverse current vs. Reverse voltage

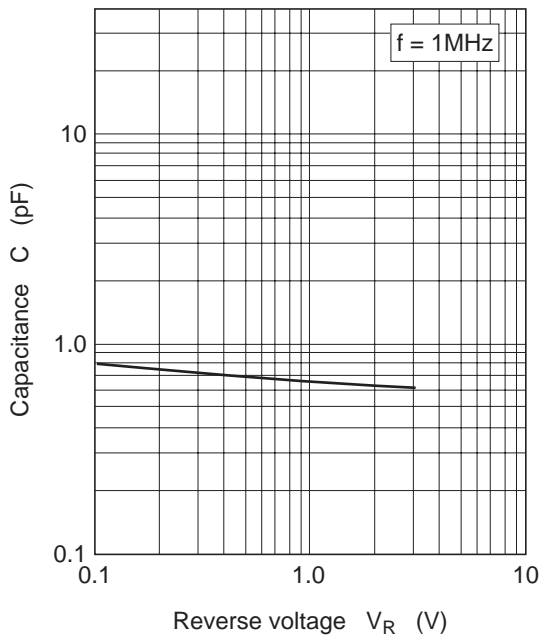


Fig.3 Capacitance vs. Reverse voltage