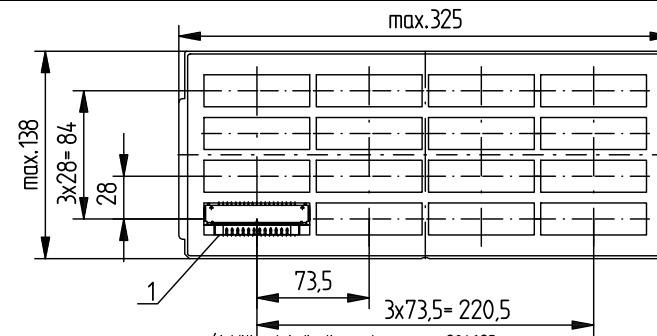


Anschlussbereich verzinkt
terminal area tin plating

Koplanarität der Anschlüsse ≤ 0,1 mm
coplanarity area of termination ≤ 0,1 mm

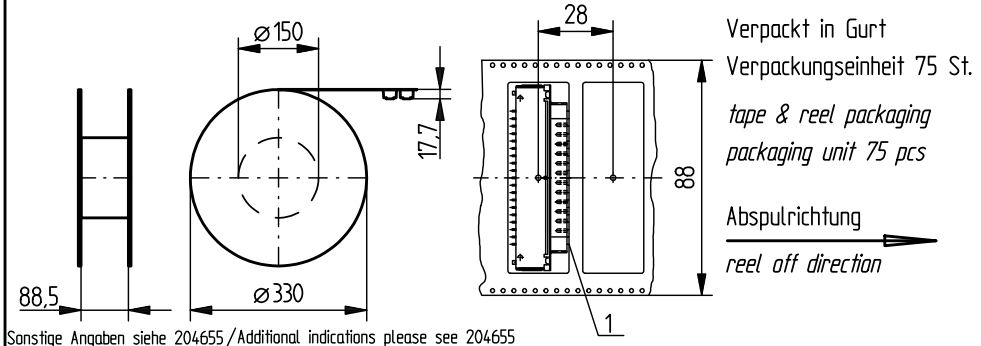
Anforderungsstufe: 2
class: 2

	174419	∅3,2			
	154202			#4-40	
	154201			M 3	
	154200		#4-40		
	154199		M 3		
Ident-Nr part-no. tape & reel	Ident-Nr part-no. tray	ohne without	Mutter thread	Bolzen bolt	Bemerkung remark



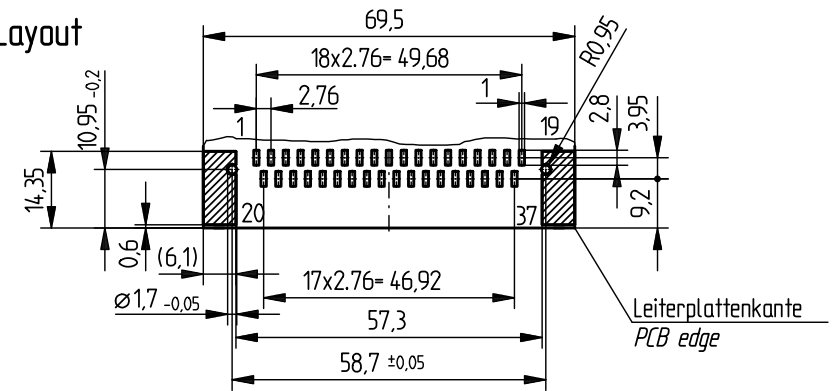
Verpackt in Tray
Verpackungseinheit 16 St.
tray packaging
packaging unit 16 pcs

Sonstige Angaben siehe 204629 / Additional indications please see 204629



Sonstige Angaben siehe 204655 / Additional indications please see 204655

Layout



Fehlende Masse und Angaben siehe DIN 41652 / Missing information and dimensions according to DIN 41652

Sonstige Angaben siehe Fertigungsunterlagen / Additional indications please see the production documentation

Information:	Tolerances ISO 2768-m	 All Dimensions in mm	Scale	2:1
	Designation TMC-P 37-SMD-Standard TMC-P 37-SMD-Standard			
All rights reserved. Only for information. To insure that this is the latest version of this drawing, please contact one of the ERNI companies before using.		Subject to modification without prior notice. Drawing will not be updated.		Designation 144846
www.ERNI.com		H:00061860.SZA		TMCP
i	02.05.2007			
Index	Date			

Consider protection memo from DIN 34.