



SMB Plug Connector Clamp/Solder Attachment for RG178, RG196

RF Connectors Technical Data Sheet

PE4250

Configuration

- SMB Plug Connector
- MIL-STD-348A
- 50 Ohms
- Straight Body Geometry
- RG178, RG196 Interface Type
- Clamp/Solder Attachment

Features

- Max. Operating Frequency 3 GHz
- Good VSWR of 1.42:1
- Gold Plated Beryllium Copper Contact
- 30 μ m minimum contact plating

Applications

- General Purpose Test
- Custom Cable Assemblies

Description

Pasternack's PE4250 SMB plug connector with clamp/solder attachment for RG178 and RG196 is part of our full line of RF components available for same-day shipping. Our SMB plug connector operates up to a maximum frequency of 3 GHz and offers good VSWR of 1.42:1.

Our SMB plug connector PE4250 datasheet specifications and drawing with dimensions are shown below in this PDF. Pasternack's broad catalog of RF, microwave and millimeter wave connectors allows designers to configure and customize their signal connections however they like. Whether the need is to provide an I/O for a board design, or simply create a custom cable assembly configuration, Pasternack has the right connector for the job. Pasternack can also expertly build your custom cable assemblies for you and ship same-day.

Electrical Specifications

Description	Minimum	Typical	Maximum	Units
Frequency Range	DC		3	GHz
VSWR			1.42:1	
Operating Voltage (AC)			250	Vrms

Mechanical Specifications

Size	
Length	0.73 in [18.54 mm]
Width/Dia.	0.25 in [6.35 mm]
Weight	0.013 lbs [5.9 g]

Click the following link (or enter part number in "SEARCH" on website) to obtain additional part information including price, inventory and certifications: [SMB Plug Connector Clamp/Solder Attachment for RG178, RG196 PE4250](#)



SMB Plug Connector Clamp/Solder Attachment for RG178, RG196

RF Connectors Technical Data Sheet

PE4250

Material Specifications

Description	Material	Plating
Contact	Beryllium Copper	Gold 30 µin minimum
Insulation	PTFE	
Body	Brass	Nickel 100 µin minimum
Coupling Nut	Brass	Nickel 100 µin minimum

Environmental Specifications

Temperature

Operating Range

-65 to +165 deg C

Compliance Certifications (see [product page](#) for current document)

Plotted and Other Data

Notes:

Assembly Instruction

SMB Plug Connector Clamp/Solder Attachment for RG178, RG196 from Pasternack Enterprises has same day shipment for domestic and International orders. Our RF, microwave and millimeter wave products maintain a 99.4% availability and are part of the broadest selection in the industry.

Click the following link (or enter part number in "SEARCH" on website) to obtain additional part information including price, inventory and certifications: [SMB Plug Connector Clamp/Solder Attachment for RG178, RG196 PE4250](#)

URL: <https://www.pasternack.com/smb-plug-standard-rg178-rg196-connector-pe4250-p.aspx>

The information contained in this document is accurate to the best of our knowledge and representative of the part described herein. It may be necessary to make modifications to the part and/or the documentation of the part, in order to implement improvements. Pasternack reserves the right to make such changes as required. Unless otherwise stated, all specifications are nominal. Pasternack does not make any representation or warranty regarding the suitability of the part described herein for any particular purpose, and Pasternack does not assume any liability arising out of the use of any part or documentation.

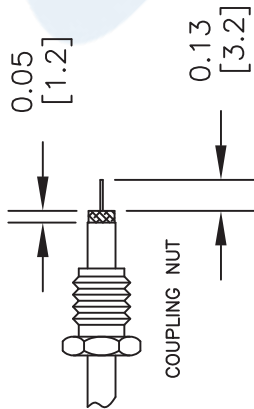
PE4250 CAD Drawing

SMB Plug Connector Clamp/Solder Attachment for RG178, RG196

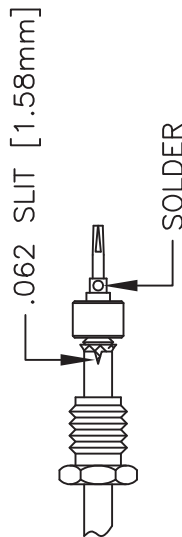


ASSEMBLY PROCEDURES

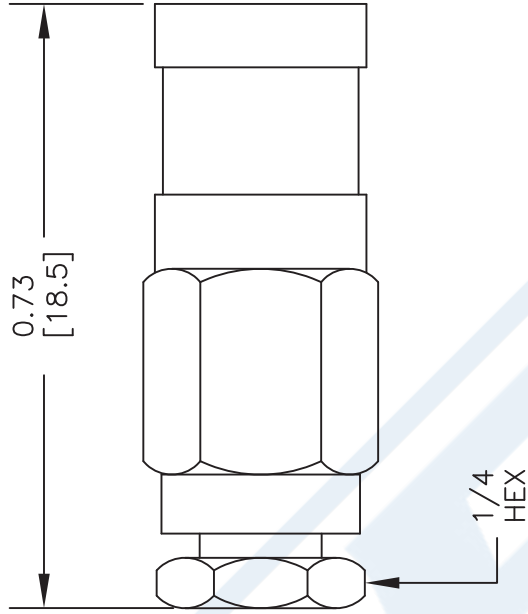
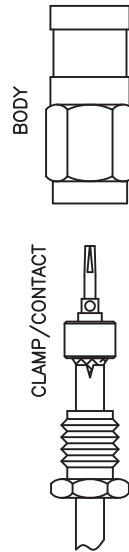
1. SLIDE CLAMP NUT OVER CABLE. STRIP CABLE AS SHOWN, DO NOT NICK CENTER CONDUCTOR. ROTATE DIELECTRIC TO FLARE BRAID.



2. SLIDE CLAMP/CONTACT ASSEMBLY OVER DIELECTRIC AND UNDER BRAID UNTIL IT STOPS AND CENTER CONDUCTOR IS VISIBLE IN THE CONTACT SIDE HOLE. JACKET MAY BE SLIT TO HELP THE ENTRY OF CLAMP, IF REQUIRED. SOLDER CONTACT TO CENTER CONDUCTOR.



3. INSERT CABLE ASSEMBLY INTO BODY & TIGHTEN.



DWG TITLE

PE4250

NOTES:
 1. UNLESS OTHERWISE SPECIFIED ALL DIMENSIONS ARE NOMINAL.
 2. ALL SPECIFICATIONS ARE SUBJECT TO CHANGE WITHOUT NOTICE AT ANY TIME.
 3. DIMENSIONS ARE IN INCHES [mm].
 4. FITS MIL-C-17 AND EQUIVALENT CABLES.

PE PASTERNAK®
 Pasternack Enterprises, Inc.
 P.O. Box 16759 | Irvine | CA | 92623
 Phone: (949) 261-1920 | Fax: (949) 261-7451
 Website: www.pasternack.com | E-Mail: sales@pasternack.com

REV. B FSCM NO. 53919

CAD FILE 120911

SCALE N/A

SIZE A

2233