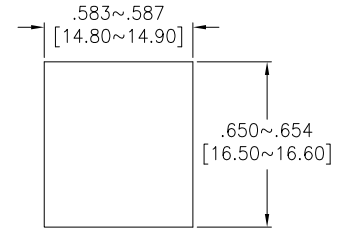
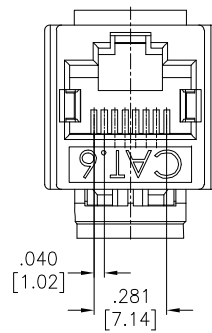
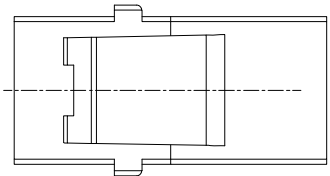
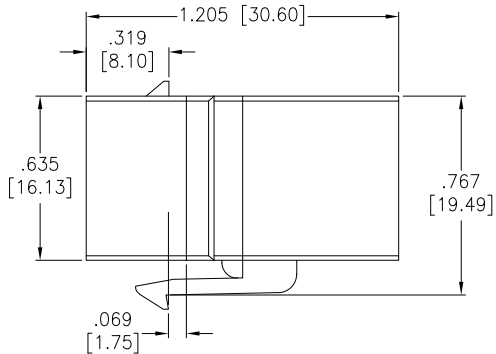
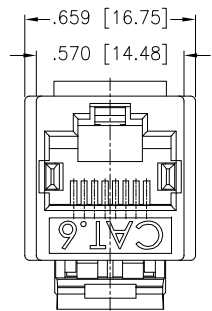
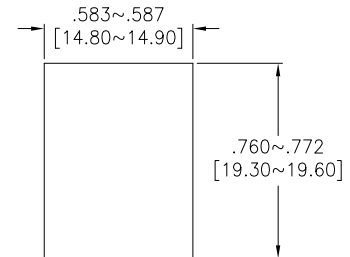


APPROVED: _____
 DATE: _____ TITLE: _____

Rev	AWO #	Description	Date	Appr
-		RELEASED	2/5/16	



Front Panel Jack Only Clearance
w/o Latch Feature



Single Panel Jack Only Clearance
Panel Thickness 1.60mm

SPECIFICATIONS:

Material:
 Insulator: ABS, rated UL 94V-0
 Insulator color: Black
 Contacts: Phosphor Bronze
 Plating:
 Gold over Nickel underplate on contact area,
 Tin over Copper underplate between contact areas
 (See Chart for Thickness)

Electrical:
 Operating voltage: 125 VAC max.
 Current rating: 1.5 Amps max.
 Contact resistance: 60 mohms max.
 Insulation resistance: 1000 Mohms min. @ 500 VDC
 Dielectric withstanding voltage: 1000 VAC for 1 minute
 Temperature Rating:
 Operating temperature: -20°C to +75°C

Environmenta:
 Leade free, RoHS Compliant



X	PLATING
0	15 µin Gold
1	30 µin Gold
2	50 µin Gold
6	6 µin Gold

UNLESS OTHERWISE SPECIFIED ALL DIMENSIONS ARE MILLIMETERS TOLERANCES: EXCEPT AS NOTED .X ± 2.54 .XX ± .508 .XXX ± .381			<h2 style="text-align: center;">ADAM TECH</h2> <p style="text-align: center;">909 Rahway Avenue, Union, NJ 07083 Phone: 908-687-5000 Fax: 908-687-5710</p>		
APPROVALS DRAWN AY DATE 2/5/16 CHECKED TW DATE 2/5/16 APPROVED					
SIZE X		PART NO. MTJC-88-X-PB-C6		REF: S00279T SCALE: NTS SHEET 1 OF 1	

6 5 4 3 2 1

6 5 4 3 2 1

D

D

C

C

B

B

A

A