

## SPECIFICATION

- Part No. : **GP.1575.35.3.A.02**
- Product Name : 3.5mm thick GPS Patch Antenna, 1575MHz
- Features : 35mm\*35mm\*3.5mm  
ROHS Compliant



## 1. Introduction

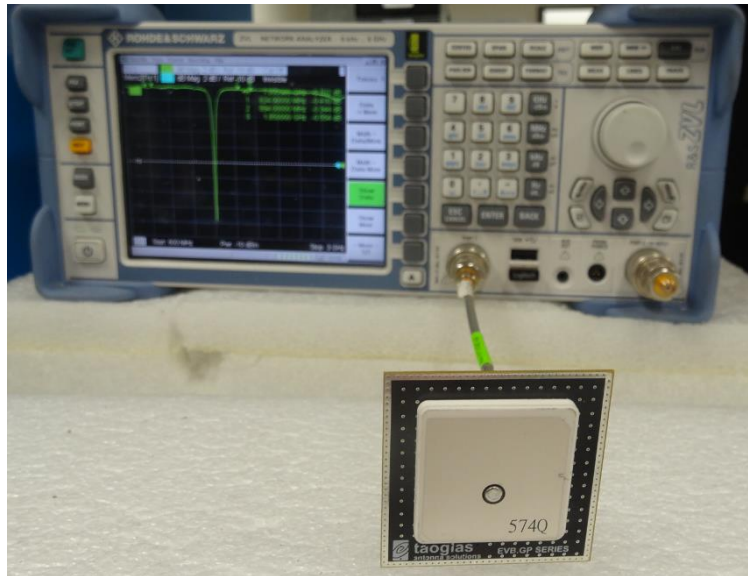
This 35\*35mm ceramic GPS/GALILEO patch antenna is based on smart *XtremeGain*™ technology. It is mounted via pin and double-sided adhesive and has been tuned as the optimal solution for the customer device environment.

## 2. Key Antenna Performance Indicators

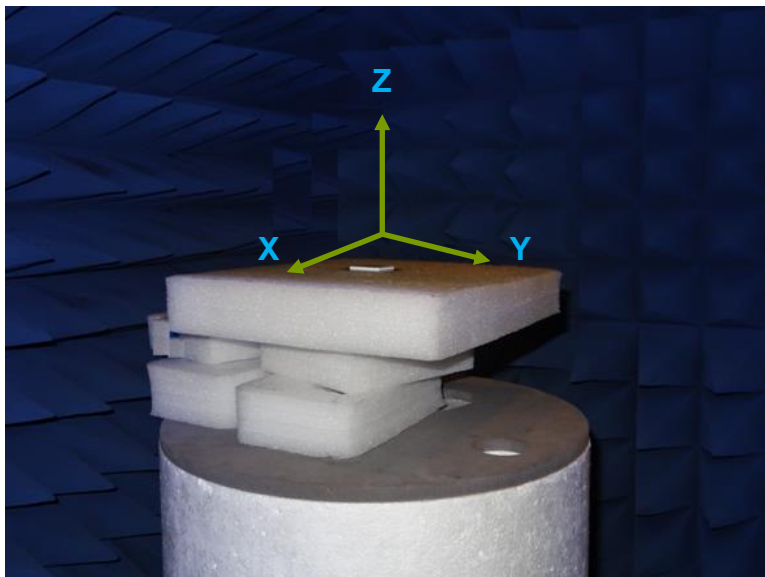
Original Patch Specification tested on 50\*50mm ground plane

No	Parameter	Specification
1	Center Frequency	1575MHz ± 6MHz
2	Bandwidth	22MHz min
3	VSWR	1.5 max
4	Gain at Zenith	2.0 dBic typ.
5	Gain at 10°elevation	1.5dBic typ.
6	Axial Ratio	3 dB max
7	Polarization	RHCP
8	Impedance	50 Ohms
9	Frequency Temperature Coefficient ( $\tau_f$ )	0 ± 20ppm / °C
10	Operating Temperature	-40°C to +85°C

### 3. Test Setup



**Figure 1.** Return Loss measurement.



**Figure 2.** Peak gain, average gain, efficiency and radiation pattern measurements.

## 4. Antenna Parameters

### 4.1. Return Loss

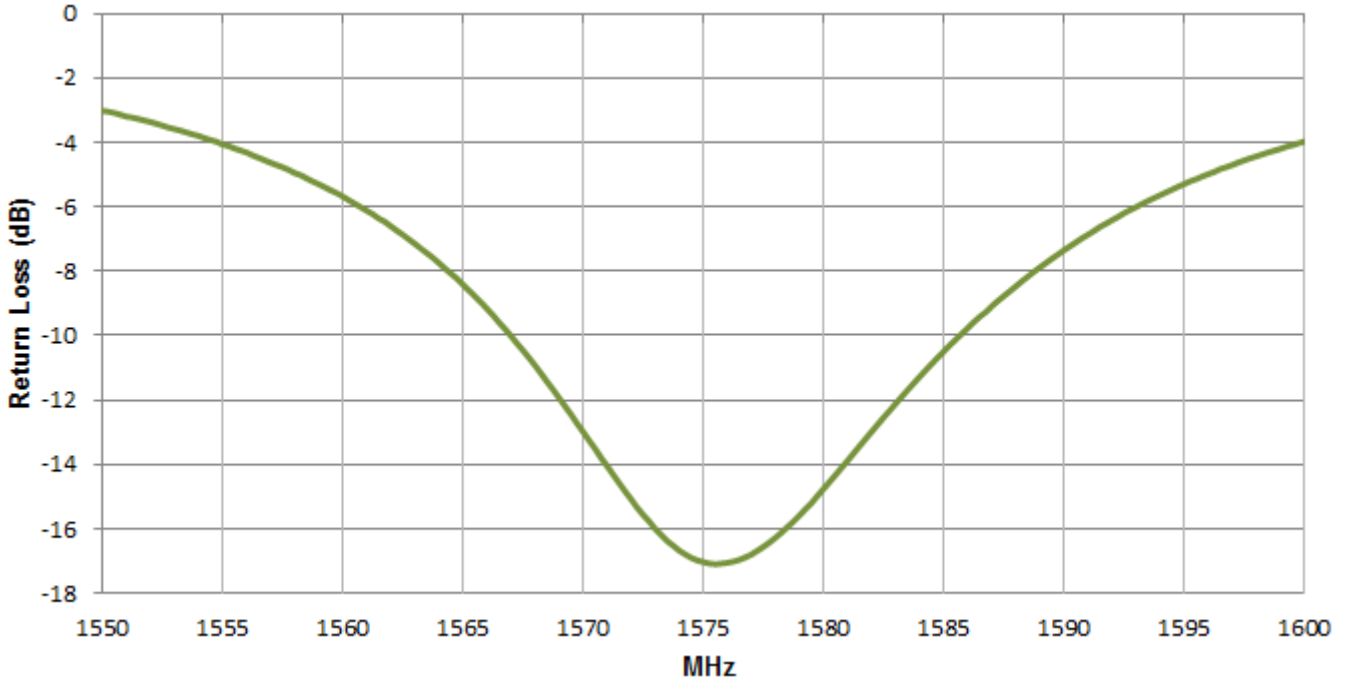


Figure 3. Return Loss of the GP.1575.35.A.02

### 4.2. VSWR

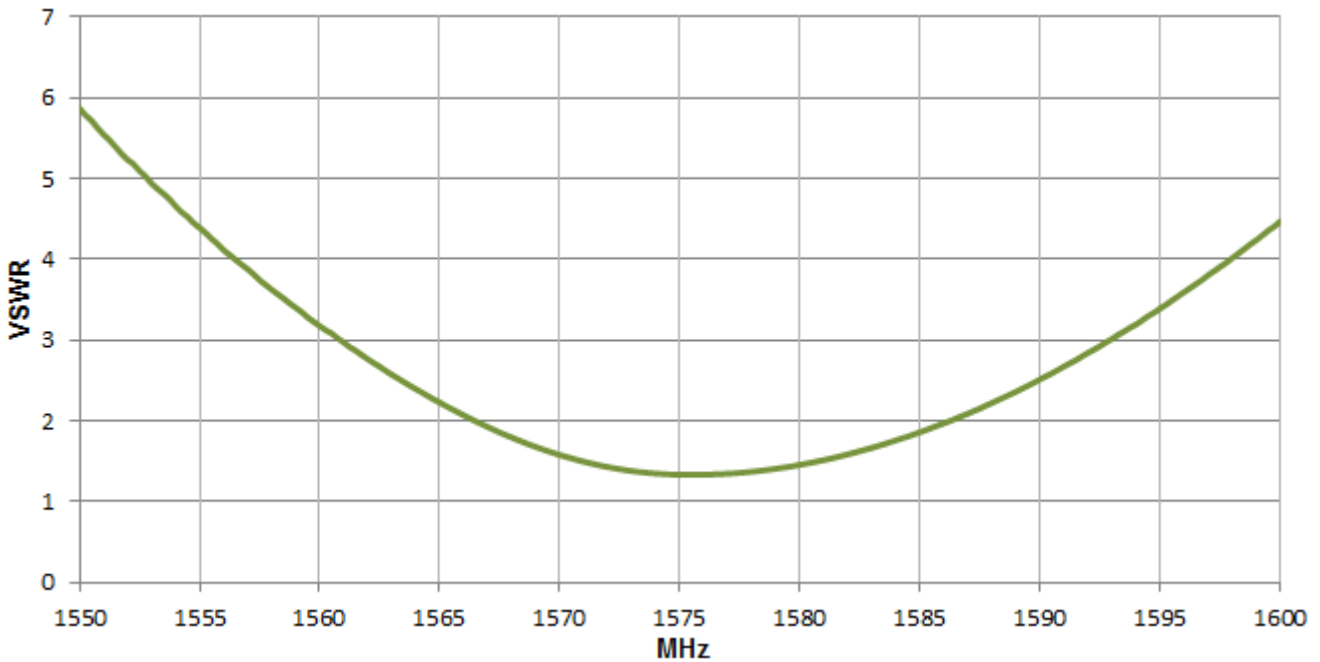
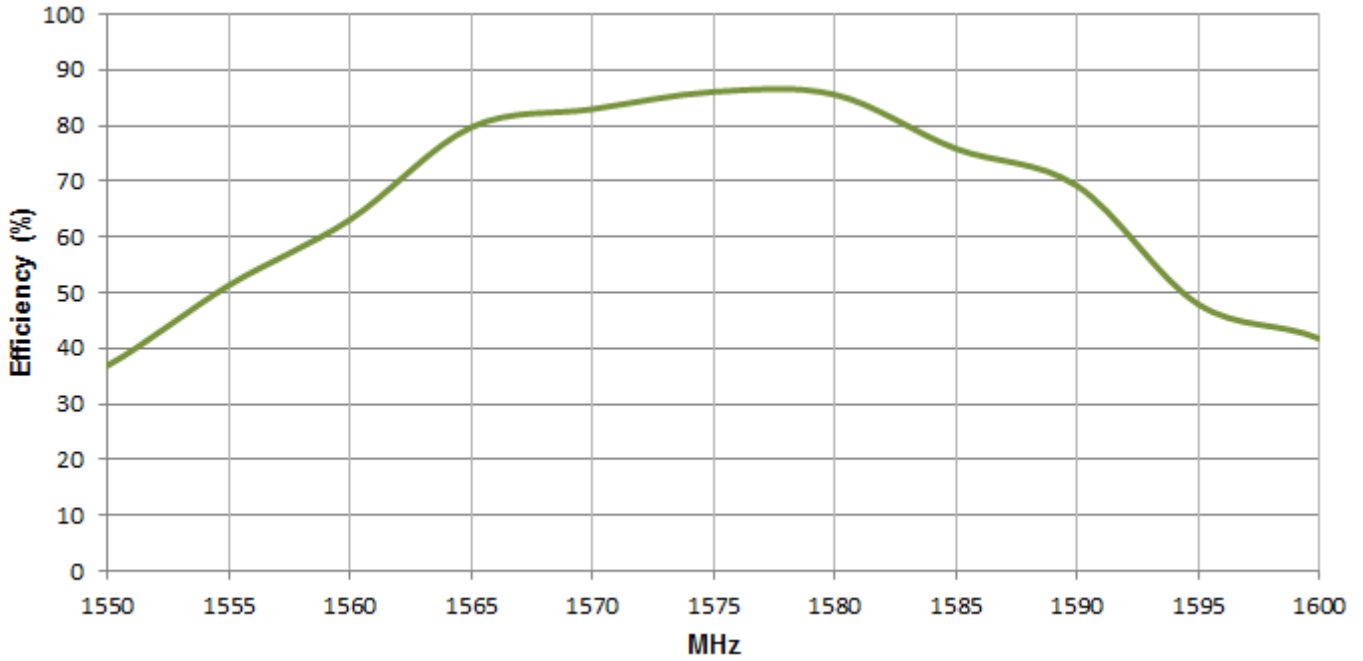


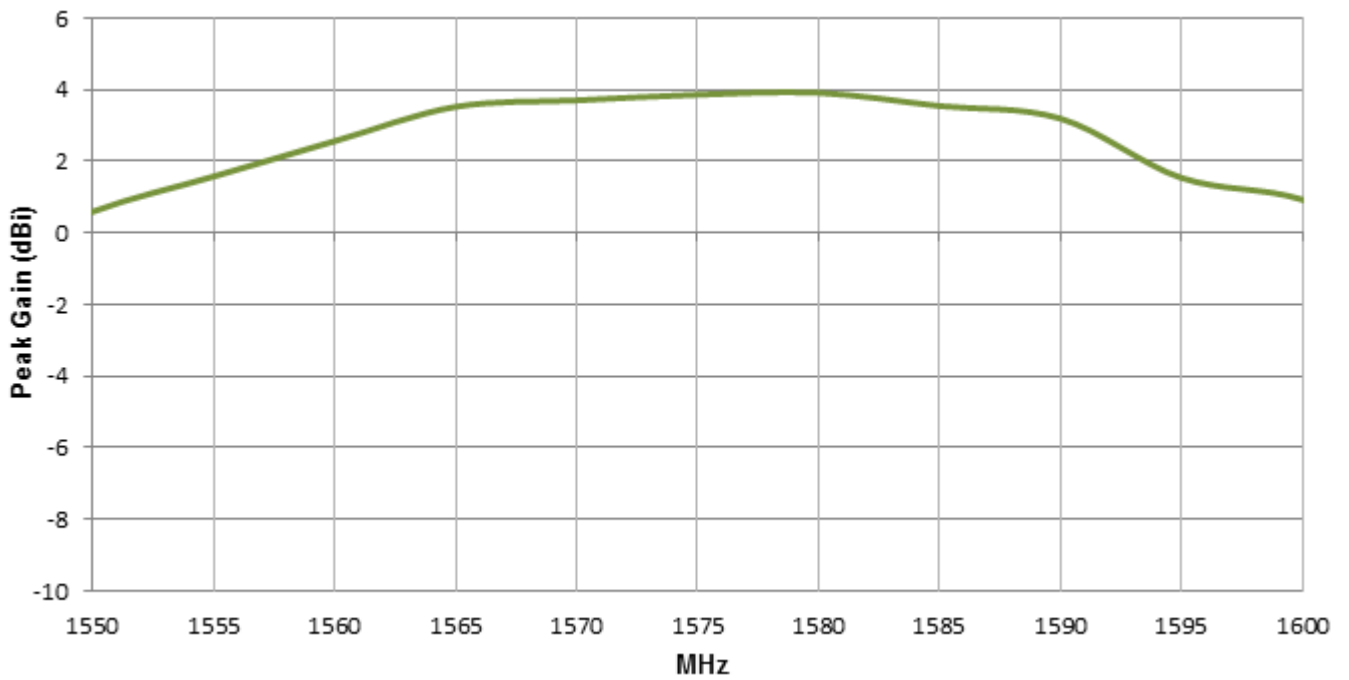
Figure 4. VSWR of the GP.1575.35.A.02

### 4.3. Efficiency



**Figure 5.** Efficiency of the GP.1575.35.A.02

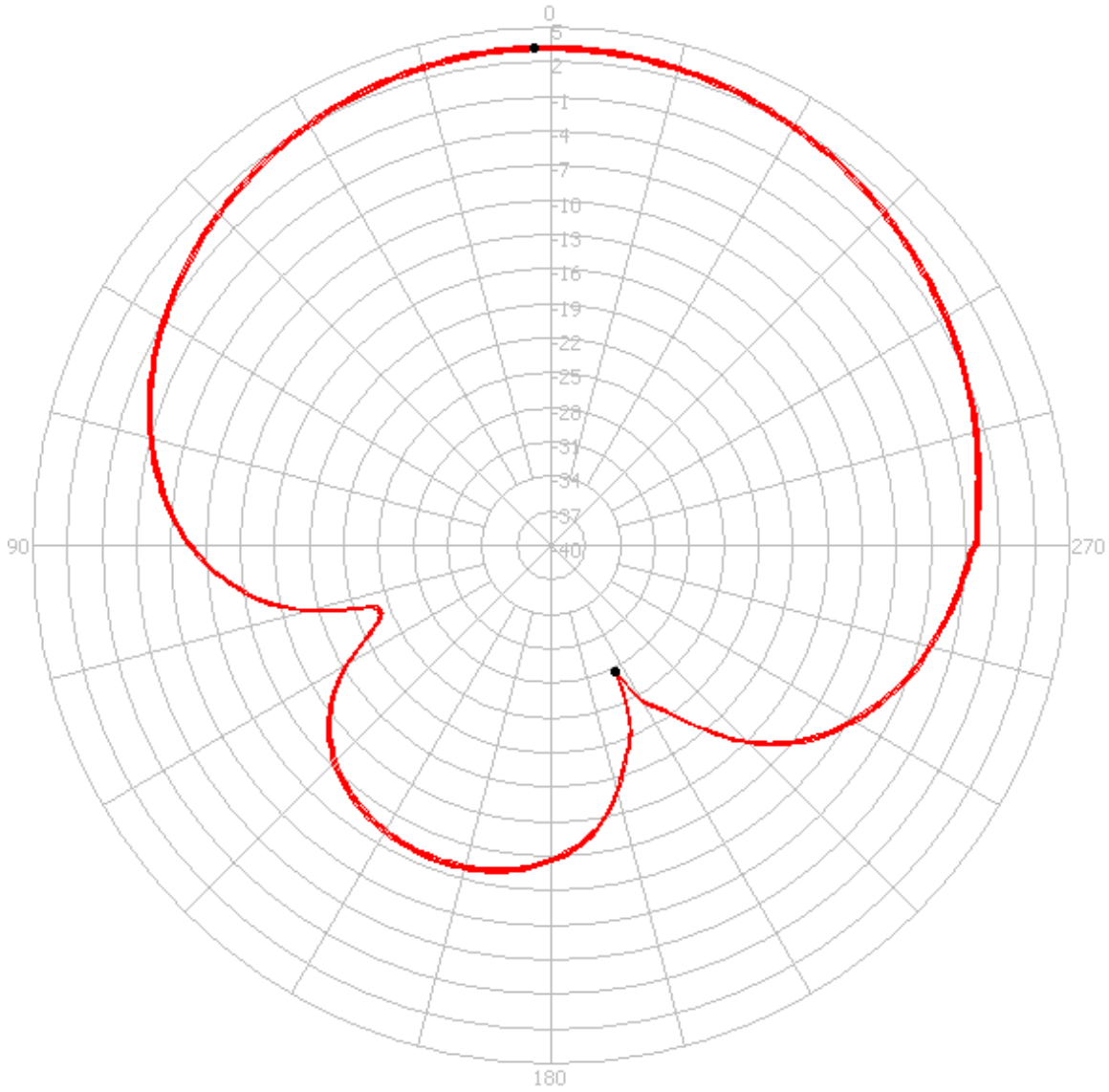
### 4.4. Peak Gain



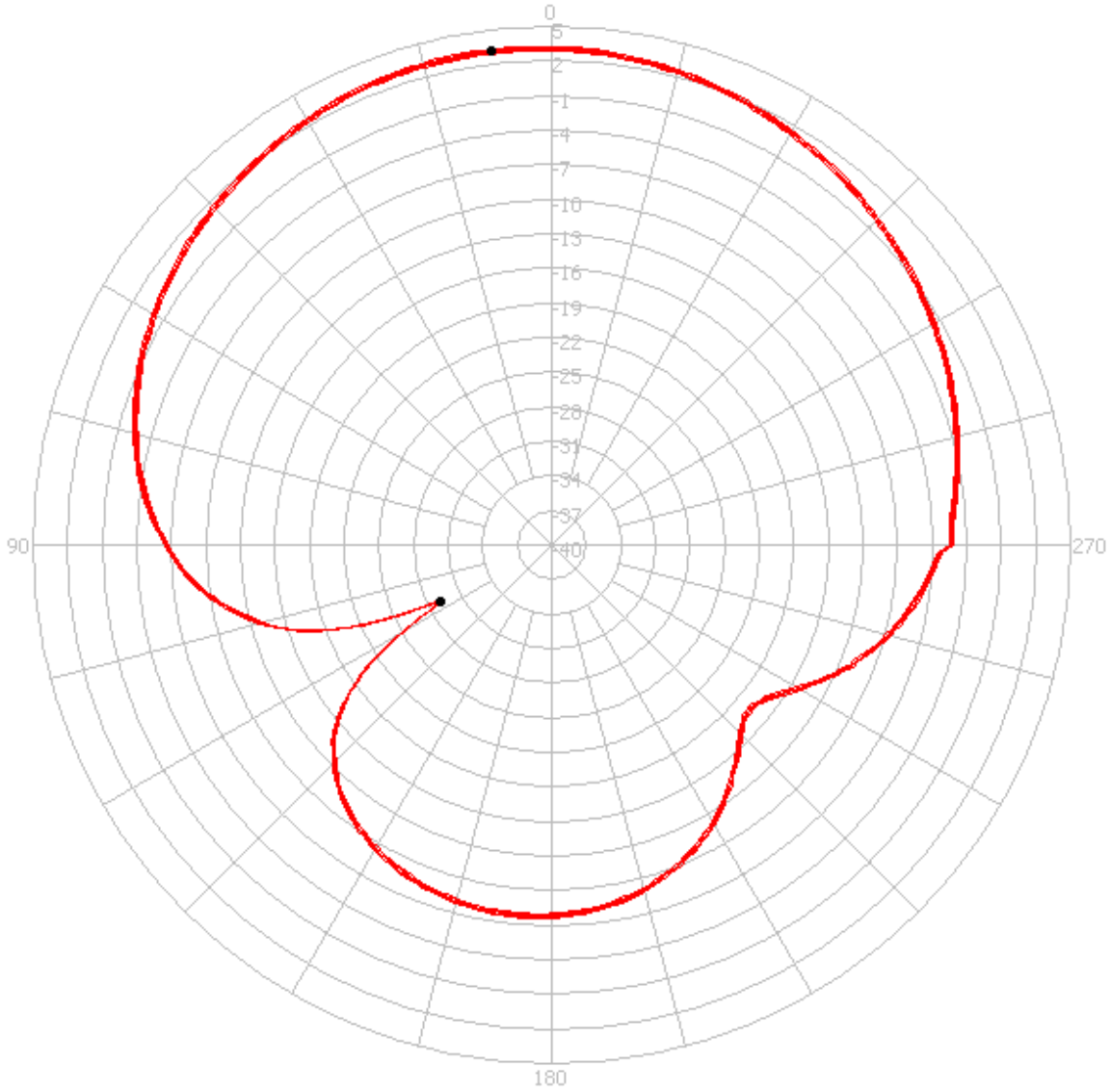
**Figure 6.** Peak Gain of the GP.1575.35.A.02.

## 5. 2D Radiation

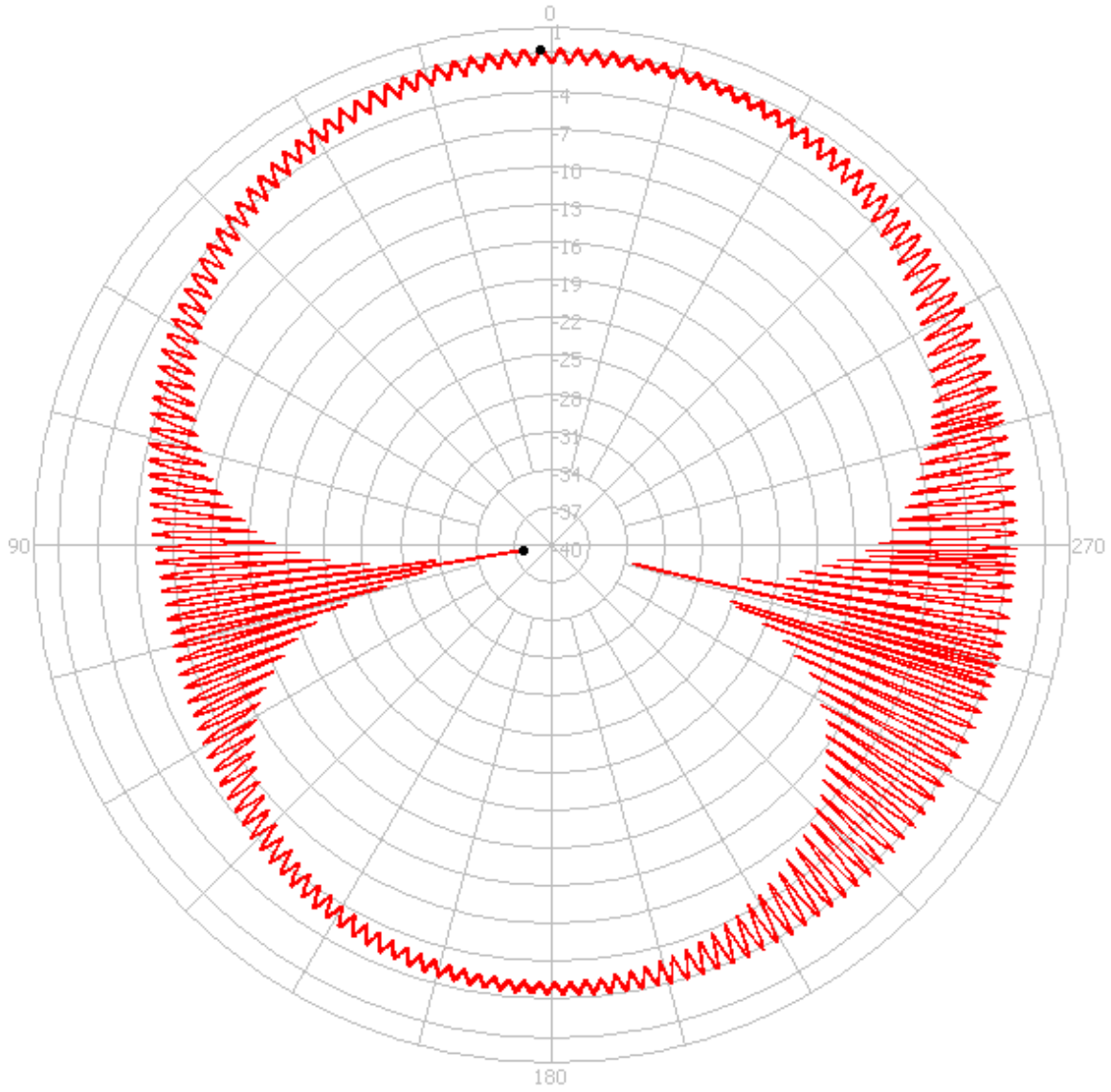
### 5.1 XZ Plane Radiation



## 5.2 YZ Plane Radiation

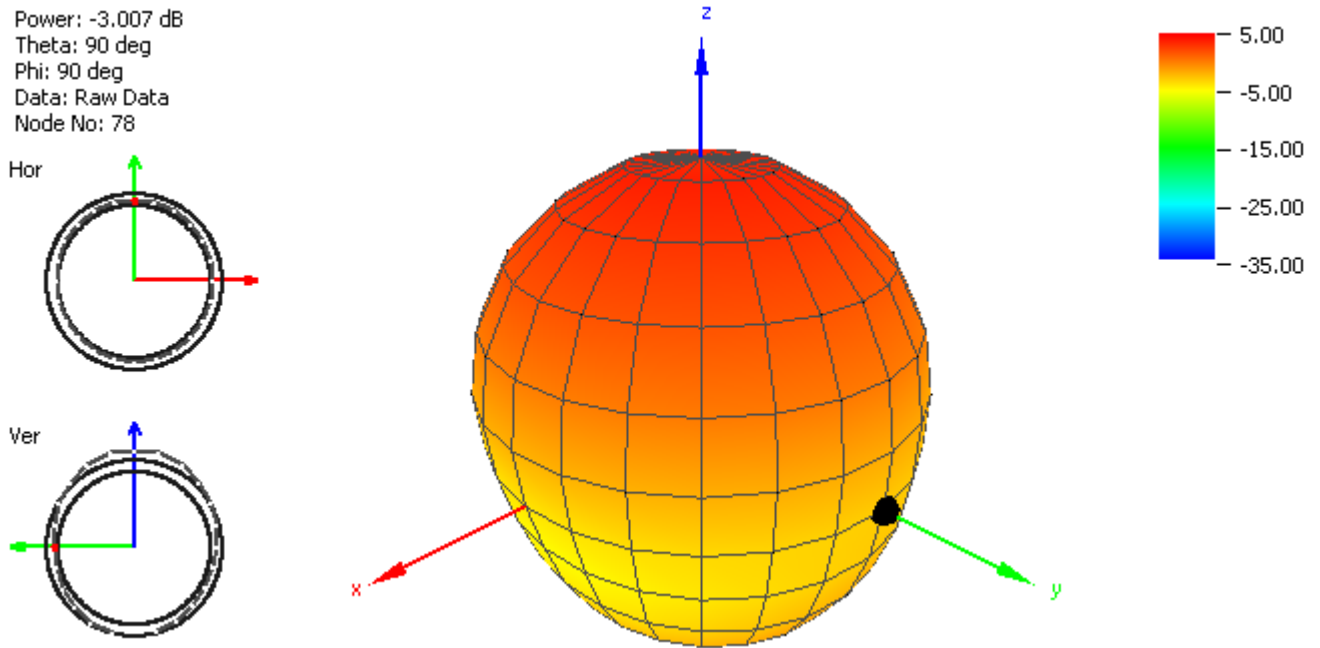


### 5.3 Axial Ratio



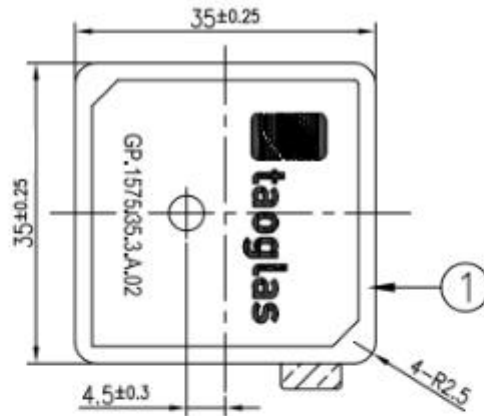


## 5.4 3D Radiation



**Figure 7.** Radiation Pattern of the GP.1575.35.A.02 at 1575Mhz.

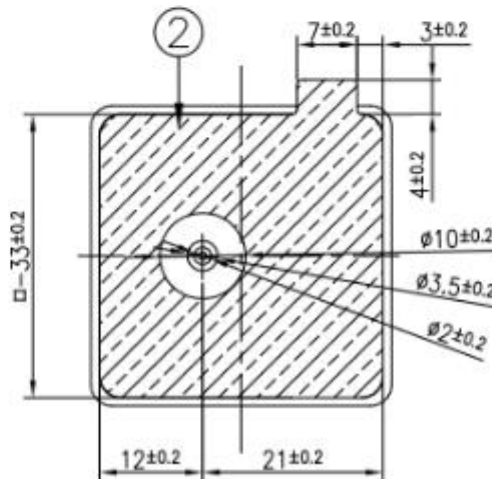
## 6 . Mechanical Drawing




Top View



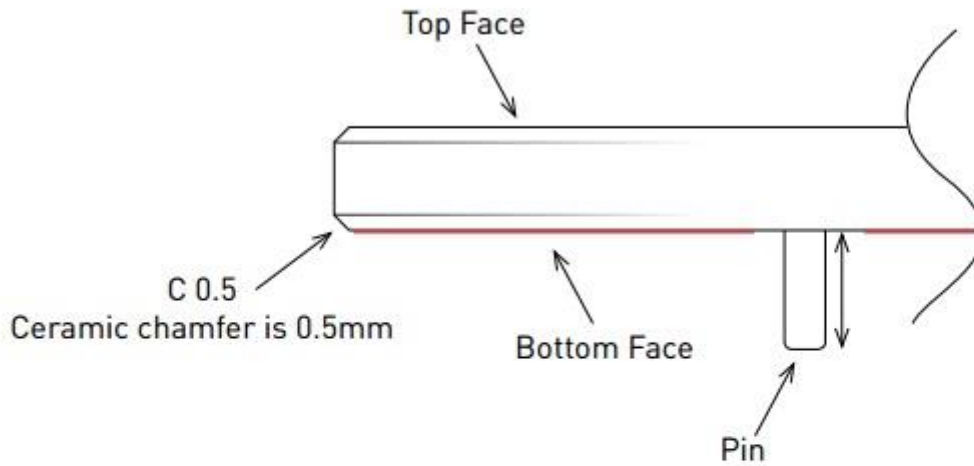
Side View



Bottom View

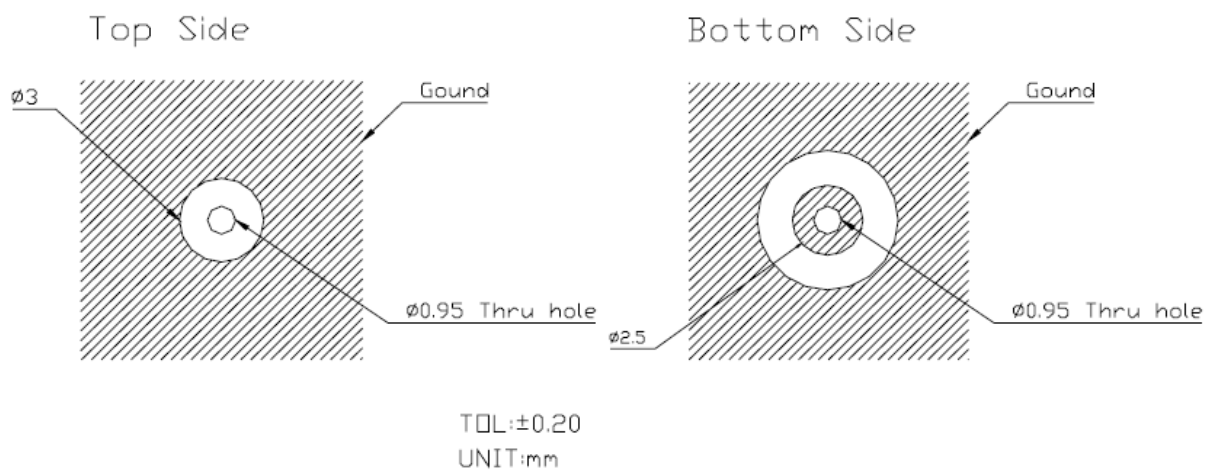
	Name	Material	Finish	QTY	NOTES:
1	GP.35 Patch 35x35x3.5	Ceramic	Clear	1	1.Double sided adhesive area. 
2	Double sided Adhesive	NITTO 5015	White Liner	1	

## 6.1 Adhesive Thickness

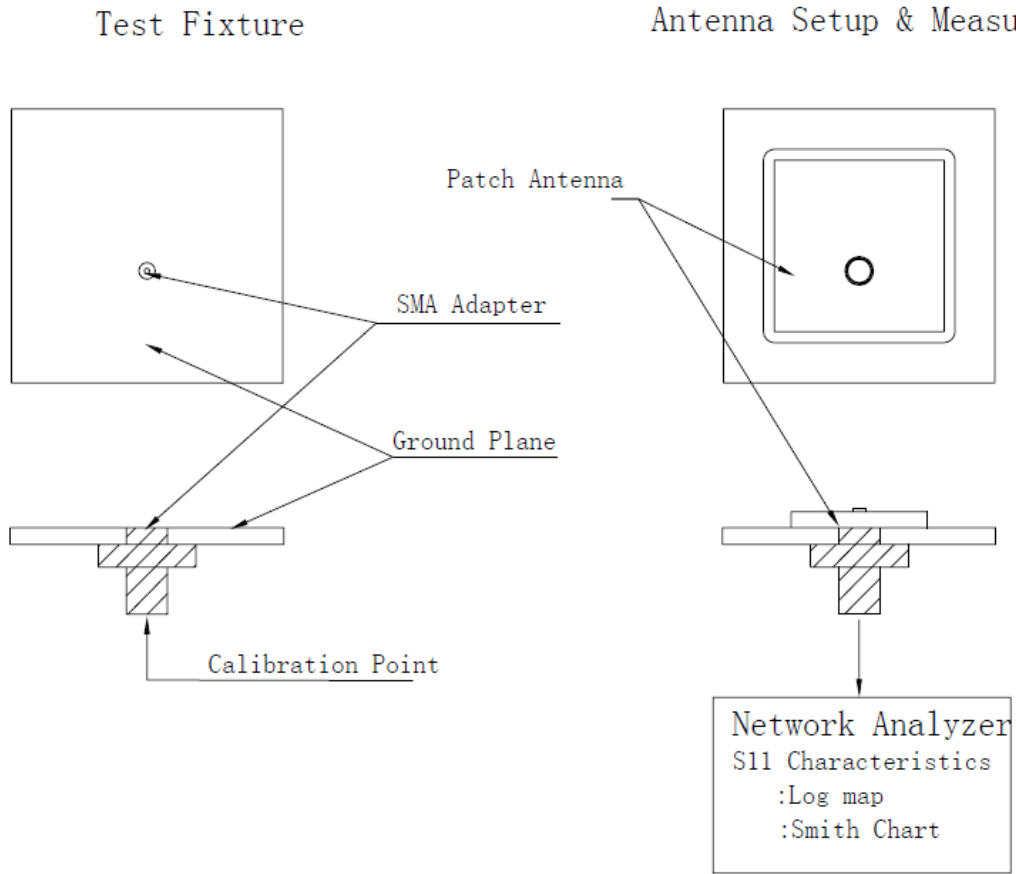


**Red Line** shows the adhesive without Liner – thickness 0.08–0.1mm

## 6.2 Layout Dimensions



### 6.3 Test Fixture Antenna Setup and Measurements

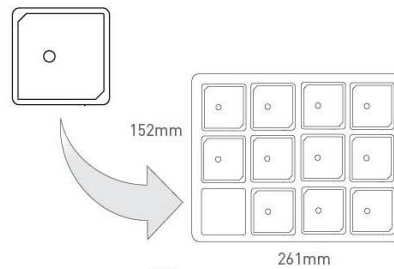


## 7. Packaging

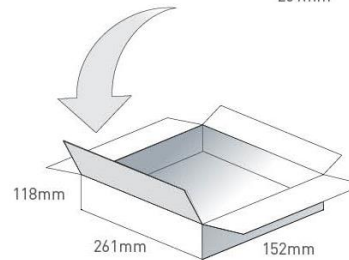
### GP.1575.35.3.A.02

#### Packaging Specifications

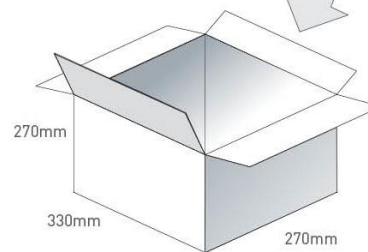
12 pcs GP.1575.35.3.A.02 per tray  
 Tray Dimensions - 261\*152mm  
 Total Weight - 270g



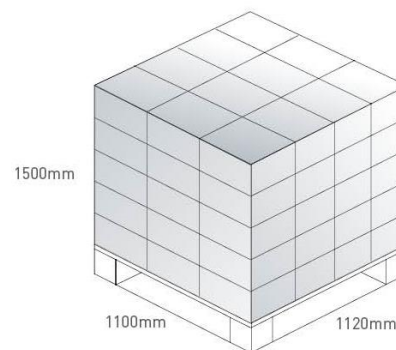
6 trays / 72 pcs per small box  
 Box Dimensions - 261\*152\*118  
 Weight - 1.6Kg



4 boxes / 288 pcs per carton  
 Carton Dimensions - 330\*280\*270mm  
 Weight - 6.6Kg



Pallet Dimensions 1100mm\*1120mm\*1500mm  
 60 Cartons per pallet  
 12 Cartons per layer  
 5 Layers



Taoglas makes no warranties based on the accuracy or completeness of the contents of this document and reserves the right to make changes to specifications and product descriptions at any time without notice. Taoglas reserves all rights to this document and the information contained herein.

Reproduction, use or disclosure to third parties without express permission is strictly prohibited.

Copyright © Taoglas Ltd.