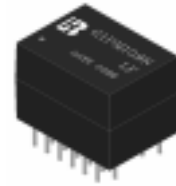


1000 BASE -T MAGNETICS MODULES

- Designed for long haul gigabit Ethernet 1000 BASE-T, full duplex applications.
- Supports 4 pairs of category 5 UTP cable.
- Cable interface for isolation and low common mode emissions.
- Compliant with IEEE 802.3ab standard for 1000 BASE-T.
- Compliance with ROHS requirements.
- Operating temperature range: 0 to +70 .
- Storage temperature range: -25 to +85 .

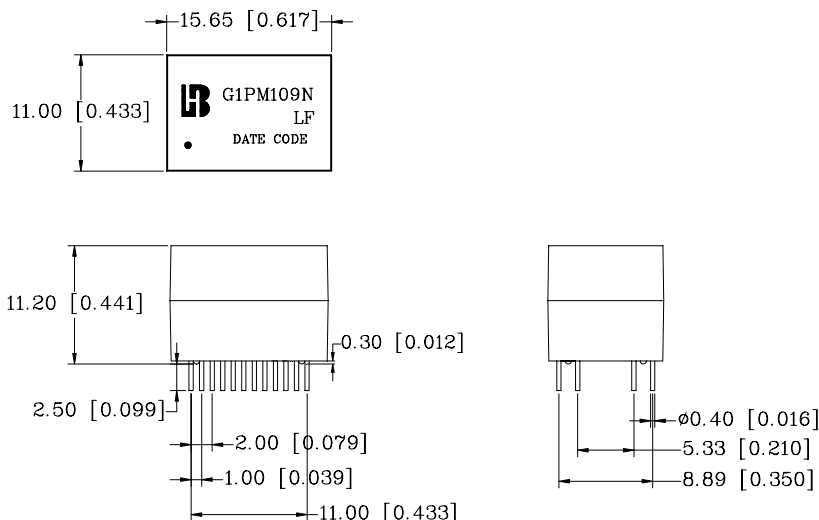


Electrical Specifications @ 25°C								
Part Number	Turns Ratio (±5%)		OCL (uH Min) @100KHz/0.1V with 8mA DC Bias	Cross talk Attenuation (dB Min)			MECH	HI-POT (Vrms)
	TX	RX		30MHz	60MHz	100MHz		
G1PM109N LF	1CT:1CT	1CT:1CT	350	-45	-40	-35	GP-A	1500
G1PM109RN LF	1CT:1CT	1CT:1CT	350	-45	-40	-35	GP-A	1500

Continue									
Part Number	Insertion Loss (dB Max)	Return Loss (dB Min)@Load 100					DCMR (dB Min)		
		1-100MHz	1-30MHz	40MHz	50MHz	60-80MHz	100MHz	30MHz	60MHz
G1PM109N LF	-1.0	-18	-14.4	-13.1	-12	-10	-43	-37	-33
G1PM109RN LF	-1.0	-18	-14.4	-13.1	-12	-10	-43	-37	-33

For customized parts or more detailed information, please log on www.bothhandusa.com or write to sales@bothhandusa.com

Mechanicals

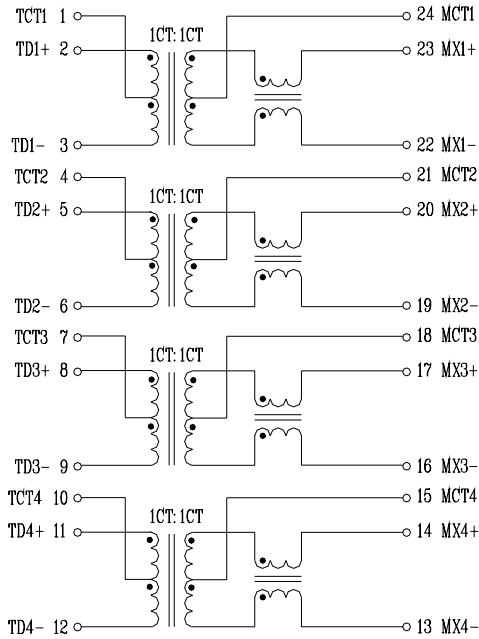


Units: mm[Inches] Tolerances XX.X0 : ±0.25[0.010]
0.XX : ±0.05[0.002]

Specification	Packing Manner	Q'ty per Tube/Reel	Q'ty/Inner box	Q'ty/Carton
GP-A	TUBE	32	1728	3456

Schematics

G1PM109N LF



G1PM109RN LF

