

### FEATURES

- High Speed (Equal Access and Cycle Times)
  - 10/12/15/20 ns (Commercial)
  - 12/15/20 ns (Industrial/Military)
- Low Power
- Single 5.0V ± 10% Power Supply
- 2.0V Data Retention
- Easy Memory Expansion Using  $\overline{CE}$  and  $\overline{OE}$  Inputs
- Fully TTL Compatible Inputs and Outputs
- Advanced CMOS Technology
- Fast  $t_{OE}$
- Automatic Power Down when deselected
- Package: 44-Pin SOJ

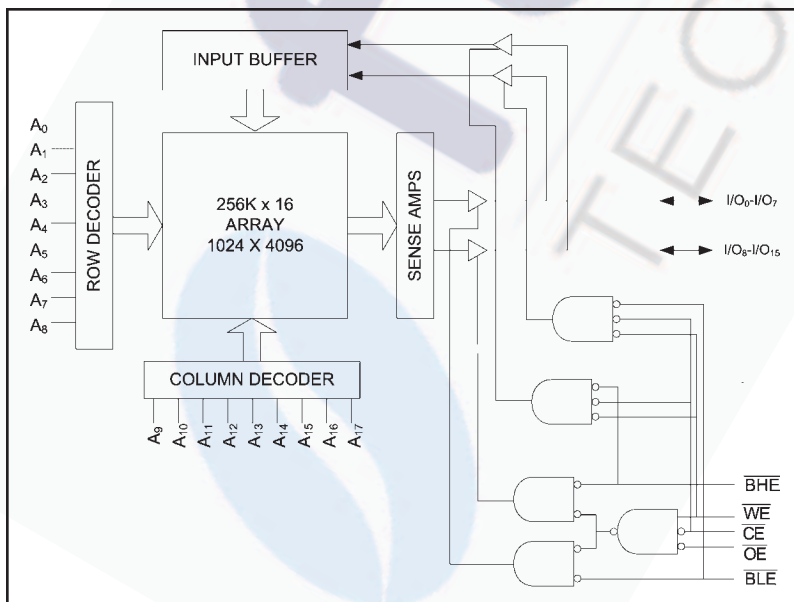
### DESCRIPTION

The FTC41041 is a 262,144 words by 16 bits high-speed CMOS static RAM. The CMOS memory requires no clocks or refreshing, and has equal access and cycle times. Inputs are fully TTL-compatible. The RAM operates from a single 5.0V ± 10% tolerance power supply.

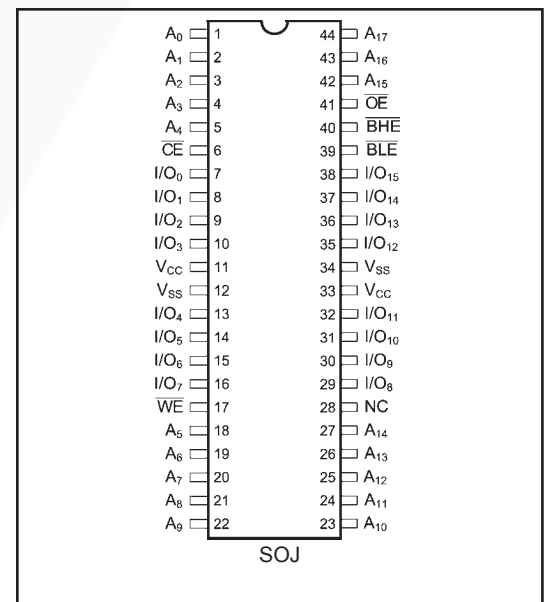
Access times as fast as 10 nanoseconds permit greatly enhanced system operating speeds. CMOS is utilised to reduce power consumption to a low level. The FTC41041 is a member of a family of FTSRAM products offering fast access times.

The FTC41041 device provides asynchronous operation with matching access and cycle times. Memory locations are specified on address pins  $A_0$  to  $A_{17}$ . Reading is accomplished by device selection ( $\overline{CE}$ ) and output enabling ( $\overline{OE}$ ) while write enable ( $\overline{WE}$ ) remains HIGH. By presenting the address under these conditions, the data in the addressed memory location is presented on the data input/output pins. The input/output pins stay in the HIGH Z state when either  $\overline{CE}$  or  $\overline{OE}$  is HIGH or  $\overline{WE}$  is LOW.

### FUNCTIONAL BLOCK DIAGRAM



### PIN CONFIGURATION



### RECOMMENDED OPERATING TEMPERATURE AND SUPPLY VOLTAGE

| Grade <sup>(2)</sup> | Ambient Temperature | GND | V <sub>CC</sub> |
|----------------------|---------------------|-----|-----------------|
| Commercial           | 0 - 70°C            | 0V  | 5.0V ± 10%      |
| Industrial           | -40 - 85°C          | 0V  | 5.0V ± 10%      |
| Military             | -55 - 125°C         | 0V  | 5.0V ± 10%      |

### CAPACITANCES <sup>(4)</sup>

V<sub>CC</sub> = 5.0V, T<sub>A</sub> = 25°C, f = 1.0MHz

| Sym              | Parameter          | Conditions            | Typ. | Unit |
|------------------|--------------------|-----------------------|------|------|
| C <sub>IN</sub>  | Input Capacitance  | V <sub>IN</sub> = 0V  | 8    | pF   |
| C <sub>OUT</sub> | Output Capacitance | V <sub>OUT</sub> = 0V | 8    | pF   |

### MAXIMUM RATINGS <sup>(1)</sup>

| Sym               | Parameter                            | Value                        | Unit |
|-------------------|--------------------------------------|------------------------------|------|
| V <sub>CC</sub>   | Power Supply Pin with Respect to GND | -0.5 to 7.0                  | V    |
| V <sub>TERM</sub> | Terminal Voltage with Respect to GND | -0.5 to V <sub>CC</sub> +0.5 | V    |
| T <sub>A</sub>    | Operating Temperature                | -55 to 125                   | °C   |
| T <sub>BIAS</sub> | Temperature Under Bias               | -55 to 125                   | °C   |
| T <sub>STG</sub>  | Storage Temperature                  | -65 to 150                   | °C   |
| I <sub>OUT</sub>  | DC Output Current                    | 20                           | mA   |

### DC ELECTRICAL CHARACTERISTICS

Over recommended operating temperature and supply voltage <sup>(2)</sup>

| Sym              | Parameter  | Test Conditions   | FTC41041            |                       | Unit |
|------------------|--|---|---------------------|-----------------------|------|
|                  |  |   | Min                 | Max                   |      |
| V <sub>IH</sub>  | Input High Voltage                               |   | 2.2                 | V <sub>CC</sub> + 0.5 | V    |
| V <sub>IL</sub>  | Input Low Voltage                                |   | -0.5 <sup>(3)</sup> | 0.8                   | V    |
| V <sub>OL</sub>  | Output Low Voltage (TTL Load)                    | I <sub>OL</sub> = +8 mA, V <sub>CC</sub> = Min.   |                     | 0.4                   | V    |
| V <sub>OH</sub>  | Output High Voltage (TTL Load)                   | I <sub>OH</sub> = -4 mA, V <sub>CC</sub> = Min.   | 2.4                 |                       | V    |
| I <sub>LI</sub>  | Input Leakage Current                            | V <sub>CC</sub> = Max.<br>V <sub>IN</sub> = GND to V <sub>CC</sub>  | -2                  | +2                    | μA   |
| I <sub>LO</sub>  | Output Leakage Current                           | V <sub>CC</sub> = Max.,<br>CE = V <sub>IH</sub> ,<br>V <sub>OUT</sub> = GND to V <sub>CC</sub>  | -1                  | +1                    | μA   |
| I <sub>SB</sub>  | Standby Power Supply Current (TTL Input Levels)  | CE ≥ V <sub>IH</sub><br>V <sub>CC</sub> = Max,<br>f = Max., Outputs Open<br>V <sub>IN</sub> ≥ V <sub>IH</sub> or V <sub>IN</sub> ≤ V <sub>IL</sub>    | —                   | 40                    | mA   |
| I <sub>SB1</sub> | Standby Power Supply Current (CMOS Input Levels) | CE ≥ V <sub>CC</sub> - 0.2V<br>V <sub>CC</sub> = Max,<br>f = 0, Outputs Open<br>V <sub>IN</sub> ≥ V <sub>CC</sub> - 0.3V or<br>V <sub>IN</sub> ≤ 0.3V | —                   | 6                     | mA   |

### POWER DISSIPATION CHARACTERISTICS VS. SPEED

| Sym      | Parameter                  | Temperature Range | -10 | -12 | -15 | -20 | Unit |
|----------|----------------------------|-------------------|-----|-----|-----|-----|------|
| $I_{CC}$ | Dynamic Operating Current* | Commercial        | 100 | 90  | 80  | 70  | mA   |
|          |                            | Industrial        | 100 | 90  | 80  | 70  | mA   |
|          |                            | Military          | N/A | 110 | 100 | 90  | mA   |

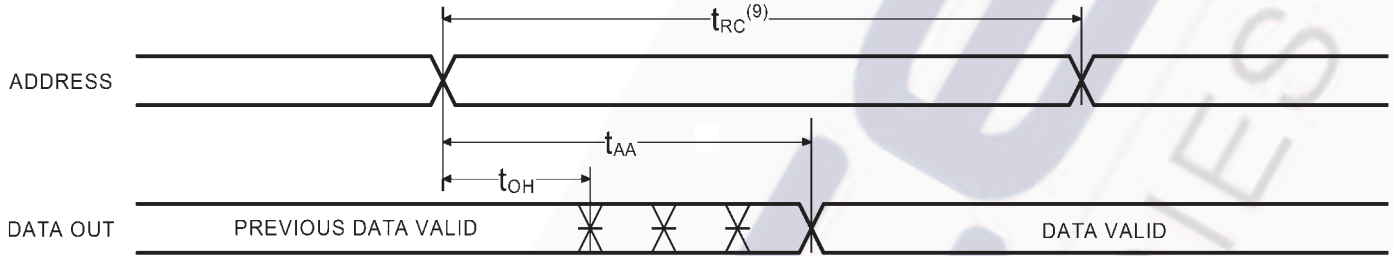
\* $V_{CC} = 3.6V$ . Tested with outputs open.  $f = \text{Max}$ . Switching inputs are 0V and 3V.  $\overline{CE} = V_{IL}$ ,  $\overline{OE} = V_{IH}$ .

### AC ELECTRICAL CHARACTERISTICS—READ CYCLE

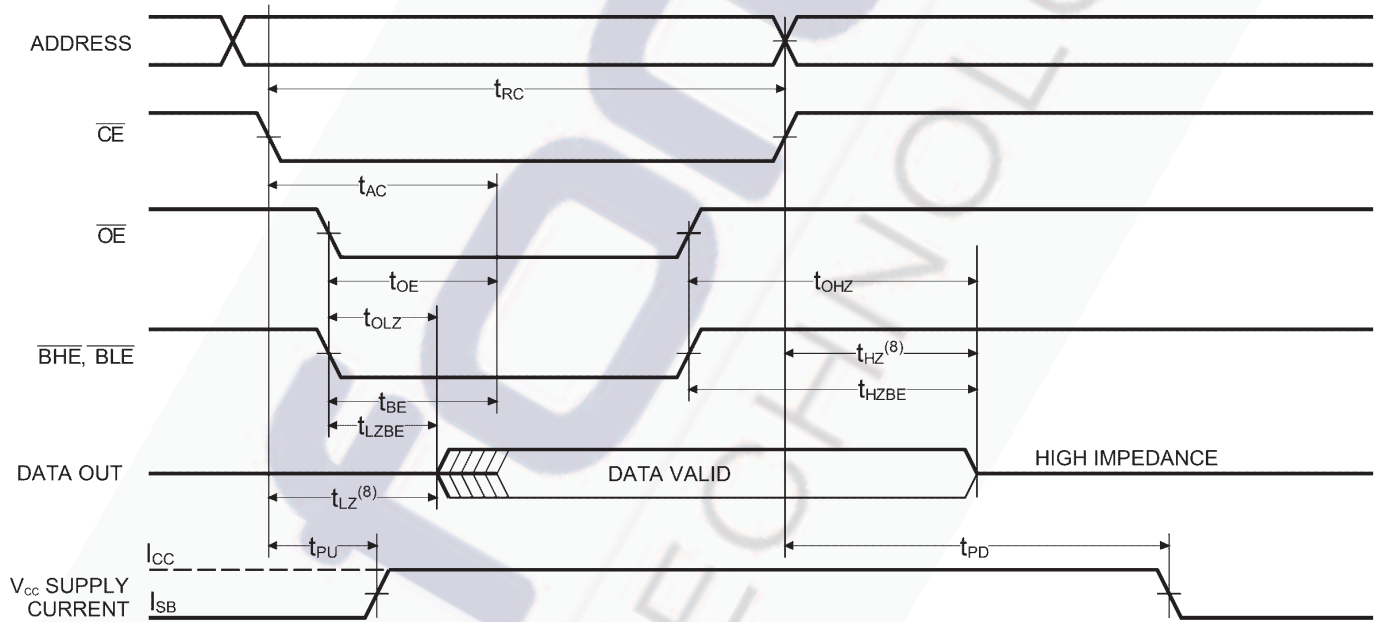
( $V_{CC} = 5.0V \pm 10\%$ , All Temperature Ranges) <sup>(2)</sup>

| Sym        | Parameter                        | -10 |     | -12 |     | -15 |     | -20 |     | Unit |
|------------|----------------------------------|-----|-----|-----|-----|-----|-----|-----|-----|------|
|            |                                  | Min | Max | Min | Max | Min | Max | Min | Max |      |
| $t_{RC}$   | Read Cycle Time                  | 10  |     | 12  |     | 15  |     | 20  |     | ns   |
| $t_{AA}$   | Address Access Time              |     | 10  |     | 12  |     | 15  |     | 20  | ns   |
| $t_{AC}$   | Chip Enable Access Time          |     | 10  |     | 12  |     | 15  |     | 20  | ns   |
| $t_{OH}$   | Output Hold from Address Change  | 3   |     | 3   |     | 3   |     | 3   |     | ns   |
| $t_{LZ}$   | Chip Enable to Output in Low Z   | 3   |     | 3   |     | 3   |     | 3   |     | ns   |
| $t_{HZ}$   | Chip Disable to Output in High Z |     | 5   |     | 6   |     | 7   |     | 8   | ns   |
| $t_{OE}$   | Output Enable Low to Data Valid  |     | 5   |     | 6   |     | 7   |     | 8   | ns   |
| $t_{OLZ}$  | Output Enable Low to Low Z       | 0   |     | 0   |     | 0   |     | 0   |     | ns   |
| $t_{OHZ}$  | Output Enable High to High Z     |     | 5   |     | 6   |     | 7   |     | 8   | ns   |
| $t_{PU}$   | Chip Enable to Power Up Time     | 0   |     | 0   |     | 0   |     | 0   |     | ns   |
| $t_{PD}$   | Chip Disable to Power Down Time  |     | 10  |     | 12  |     | 15  |     | 20  | ns   |
| $t_{BE}$   | Byte Enable to Data Valid        |     | 5   |     | 6   |     | 7   |     | 8   | ns   |
| $t_{LZBE}$ | Byte Enable to Low Z             | 0   |     | 0   |     | 0   |     | 0   |     | ns   |
| $t_{HZBE}$ | Byte Disable to High Z           |     | 6   |     | 6   |     | 7   |     | 8   | ns   |

**TIMING WAVEFORM OF READ CYCLE NO. 1**



**TIMING WAVEFORM OF READ CYCLE NO. 2 ( $\overline{OE}$  CONTROLLED)<sup>(5,6)</sup>**

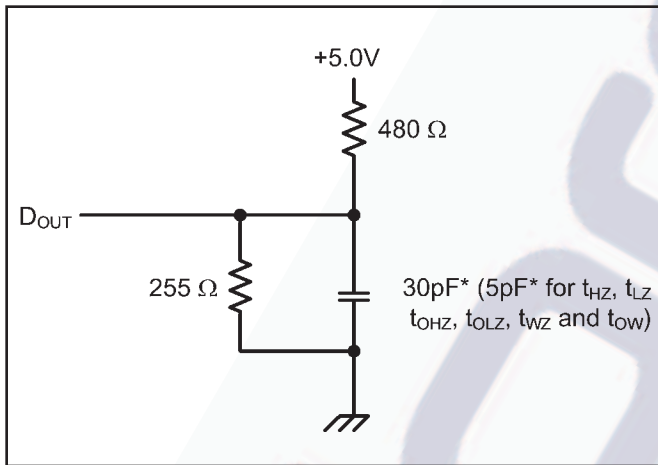


**Notes:**

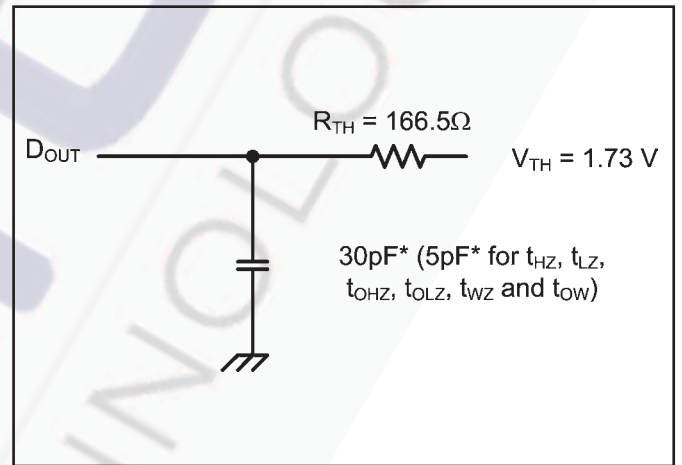
1. Stresses greater than those listed under MAXIMUM RATINGS may cause permanent damage to the device. This is a stress rating only and functional operation of the device at these or any other conditions above those indicated in the operational sections of this specification is not implied. Exposure to MAXIMUM rating conditions for extended periods may affect reliability.
2. Extended temperature operation guaranteed with 400 linear feet per minute of air flow.
3. Transient inputs with  $V_{IL}$  not more negative than  $-2.0V$  and  $V_{IH} \leq V_{CC} + 0.5V$ , are permissible for pulse widths up to 20ns.
4. This parameter is sampled and not 100% tested.
5.  $\overline{WE}$  is HIGH for READ cycle.
6.  $\overline{CE}$  is LOW and  $\overline{OE}$  is LOW for READ cycle.
7. ADDRESS must be valid prior to, or coincident with  $\overline{CE}$  transition LOW.
8. Transition is measured  $\pm 200$  mV from steady state voltage prior to change, with loading as specified in Figure 1. This parameter is sampled and not 100% tested.
9. Read Cycle Time is measured from the last valid address to the first transitioning address.

**AC TEST CONDITIONS**

|                               |                   |
|-------------------------------|-------------------|
| Input Pulse Levels            | GND to 3.0V       |
| Input Rise and Fall Times     | 3ns               |
| Input Timing Reference Level  | 1.5V              |
| Output Timing Reference Value | 1.5V              |
| Output Load                   | See Figures 1 & 2 |



**Figure 1. Output Load**



**Figure 2. Thevenin Equivalent**

\* including scope and test fixture.

**Note:**

Because of the ultra-high speed of the FTC41041, care must be taken when testing this device; an inadequate setup can cause a normal functioning part to be rejected as faulty. Long high-inductance leads that cause supply bounce must be avoided by bringing the  $V_{CC}$  and ground planes directly up to the contactor fingers. A 0.01  $\mu$ F high frequency capacitor is also required between  $V_{CC}$  and ground. To avoid signal reflections,

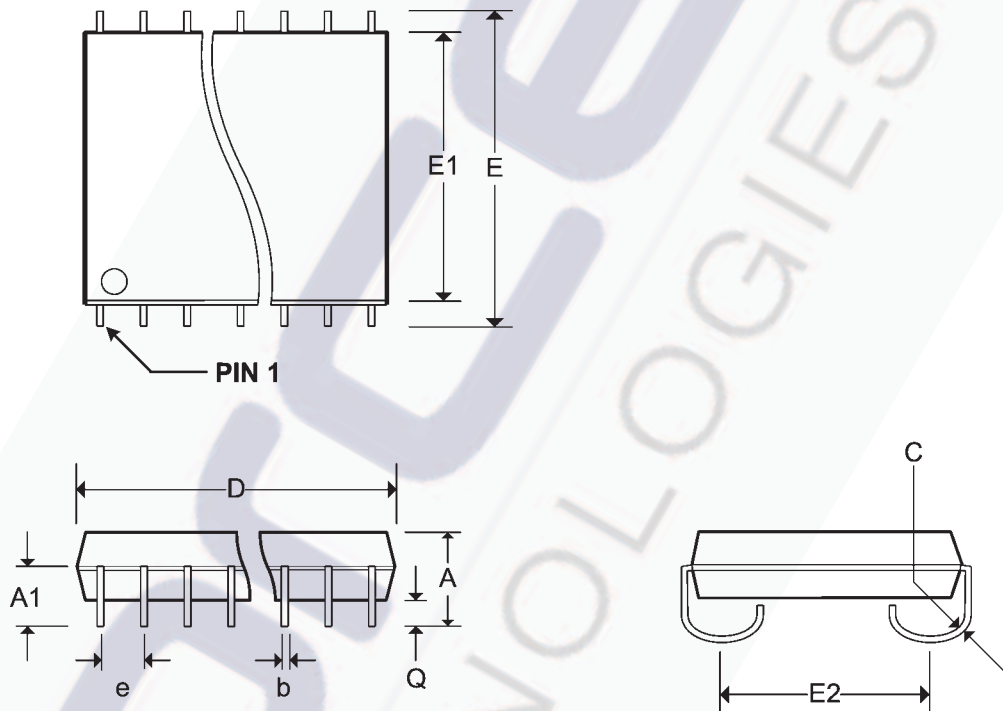
proper termination must be used; for example, a 50 $\Omega$  test environment should be terminated into a 50 $\Omega$  load with 1.73V (Thevenin Voltage) at the comparator input, and a 116 $\Omega$  resistor must be used in series with  $D_{OUT}$  to match 166 $\Omega$  (Thevenin Resistance).

**TRUTH TABLE**

| Mode                       | $\overline{CE}$ | $\overline{OE}$ | $\overline{WE}$ | $\overline{BLE}$ | $\overline{BHE}$ | $I/O_0 - I/O_7$ | $I/O_8 - I/O_{15}$ | Power   |
|----------------------------|-----------------|-----------------|-----------------|------------------|------------------|-----------------|--------------------|---------|
| Powerdown                  | H               | X               | X               | X                | X                | High Z          | High Z             | Standby |
| Read All Bits              | L               | L               | H               | L                | L                | $D_{OUT}$       | $D_{OUT}$          | Active  |
| Read Lower Bits Only       | L               | L               | H               | L                | H                | $D_{OUT}$       | High Z             | Active  |
| Read Upper Bits Only       | L               | L               | H               | H                | L                | High Z          | $D_{OUT}$          | Active  |
| Write All Bits             | L               | X               | L               | L                | L                | $D_{IN}$        | $D_{IN}$           | Active  |
| Write Lower Bits Only      | L               | X               | L               | L                | H                | $D_{IN}$        | High Z             | Active  |
| Write Upper Bits Only      | L               | X               | L               | H                | L                | High Z          | $D_{IN}$           | Active  |
| Selected, Outputs Disabled | L               | H               | H               | X                | X                | High Z          | High Z             | Active  |

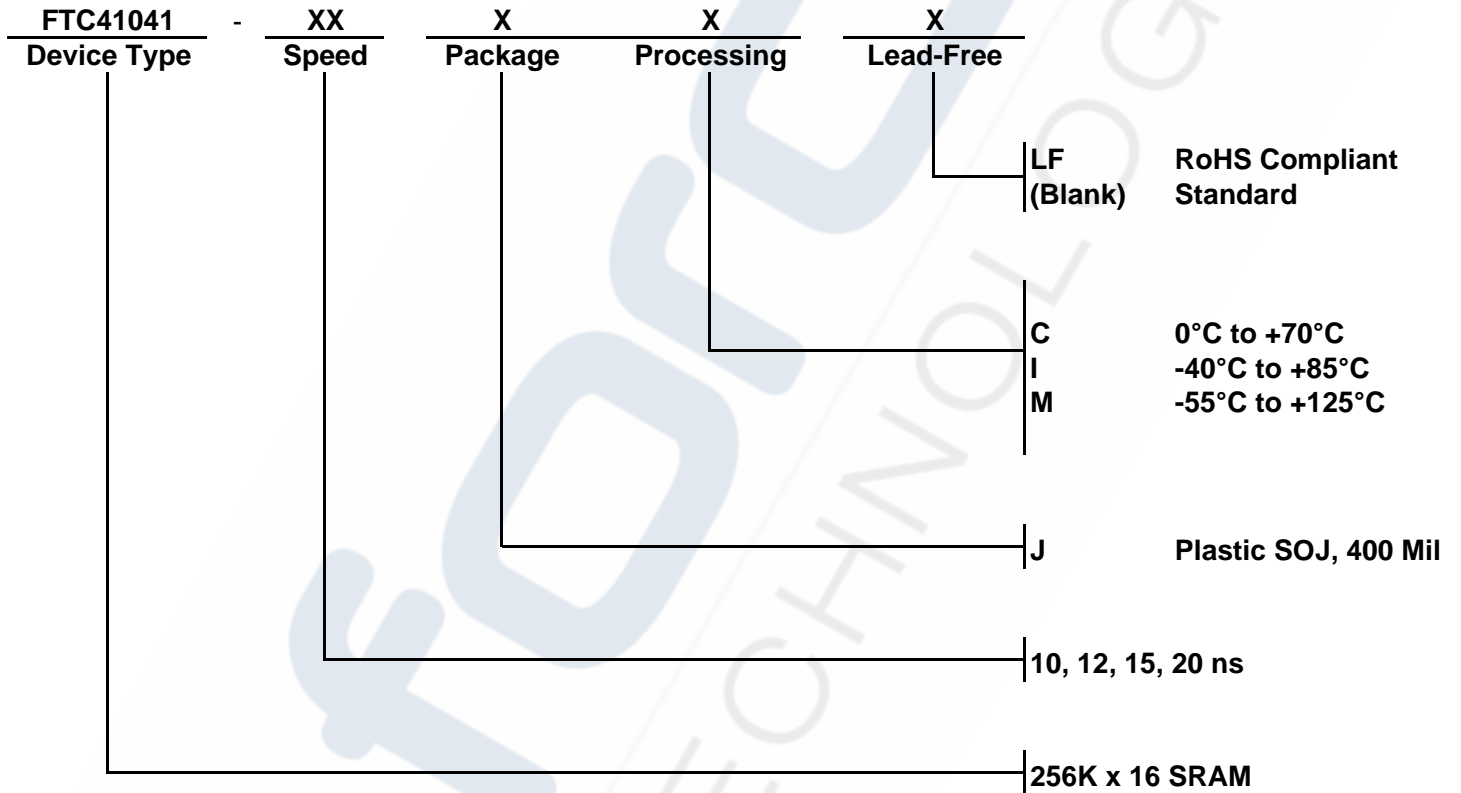
| Pkg #  | J8           |       |
|--------|--------------|-------|
| # Pins | 44 (400 mil) |       |
| Symbol | Min          | Max   |
| A      | 0.128        | 0.148 |
| A1     | 0.082        | -     |
| b      | 0.013        | 0.023 |
| C      | 0.007        | 0.013 |
| D      | 1.120        | 1.130 |
| e      | 0.050 BSC    |       |
| E      | 0.435        | 0.445 |
| E1     | 0.395        | 0.405 |
| E2     | 0.370 BSC    |       |
| Q      | 0.025        | -     |

**SOJ SMALL OUTLINE IC PACKAGE**





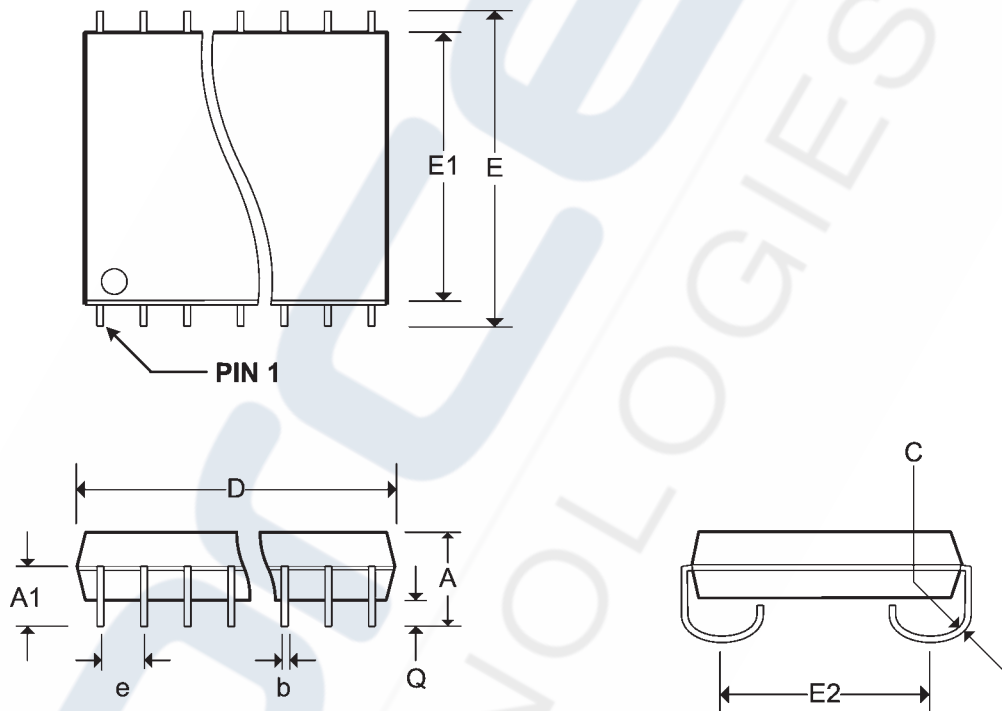
**ORDERING INFORMATION**





| Pkg #  | J8           |       |
|--------|--------------|-------|
| # Pins | 44 (400 mil) |       |
| Symbol | Min          | Max   |
| A      | 0.128        | 0.148 |
| A1     | 0.082        | -     |
| b      | 0.013        | 0.023 |
| C      | 0.007        | 0.013 |
| D      | 1.120        | 1.130 |
| e      | 0.050 BSC    |       |
| E      | 0.435        | 0.445 |
| E1     | 0.395        | 0.405 |
| E2     | 0.370 BSC    |       |
| Q      | 0.025        | -     |

**SOJ SMALL OUTLINE IC PACKAGE**







Ashley Crt, Henley,  
Marlborough, Wilts, SN8 3RH UK

**Tel: +44(0)1264 731200**

**Fax: +44(0)1264 731444**

E-mail

[info@forcetechnologies.co.uk](mailto:info@forcetechnologies.co.uk)

[tech@forcetechnologies.co.uk](mailto:tech@forcetechnologies.co.uk)

[sales@forcetechnologies.co.uk](mailto:sales@forcetechnologies.co.uk)

**[www.forcetechnologies.co.uk](http://www.forcetechnologies.co.uk)**

Unless otherwise stated in this SCD/Data sheet, Force Technologies Ltd reserve the right to make changes, without notice, in the products, including circuits, cells and/or software, described or contained herein in order to improve design and/or performance. Force Technologies resumes no responsibility or liability for the use of any of these products, conveys no licence or any title under patent, copyright, or mask work to these products, and makes no representation or warranties that that these products are free from patent, copyright or mask work infringement, unless otherwise specified.

**Life Support Applications**

Force Technologies products are not designed for use in life support appliances, devices or systems where malfunction of a Force Technologies product can reasonably be expected to result in a personal injury. Force Technologies customers using or selling Force Technologies products for use in such applications do so at their own risk and agree to fully indemnify Force Technologies for any damages resulting from such improper use or sale.

All trademarks acknowledged

Copyright Force Technologies Ltd 2032