

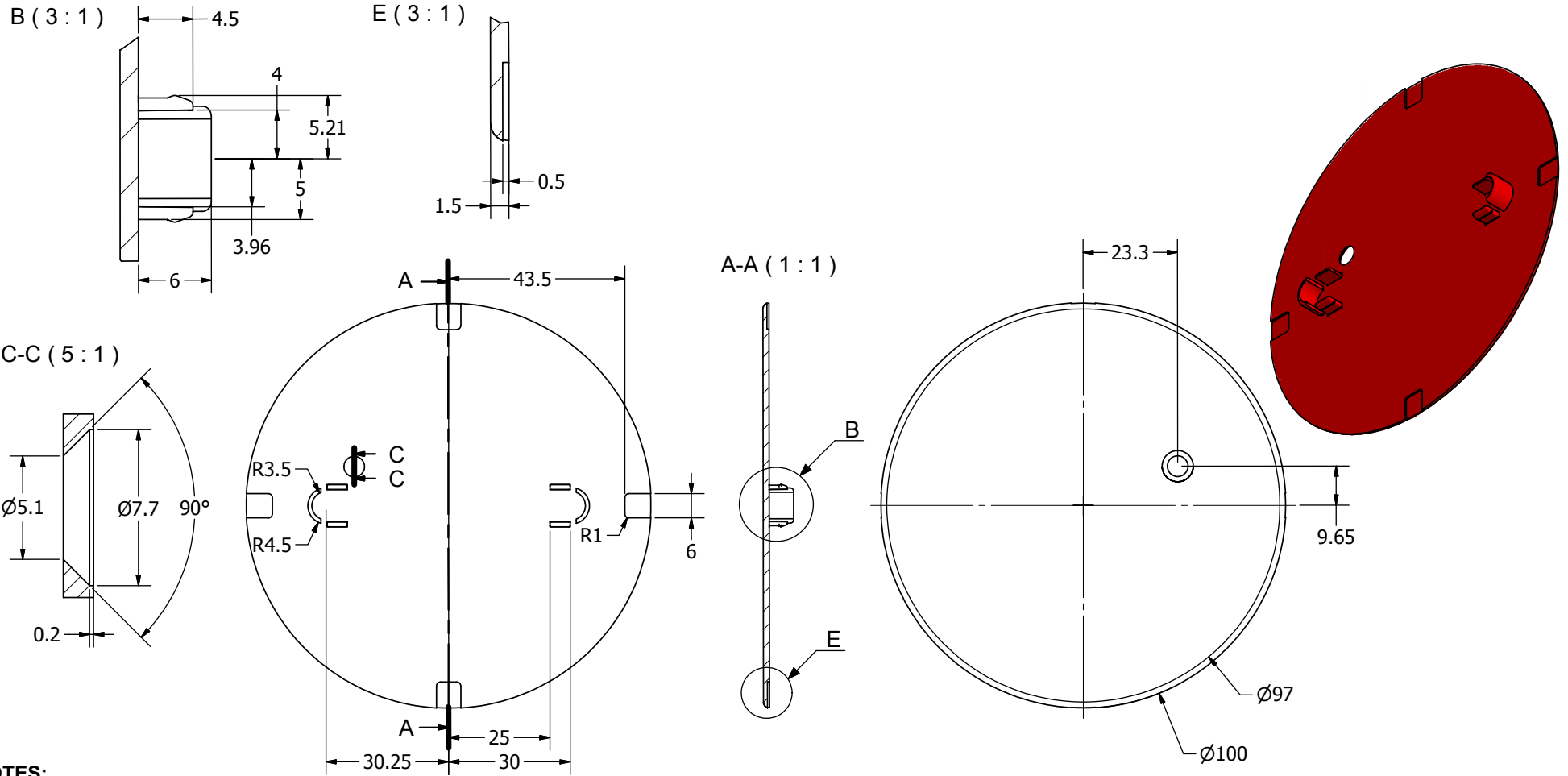
# SPECIFICATIONS

PARAMETERS	VALUE
MATERIAL	ABS
COLOR	RED

THIS DOCUMENT CONTAINS DATA PROPRIETARY TO PROJECTS UNLIMITED, INC. ANY USE OR REPRODUCTION, IN ANY FORM, WITHOUT PRIOR WRITTEN PERMISSION OF PROJECTS UNLIMITED, INC. IS PROHIBITED.  
©2003, Projects Unlimited Inc.


# REVISION HISTORY

LTR	DESCRIPTION	DATE	APPROVED
-	RELEASED FROM ENGINEERING	12/7/2005	
A	ADDED NOTES 3 & 4	5/21/2007	R.W.
B	REVISED TO INVENTOR 3-D DRAWING TEMPLATE	7/26/2010	B.R.



### NOTES:

1. ALL DIMENSIONS ARE IN MILLIMETERS.
2. SPECIFICATIONS SUBJECT TO CHANGE OR WITHDRAWAL WITHOUT NOTICE.
3. THIS PART IS RoHS 2002/95/EC COMPLIANT.
4. FITS AW-05CR-NC.

UNLESS OTHERWISE SPECIFIED: DIMENSIONS ARE IN MILLIMETERS, TOLERANCES ARE ±0.5 AND ANGLES ARE ±3°.	SIZE	Designed by	Date	Checked by	Date	Approved by	Date	Drawn Date	
	A3	J.A.F.	12/7/2005	E.P.	12/7/2005	B.R.	12/7/2005	7/26/2010	
AWA-05CRC.idw		 A Division of Projects Unlimited			AWA-05CRC			Edition	Sheet
					Siren			-	1 / 1