



- Universal AC input
- Protections: Short circuit/Over load/Over voltage
- Cooling by free air convection
- LED indicator for power on
- All using 105°C long life electrolytic capacitors
- High efficiency, long life and high reliability



Model Number	Output Volts	Output Amps	Ripple & Noise	Min Load	Line Reg	Load Reg	Volt Tolerance
DUAL OUTPUT							
RD50-A	5 Volts(DC)	6 Amps	80mV pk-pk	0.3~6Amps	±0.5%	±0.5%	±2.0%
	12 Volts(DC)	2 Amps	120mV pk-pk	0.3~3Amps	±1.5%	±3.0%	±7.0%
RD50-B	5 Volts(DC)	4 Amps	80mV pk-pk	0.3~6Amps	±0.5%	±0.5%	±2.0%
	24 Volts(DC)	1.4 Amps	150mV pk-pk	0.2~2.0Amps	±1.5%	±3.0%	-4,+8%

50W Dual Output Switching Power Supply

RD50 series

INPUT SPECIFICATIONS

Input Voltage Range	90 ~ 264 VAC; 125~373 Volts(DC)
Frequency Range	47-63 Hz
Inrush Current, typ: (cold start)	33Amps / 230VAC
Input Current	1.3 Amps. @ 115VAC 0.8 Amps. @ 230VAC
Leakage current	< 2mAmps /240VAC

OUTPUT SPECIFICATIONS

Voltage and Current	See Selection Chart
Line Regulation (Note 3)	See Selection Chart
Load Regulation (Note 4)	See Selection Chart
Voltage Tolerance (Note 2)	See Selection Chart
Ripple/Noise (Note 1)	See Selection Chart
Hold Up Time @ FL	60mS / 230VAC 14mS / 115VAC
Setup, Rise Time @ FL	500ms, 20m / 230VAC 1200mS, 30mS / 115VAC
Over Voltage Protection	5Volts : 5.75 ~ 6.75Volts(DC) Hiccup mode, auto recover
Over Current Protection	110 ~ 150% rated output power Hiccup mode, auto recover
DC Volt Adjust	5Volts(DC): 4.75 ~ 5.5Volts(DC)

GENERAL SPECIFICATIONS

Safety	UL60950-1, TUV EN60950-1 Approved
Insulation Resistance	≥ 100MΩ / 500Volts(DC)
EMI	Compliance to EN55022 (CISPR22) Class B
Harmonic Current	Compliance to EN61000-3-2,-3
Efficiency (typ.)	79%(RD50-A) / 80%(RD50-B)

Isolation

	3000VAC Input - Output
	1500VAC Input - Ground
	500VAC Output - Ground
EMS	Compliance to EN61000-4-2, 3, 4, 5, 6, 8, 11; ENV50204, EN61000-6-2 (EN50082-2) Heavy Industry Level, Criteria A

ENVIRONMENTAL SPECIFICATIONS

Oper. Temperature	-25°C to +70°C (See Derate Curve)
Storage Temperature	-40°C to +85°C, 10~95%
Relative Humidity	20~90% RH non cond
Temperature Coefficient	±0.03%/°C (0-50°C) on +5V output
MTBF	172.6Khrs min, MIL-UDBK-217F(25°C)
Vibration	10~500Hz, 5G10min./1cycle, period for 60min. each along X, Y, Z axes

PHYSICAL SPECIFICATIONS

Size	
Millimeters	99 x 97 x 36
Inches	3.90" x 3.82" x 1.42"
Weight	14.46 oz (410g)

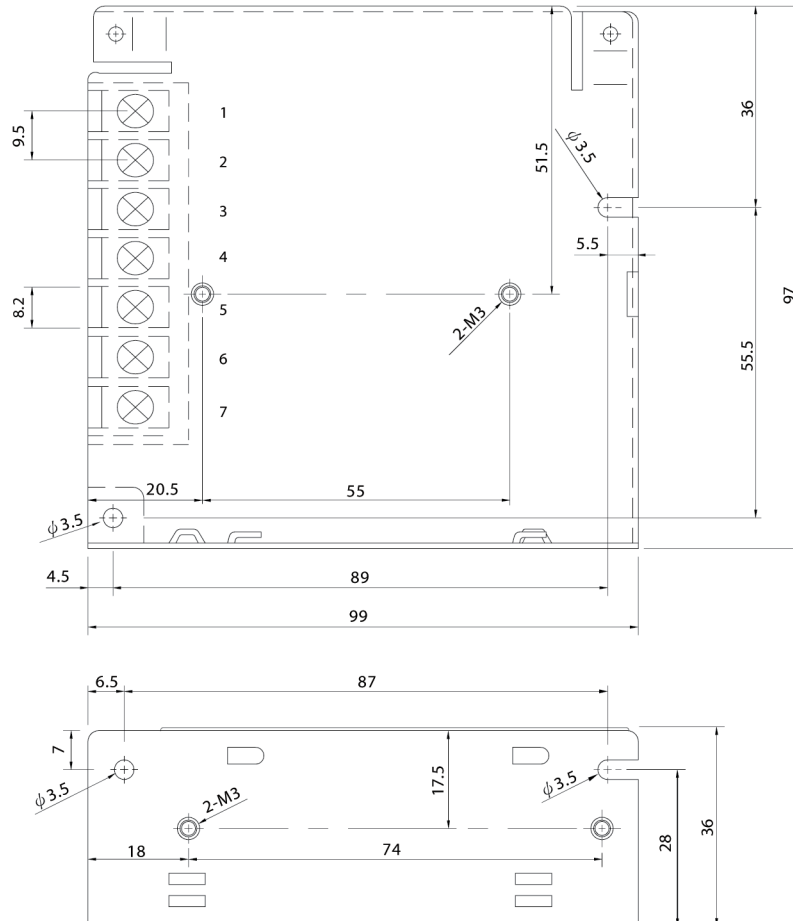
NOTE

1. Ripple & noise are measured at 20MHz of bandwidth by using a 12" twisted pair-wire terminated with a 0.1uf & 47uf parallel capacitor.
2. Tolerance : includes set up tolerance, line regulation and load regulation.
3. Line regulation is measured from low line to high line at rated load.
4. Load regulation is measured from 20% to 100% rated load, and other

All specifications are typical at nominal input, full load, and 25°C unless otherwise noted

■ Mechanical Specification

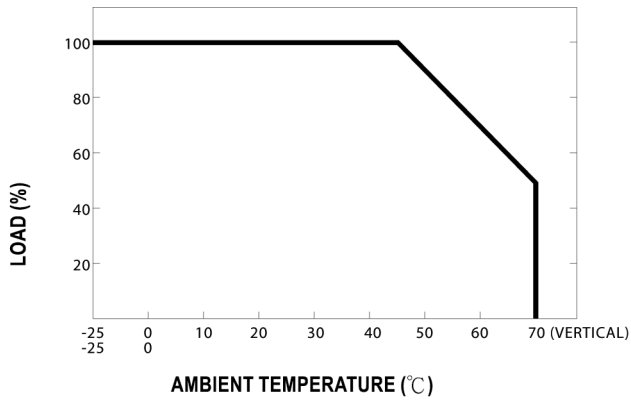
Case No. 905B Unit:mm



Terminal Pin. No Assignment

Pin No.	Assignment	Pin No.	Assignment
1	AC/L	4,6	DC OUTPUT COM
2	AC/N	5	DC OUTPUT +V2
3	FG \perp	7	DC OUTPUT +V1

■ Derating Curve



■ Output Derating VS Input Voltage

