

2.0×1.6mm for Automotive



RoHS Compliant

Features

- Crystal unit for automotive electronics
- Ultra-miniature and low profile (2.05×1.65×0.45mm)
- Ceramic package
- Reflow compatible
- AEC-Q200 qualified

Applications

- ECU
- Automotive Camera
- Radar

How to Order

CX2016SA 20000 DO G S S □ □
① ② ③ ④ ⑤ ⑥ ⑦

- ① Series
- ② Frequency
- ③ Load Capacitance
- ④ Frequency Tolerance
- ⑤ Operating Temp. Range
- ⑥ Frequency Temp. Stability
- ⑦ Individual Specification

DO	8 pF	G	±15×10 ⁻⁶
SS	-40 to +125°C		±50×10 ⁻⁶

Package (Tape & Reel 3000/ 15000 pcs./ reel)

Specifications

Item	Symbol	Specification	Units	Remarks
Frequency Range	f _{nom}	16000 to 60000	kHz	
Overtone Order	OT	Fundamental	—	
Load Capacitance	CL	8	pF	Please contact us for other Load Capacitance.
Frequency Tolerance	f _{tol}	±15	×10 ⁻⁶	25°C±3°C
Motional Series Resistance	R1	Table 1	ohm	
Drive Level	DL	Table 2	μW	
Operating Temp. Range	T _{use}	-40 to +125 -40 to +150	°C	
Storage Temp. Range	T _{stg}	-40 to +150	°C	
Frequency Temp. Characteristics	f _{tem}	±50 ±150	×10 ⁻⁶	Freq. deviation from the value at 25°C

Please contact us for other specifications.

Table1 Motional Series Resistance

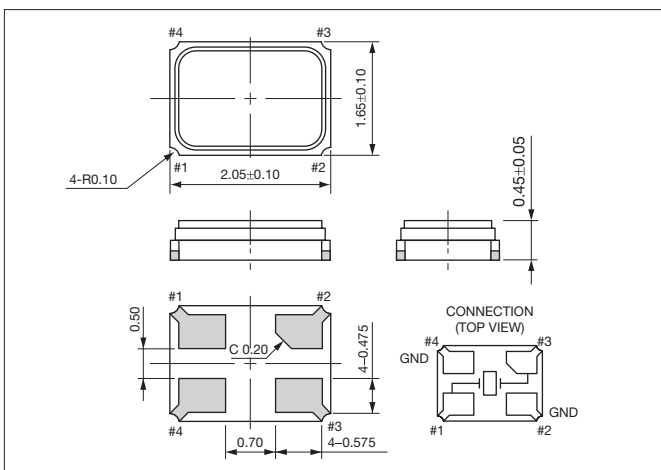
Frequency Range	Motional Series Resistance
16000 ≤ f _{nom} < 18000kHz	200Ω max.
18000 ≤ f _{nom} < 26000kHz	150Ω max.
26000 ≤ f _{nom} < 40000kHz	60Ω max.
40000 ≤ f _{nom} ≤ 60000kHz	50Ω max.

Table2 Level of Drive

Frequency Range	Level of Drive
16000 ≤ f _{nom} < 60000kHz	10μW (200μW max.)

Dimensions

(Unit: mm)



Recommended Land Pattern

(Unit: mm)

