

**JFW MODEL**

115-764

**IMPEDANCE**

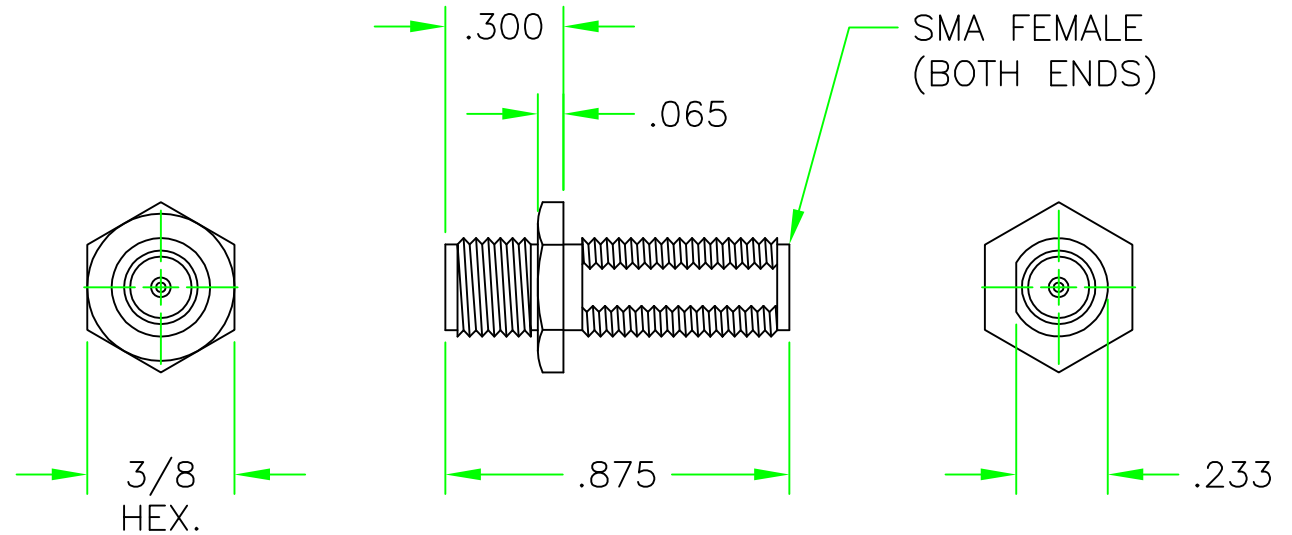
50 Ohms nominal

**FREQUENCY RANGE**

DC-18 GHz

**VSWR (typical)**

2 GHz	1.025:1
4 GHz	1.011:1
6 GHz	1.050:1
8 GHz	1.066:1
10 GHz	1.007:1
12 GHz	1.096:1
14 GHz	1.142:1
16 GHz	1.073:1
18 GHz	1.073:1

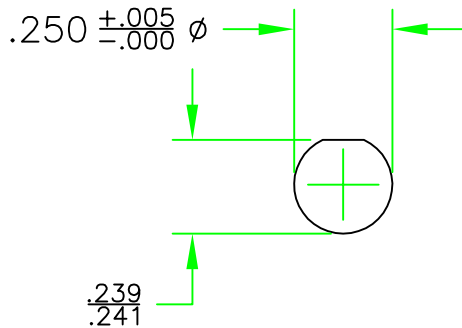


**Connector Body**

Passivated SS


**Connector Pins**

Gold plated BeCu



RECOMMENDED MOUNTING

NOTE: THIS PART IS SUPPLIED WITH HEXNUT & LOCKWASHER

REV	ECN	DATE	BY	APPR	 <b>JFW INDUSTRIES, INC.</b> <a href="http://www.jfwindustries.com">www.jfwindustries.com</a> PH: 317-887-1340	
-	ISSUED	4-19-18	JZ	TRS		
A	28718	5-7-18	DTS	TRS		
					MATERIAL	STAINLESS STEEL
					FINISH	PASSIVATED
					MODEL	115-764
					DESCRIPTION	PANEL MOUNT RF ADAPTER SMA FEMALE/FEMALE
					SCALE	2X
					PROPRIETARY INFORMATION ALL SURFACES ARE TO BE FREE OF BURRS, PITS, & SCRATCHES TOLERANCES .XX±.010 .XXX±.005 XX'±.5' DWG # 115-764	