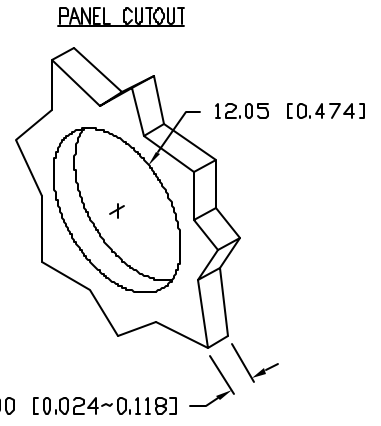
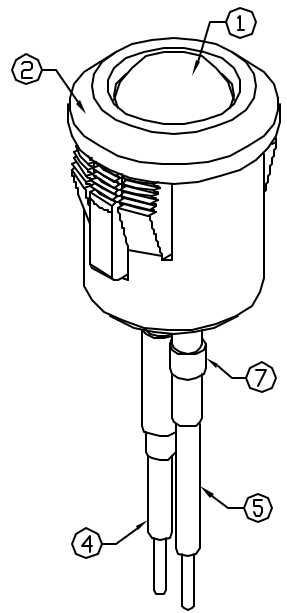
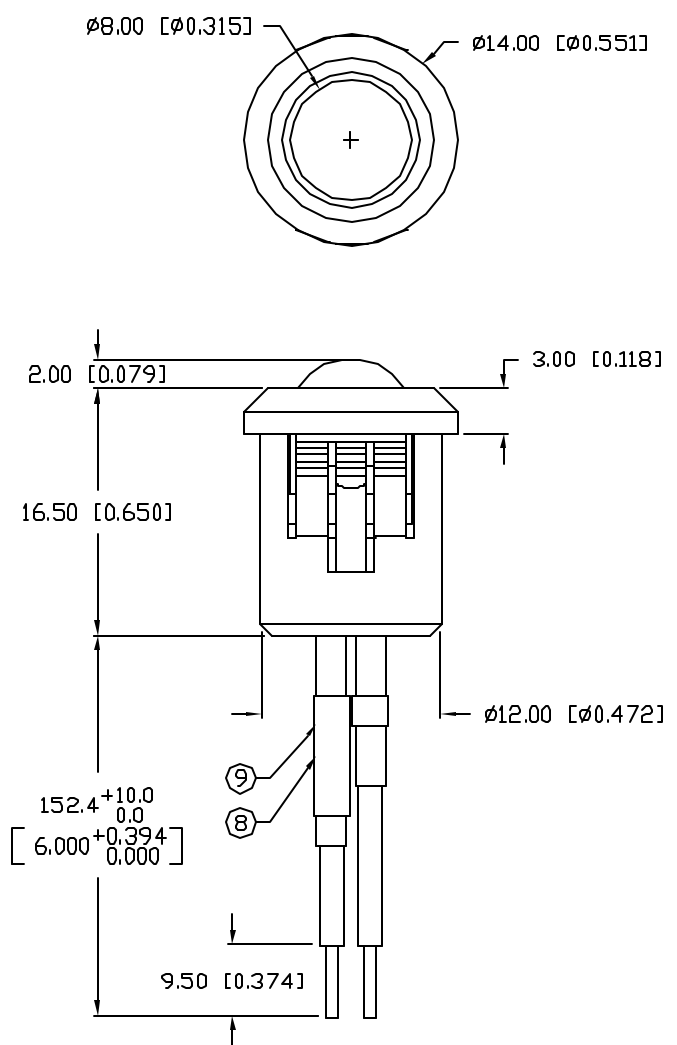


UNCONTROLLED DOCUMENT

| | | |
|--------------------|-------------------------------------|---------|
| PART NUMBER | | REV. |
| SSI-LXH8080-Q23534 | | B |
| REV. | E.C.N. NUMBER AND REVISION COMMENTS | DATE |
| A | E.C.N. #11254. | 6.27.05 |
| B | E.C.N. #11265. | 8.9.05 |



ELECTRO-OPTICAL CHARACTERISTICS $T_A=25^{\circ}\text{C}$ $V_f=12\text{V}$

| PARAMETER | MIN | TYP | MAX | UNITS | TEST COND |
|--------------------|--------------|------|------|----------|----------------------|
| PEAK WAVELENGTH | | 660 | | nm | |
| FORWARD VOLTAGE | | 12.0 | 14.0 | V_f | |
| REVERSE VOLTAGE | 4.0 | | | V_r | $I_r=100\mu\text{A}$ |
| AXIAL INTENSITY | | 1200 | | mcd | $V_f=12\text{V}$ |
| VIEWING ANGLE | | 60 | | 2x theta | |
| EMITTED COLOR: | RED | | | | |
| EPOXY LENS FINISH: | RED DIFFUSED | | | | |

LIMITS OF SAFE OPERATION AT 25°C

| PARAMETER | MAX | UNITS |
|----------------------------------|------------|------------------------|
| PEAK FORWARD VOLTAGE | 14.0 | V |
| STEADY CURRENT | 12 | mA |
| POWER DISSIPATION | 100 | mW |
| DERATE FROM 25°C | -1.2 | mW/ $^{\circ}\text{C}$ |
| OPERATING, STORAGE TEMP. | -40 TO +85 | $^{\circ}\text{C}$ |
| SOLDERING TEMP. | +260 | $^{\circ}\text{C}$ |
| 2.0mm FROM BODY | | 3 SEC. MAX |

- NOTES:
- SSL-LX80113SRD/H, RED LED.
 - SSH-RTF8080, BLACK HOLDER.
 - ANODE LEAD: LXP-WST24RDTQC, 24 AWG STRANDED, RED INSULATION, CUT 120mm LONG, STRIP 3mm & 9.5mm.
 - CATHODE LEAD: LXP-WST24BLTQC, 24 AWG STRANDED, BLACK INSULATION, CUT 140mm LONG, STRIP 3mm & 9.5mm.
 - CRIMP WIRE LEADS TO LED LEADS.
 - UV EPOXY TO RETAIN LED IN HOLDER.
 - LXP-HEATSHRINK-2, 1/16" x 32mm.
 - LXP-RES 51D 1/2 W, TRIM LEADS 22mm END TO END.
 - LXP-HEATSHRINK-4, 1/8" x 60mm.

UNCONTROLLED DOCUMENT

*UNLESS OTHERWISE SPECIFIED TOLERANCES PER DECIMAL PRECISION ARE: X=±1 (±0.039), XX=±0.5 (±0.020), XXX=±0.25 (±0.010), XXXX=±0.127 (±0.005). LEAD SIZE=±0.05 (±0.002), LEAD LENGTH=±0.75 (±0.030), MIN=+0.00 DECIMAL PRECISION MAX.=+0.00 DECIMAL PRECISION

| | |
|------|--------------------|
| REV. | PART NUMBER |
| B | SSI-LXH8080-Q23534 |

CONFIDENTIAL INFORMATION
 THE INFORMATION CONTAINED IN THIS DOCUMENT IS THE PROPERTY OF LUMEX INC. EXCEPT AS SPECIFICALLY AUTHORIZED IN WRITING BY LUMEX INC, THE HOLDER OF THIS DOCUMENT SHALL KEEP ALL INFORMATION CONTAINED HEREIN CONFIDENTIAL AND SHALL PROTECT SAME IN WHOLE OR IN PART FROM DISCLOSURE AND DISSEMINATION TO ALL THIRD PARTIES.



290 E. HELEN ROAD
 PALATINE, IL 60067-6976
 PHONE: +1.847.359.2790
 US WEB: www.lumex.com
 TW WEB: www.lumex.com.tw

T-8mm 660nm SUPER RED PANEL INDICATOR LED,
 RED DIFFUSED LED, 6" WIRE LEADS, 12V.

RELIABILITY NOTE
 OUR MANY YEARS OF EXPERIENCE DATA ACCUMULATION INDICATE THAT SOLDER HEAT IS A MAJOR CAUSE OF EARLY AND FUTURE FAILURE. PLEASE PAY ATTENTION TO YOUR SOLDERING PROCESS.

| | | | |
|-----------|-------------|--------------|--------------|
| DRAWN BY: | CHECKED BY: | APPROVED BY: | DATE: |
| GB | | | 7.19.02 |
| | | | PAGE: 1 OF 1 |
| | | | SCALE: N/A |