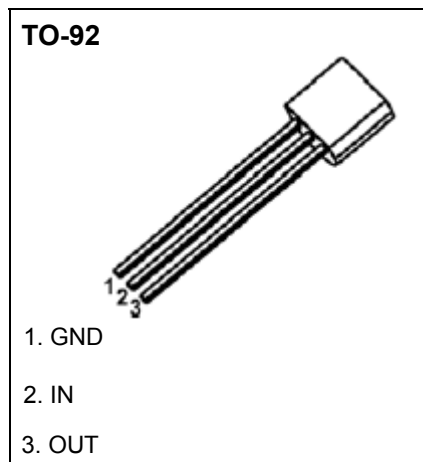


TO-92 Encapsulate Three-terminal Voltage Regulators

CJ79L15 Three-terminal negative voltage regulator

FEATURES

- Maximum output current
 I_{OM} : 100mA
- Output voltage
 V_O : -15 V
- Continuous total dissipation
 P_D : 0.625 W



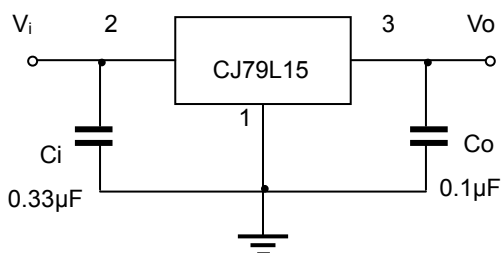
ABSOLUTE MAXIMUM RATINGS (Operating temperature range applies unless otherwise specified)

Parameter	Symbol	Value	Units
Input Voltage	V_i	-35	V
Operating Junction Temperature Range	T_{OPR}	0~+125	°C
Storage Temperature Range	T_{STG}	-55~+150	°C

ELECTRICAL CHARACTERISTICS AT SPECIFIED VIRTUAL JUNCTION TEMPERATURE ($V_i=-23V, I_o=40mA, C_i=0.33\mu F, C_o=0.1\mu F$, unless otherwise specified)

Parameter	Symbol	Test conditions	Min	Typ	Max	Unit
Output voltage	V_o	$25^\circ C$	-14.4	-15	-15.6	V
		$-17.5V \leq V_i \leq -30V, I_o=1mA \sim 40mA$	-14.25	-15	-15.75	V
		$I_o=1mA \sim 70mA$	0-125°C	-14.25	-15	-15.75
Load Regulation	ΔV_o	$I_o=1mA \sim 100mA, V_i=-23V$	$25^\circ C$	25	150	mV
		$I_o=1mA \sim 40mA, V_i=-23V$	$25^\circ C$	15	75	mV
Line regulation	ΔV_o	$-17.5V \leq V_i \leq -30V, I_o=40mA$	$25^\circ C$	65	300	mV
		$-20V \leq V_i \leq -30V, I_o=40mA$	$25^\circ C$	50	250	mV
Quiescent Current	I_q	$25^\circ C$			6.5	mA
Quiescent Current Change	ΔI_q	$-20V \leq V_i \leq -30V, I_o=40mA$	0-125°C		1.5	mA
	ΔI_q	$1mA \leq I_o \leq 40mA$	0-125°C		0.1	mA
Output Noise Voltage	V_N	$10Hz \leq f \leq 100KHz$	$25^\circ C$	90		μV
Ripple Rejection	RR	$-18.5V \leq V_i \leq -28.5V, f=120Hz$	0-125°C	34	39	dB
Dropout Voltage	V_d	$25^\circ C$		1.7		V

TYPICAL APPLICATION



Note: Bypass capacitors are recommended for optimum stability and transient response and should be located as close as possible to the regulators.