

1

2

3

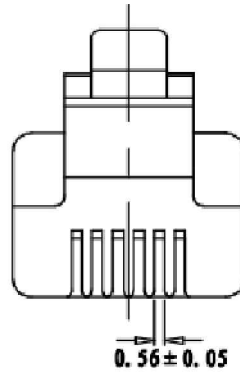
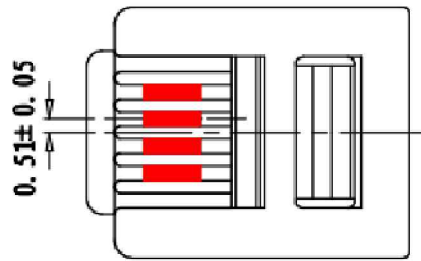
4

5

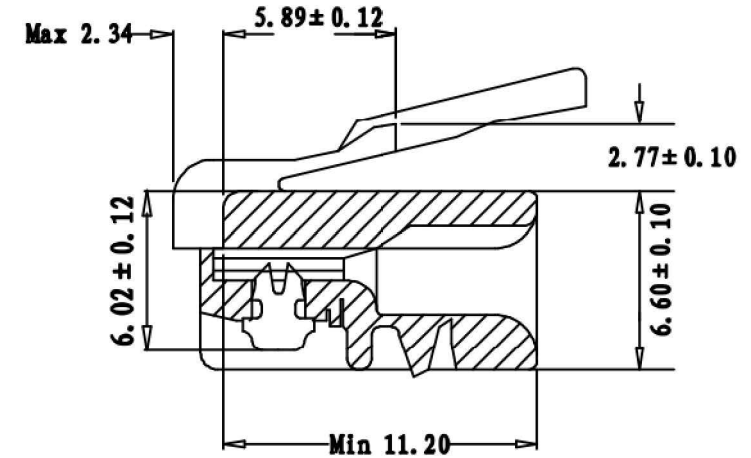
6

7

A



MP6P4C R



A

B

B

C

C

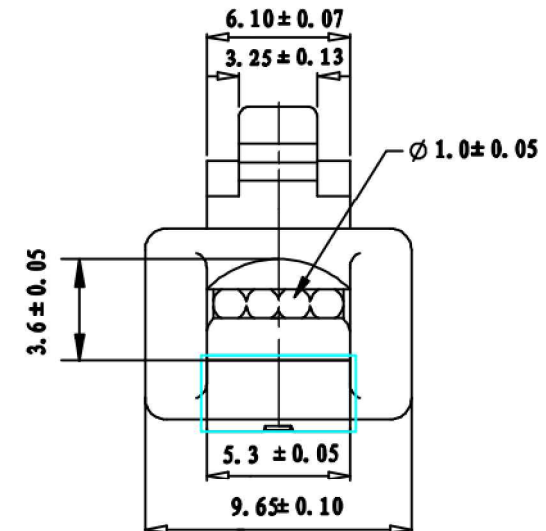
SPECIFICATIONS

HOUSING	POLY CARBONATE (PC) UL94V2
CONTACT BLADE	HIGH STRENGTH COPPER ALLOY
MATERIAL	100 MICRON NICKEL UNDERPLATED
PLATING TYPE	8% PHOSPHOR BRONZE
PLATING THICKNESS:	GOLD PLATED 6U"
OPERATING TEMP	-40° C TO 125° C
CURRENT RATING	250V AC MAX AT 2A
DIELECTRIC	500V AC
INSULATION RES	500MEGAOHMS

COMPLIES WITH FCC68/F

D

D



E

E

F

F

G

RoHS compliant
Unit: mm

Scale	Free										
TOLERANCE											
X.											
X.X											
X.XX											
DIM	TOL										
X.°	±3°										
X.X°	±1.0°	①	Drawn		04.06.2014	Joanna					
Angle	TOL	Id.	Modification		Date	Name					

ASSMANN
WSW components

Date

Name

Customer-No.

Drawn

04.06.2014

Joanna

Approved

04.06.2014

Joanna

ASSMANN WSW-No.

A-MO-6/4-SR

Drawing-No.

ASS 6401 CO

rev00

Replace

Sheet

G

H

H

1

2

3

4

5

6

7