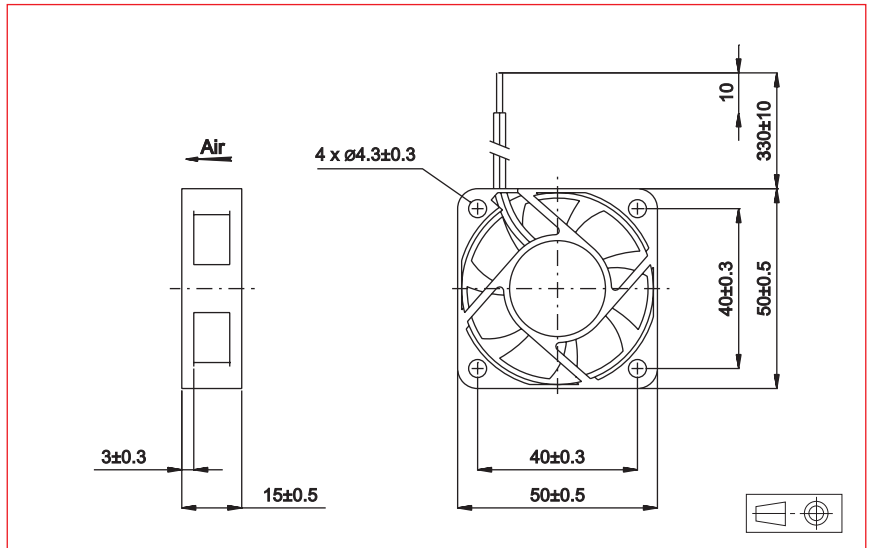


DC Axial Fans



Approvals



Life expectancy

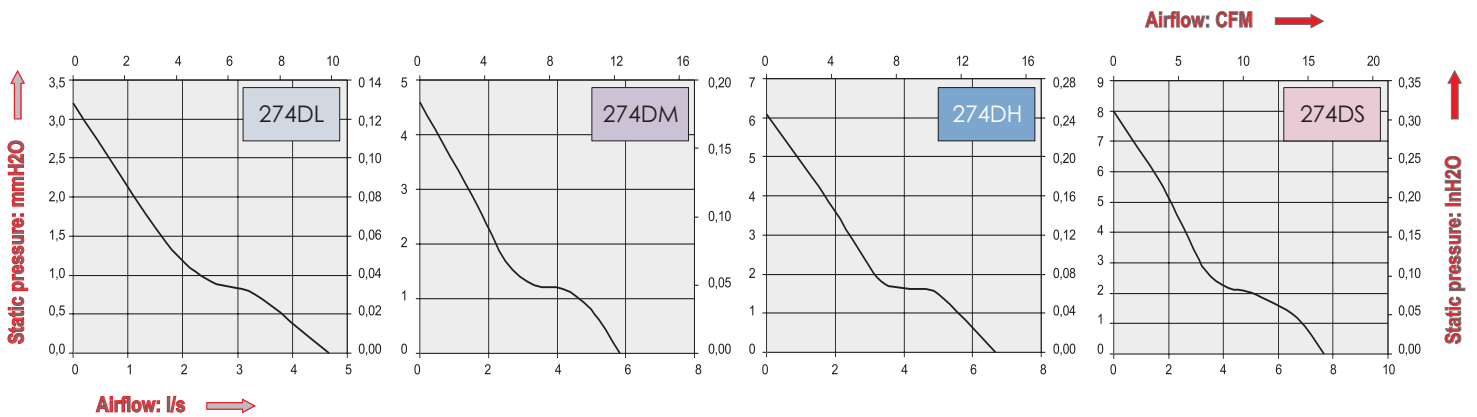
L-10 LIFE AT 40°C:
70 000 hours

Brushless DC Motor

Electrical protection: integrated circuit
Housing material: plastic UL 94 V0
Impeller material: plastic UL 94 V0
Maximum weight: 32 g
Bearing system: ball bearings
Connection: flying leads
IP 20

Available with:

- Speed sensor
- Alarm
- IP 54 / IP 55



Part Number	Nominal voltage	Airflow	Noise level	Nominal speed	Input Power	Voltage range	Operating temperature	
	V	l/s	dB(A)	RPM	W	V	Min.°C	Max.°C
274DL5LP11000	5	4,7	24	4000	0,8	(4,5-5,5)	-10	70
274DL1LP11000	12	4,7	24	4000	0,7	(7-13,8)	-10	70
274DL2LP11000	24	4,7	24	4000	1,7	(14-27,6)	-10	70
274DM5LP11000	5	5,8	28	4800	1,1	(4,5-5,5)	-10	70
274DM1LP11000	12	5,8	28	4800	1,0	(7-13,8)	-10	70
274DM2LP11000	24	5,8	28	4800	1,7	(14-27,6)	-10	70
274DH5LP11000	5	6,7	32	5600	1,6	(4,5-5,5)	-10	70
274DH1LP11000	12	6,7	32	5600	1,2	(7-13,2)	-10	70
274DH2LP11000	24	6,7	32	5600	2,2	(14-27,6)	-10	70
274DS1LP11000	12	7,7	36	6400	1,6	(7-13,8)	-10	70
274DS2LP11000	24	7,7	36	6400	2,6	(14-27,6)	-10	70