

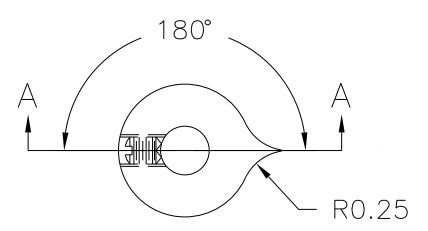
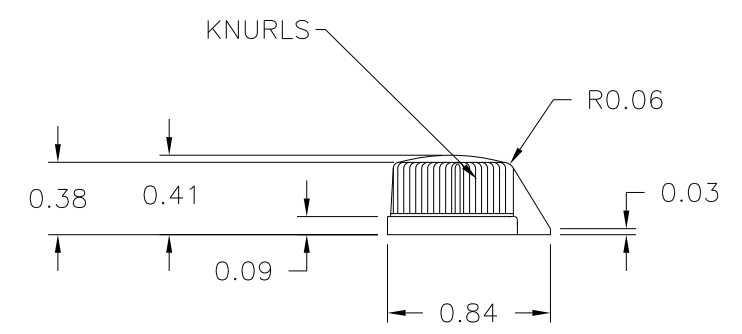
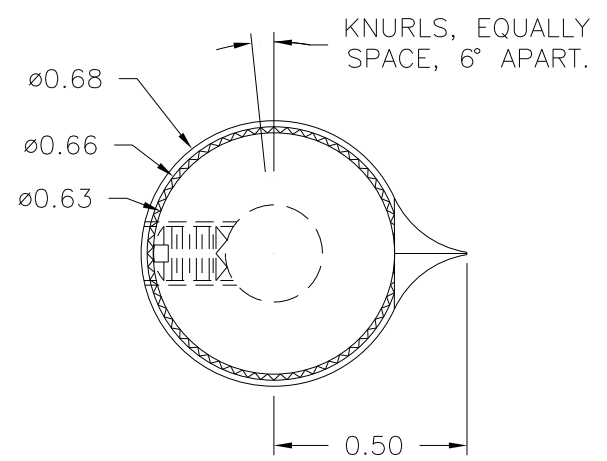
PART NAME: KNOB      SCALE: 1:1      DATE: 3/28/46      DR. BY JVA

DAVIES MOLDING COMPANY  
CAROL STREAM, ILLINOIS 60188

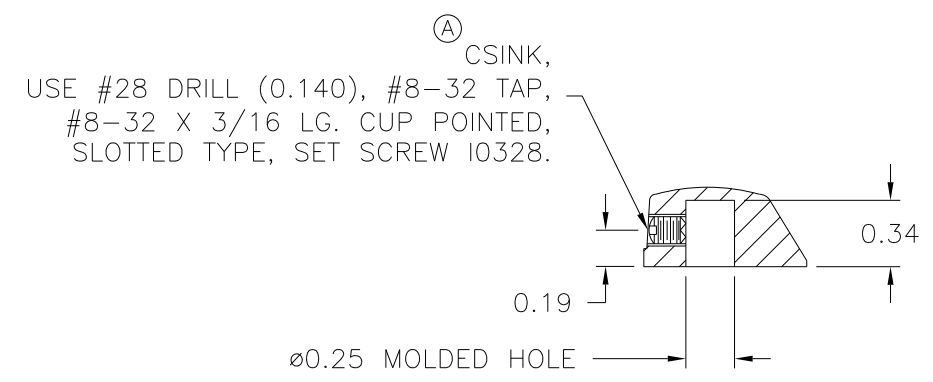
P/N 1400  
BASE PART 1400-01  
SET SCREW I0328

THIS DRAWING IS THE PROPERTY OF DAVIES MOLDING COMPANY, IS SUBMITTED SOLELY AS A DESIGN OR ENGINEERING PROJECT. WE ACCEPT NO RESPONSIBILITY WHATSOEVER FOR THE PRACTICAL APPLICATION OF THE PIECES MADE TO THIS DESIGN.

SCALE 2 : 1



SECTION A-A



MATERIAL: G.P. PHENOLIC (B11)  
COLOR: BLACK

TOLERANCES: UNLESS OTHERWISE SPECIFIED	DO NOT SCALE DRAWING	A	ADDED CSINK	JAM	3/17/08
		-	UPDATED/HAD TOOLBOX	ST	9/6/2000
DECIMALS: X.XXX ± .005 X.XX ± .015	MM: X.XX ± 0.15MM X.X ± 0.4MM	-	UPDATED DRAWING	HD	2/6/97
		-	CAD/REDRAWN	HD	12/17/93
FRACTIONS ± 1/64	ANG. ± 1°	CHANGES			