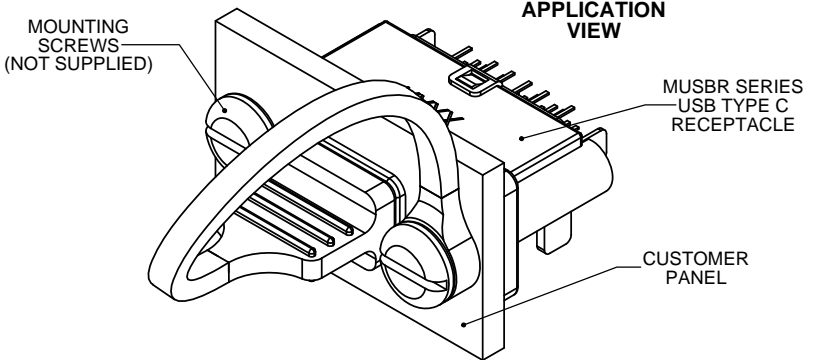
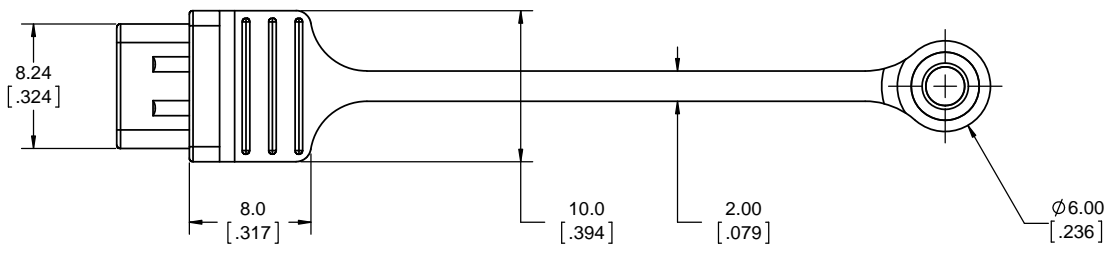
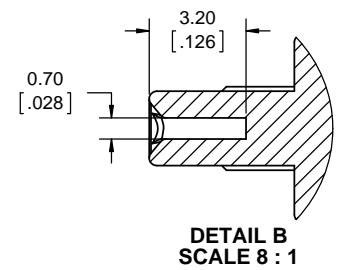
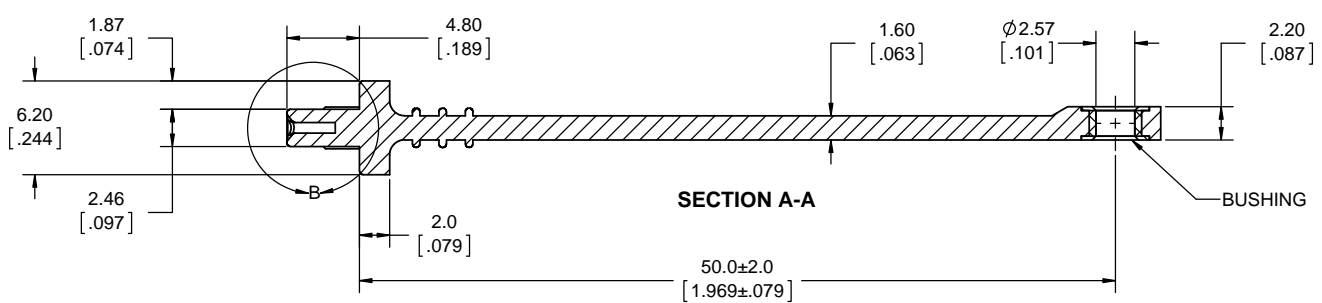
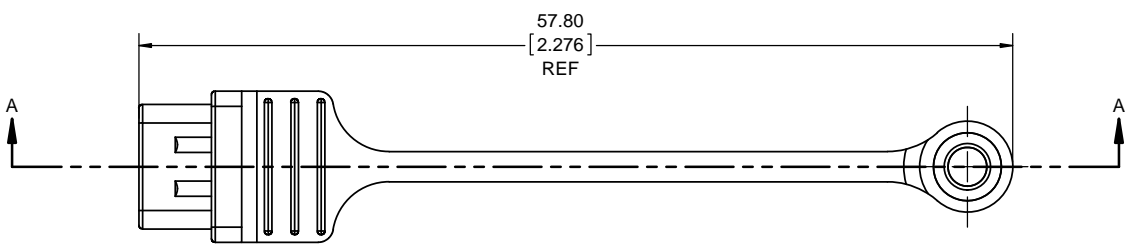


| REVISIONS | | | |
|-----------|------------------------------|----------|-------|
| REV | DESCRIPTION, ECN, EAR NO. | DATE | APP'D |
| A | PROPOSAL DRAWING (EAR 14368) | MAY19/15 | K.L. |



| PART NUMBER | COLOUR |
|------------------|--------|
| MUSBR-2M5C-004BP | GREY |
| MUSBR-2M5C-014BP | BLACK |

- NOTES:**
- MATERIAL:
 - DUST COVER: SILICONE RUBBER, SEE TABLE 1 FOR COLOUR.
 - BUSHING: BRASS, NICKEL PLATED.
 - OPERATING TEMPERATURE: -40°C TO +105°C.
 - PART IS RoHS COMPLIANT PER EU DIRECTIVE 2011/65/EU AND AMENDMENTS.



| | | | |
|----------------------------|------------------------|------------|----------|
| UNLESS SPECIFIED OTHERWISE | DRAWN | M. PAHULJE | MAY05/15 |
| PRIMARY UNITS MILLIMETERS | CHECKED | | |
| SECONDARY UNITS INCHES | M.E. APP'D | | |
| REFERENCE IN PARENTHESES | Q.A. APP'D | | |
| GENERAL TOLERANCES | DWG APPR. | K. LAMBIE | MAY19/15 |
| 1 DECIMAL PLACE ±0.3 | ENG. REL. NO. | | |
| 2 DECIMAL PLACES ±0.15 | REF. | EAR 14368 | |
| 3 DECIMAL PLACES | THIRD ANGLE PROJECTION | | |
| ANGULAR DEGREES | DO NOT SCALE DRAWING | | |

Amphenol Canada Corp.
www.amphenolcanada.com
MUSBR SERIES
DUST COVER,
FOR USB TYPE C RECEPTACLE,
RoHS COMPLIANT

DWG. NO. **P-MUSBR-2M5C-0X4BP** REV **A**

CODE ID NO. 03554 DWG SIZE: X SCALE: 4:1 SHEET 1 OF 1

THIS DOCUMENT CONTAINS PROPRIETARY INFORMATION AND SUCH INFORMATION MAY NOT BE DISCLOSED TO OTHERS FOR ANY PURPOSE OR USED FOR MANUFACTURING PURPOSES WITHOUT WRITTEN PERMISSION FROM AMPHENOL CANADA CORP.