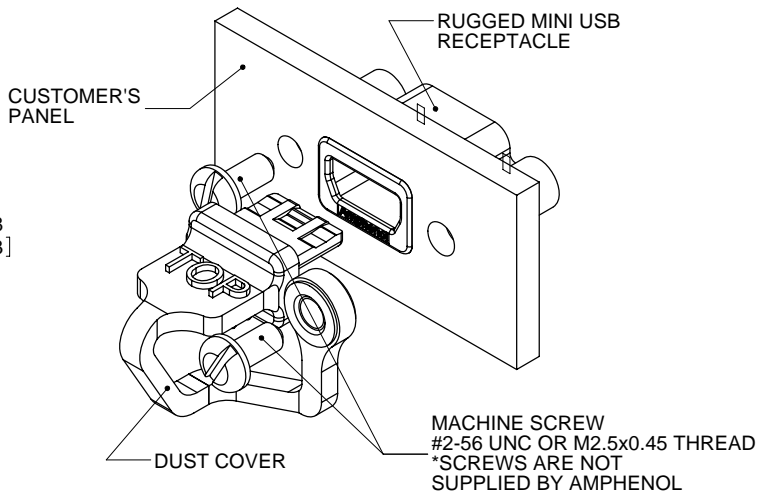
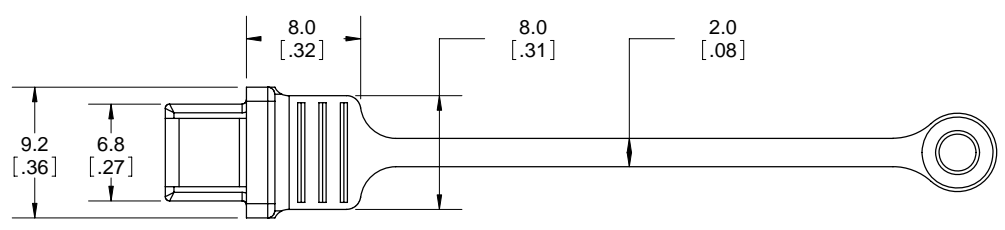
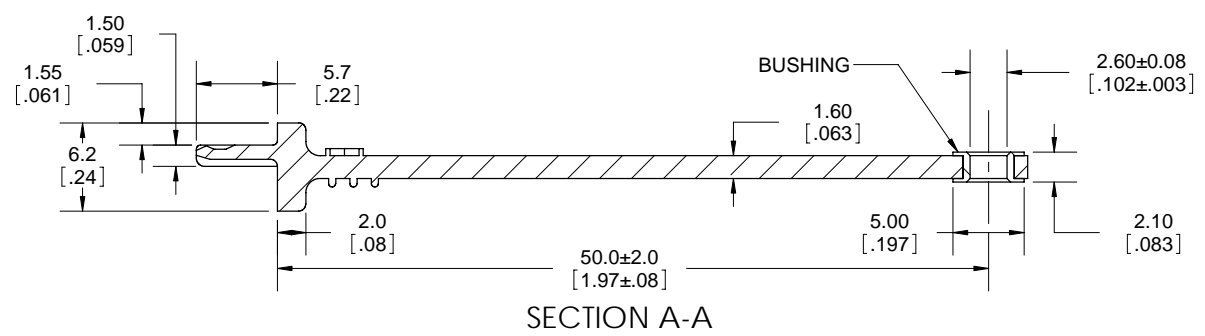
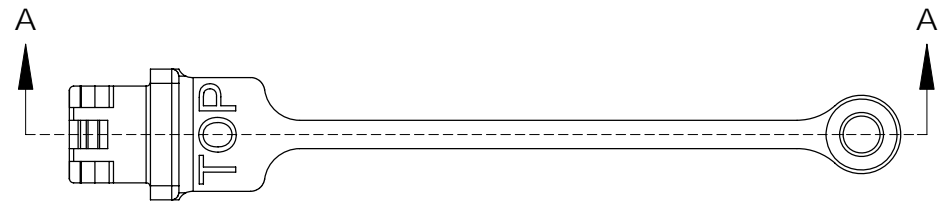


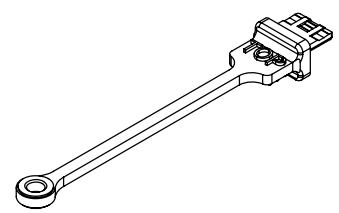
REVISIONS			
REV.	DESCRIPTION	DATE	APPROVED
C	REV PER ECN E09035	MAR31/09	A.G.



NOTES

- MATERIAL:**
 - RUBBER: SILICONE RUBBER, UL94V-0, SEE CHART FOR COLOUR
 - BUSHING: BRASS ALLOY, NICKEL PLATED.
- PART IS RoHS COMPLIANT PER EU DIRECTIVE 2002/95/EC AND AMENDMENTS.

AMPHENOL PART NUMBER	COLOUR
MUSB-2E151-005BP	GREY
MUSB-2E151-015BP	BLACK



DO NOT SCALE DRAWING

THIS DOCUMENT CONTAINS PROPRIETARY INFORMATION AND SUCH INFORMATION MAY NOT BE DISCLOSED TO OTHERS FOR ANY PURPOSE OR USED FOR MANUFACTURING PUPOSES WITHOUT PERMISSION FROM AMPHENOL CANADA CORP.



UNLESS OTHERWISE SPECIFIED DIMENSIONS ARE IN MILLIMETERS [INCHES] TOLERANCES ARE:		APPROVALS		DATE	Amphenol Canada Corp. MUSB SERIES, DUST COVER FOR MINI USB, RoHS COMPLIANT
DECIMALS	ANGLES	DRAWN	LAWRENCE KIM	JUNE04/07	
X.X ± 0.3	± 1°	DESIGNED	LAWRENCE KIM	JUNE04/07	
X.XX ± 0.10		CHECKED			
MATERIAL AND FINISH		QA APPD			
N/A					
REF.	X	IE APPD			
CODE IDENT. NO.	03554	DWG APPD		A.GREEN	JUNE04/07
		SCALE		2:1	
		PROJECT			
		SHEET			1 OF 1