

## DETAILS

|                        |                  |
|------------------------|------------------|
| <b>Product Number</b>  | FCN12790_IRIS-M  |
| <b>Family</b>          | Iris             |
| <b>Type</b>            | Pack             |
| <b>Color</b>           | black            |
| <b>Diameter</b>        | 38 mm            |
| <b>Height</b>          | 28,4 mm          |
| <b>Style</b>           | round            |
| <b>Optic Material</b>  | PMMA,PMMA        |
| <b>Holder Material</b> |                  |
| <b>Fastening</b>       | glue, pin, screw |
| <b>Status</b>          | production ready |
| <b>ROHS Compliant</b>  | Yes              |
| <b>Date Updated</b>    | 3/11/2016        |

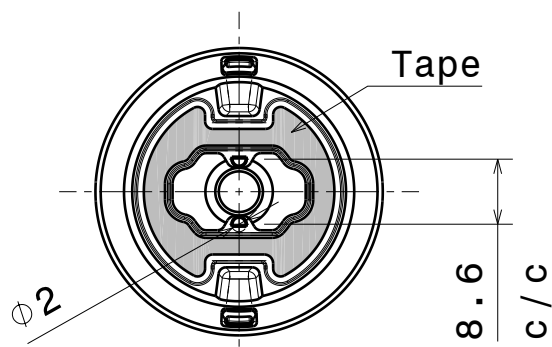
## OPTICAL PROPERTIES

| LED      | Viewing Angle | Light Beam | Efficiency | cd/lm      | Connector |
|----------|---------------|------------|------------|------------|-----------|
| XP-E     | 29 deg        | Medium     | 81 %       | 3.600      | -         |
| XP-G     | 29 deg        | Medium     | 81 %       | 3.300      | -         |
| XHP35 HD | 29 deg        | Medium     | 82 %       | sim: 3.000 | -         |

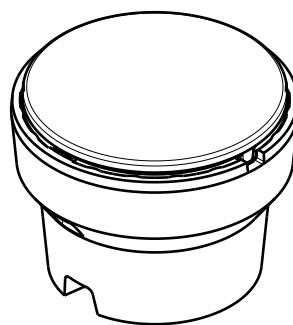


D C B A

4



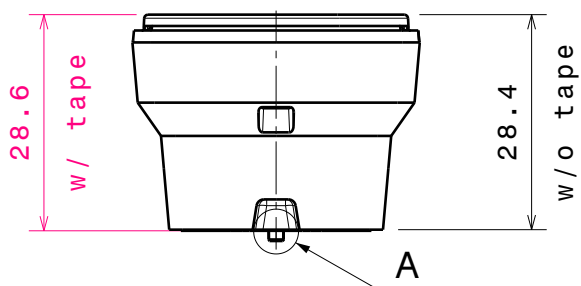
Bottom view



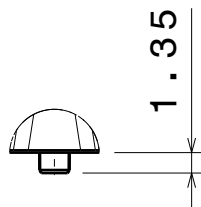
Isometric view

4

3



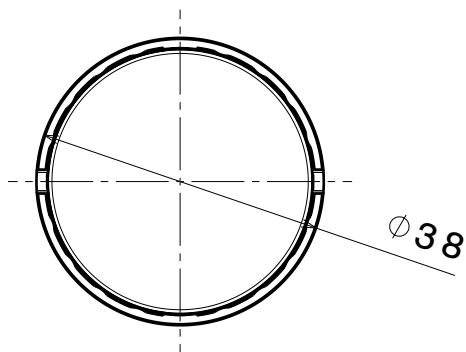
Front view



Detail A

3

2



Top view

2

Materials:

Lens: PMMA  
 Sublens: PMMA  
 Holder: PC  
 Tape: PU Foam

This drawing is our property.  
 It can't be reproduced  
 or communicated without  
 our written agreement.

**LEDIL** Ledil Oy  
 Salorankatu 10  
 FIN 24240 SALO  
 Finland

DRAWING TITLE | Mechanical drawing  
**IRIS-XP**

|                         |                   |
|-------------------------|-------------------|
| DRAWN BY<br><b>as</b>   | DATE<br>17.8.2012 |
| CHECKED BY<br><b>sn</b> | DATE<br>-         |
| DESIGNED BY<br>-        | DATE<br>-         |

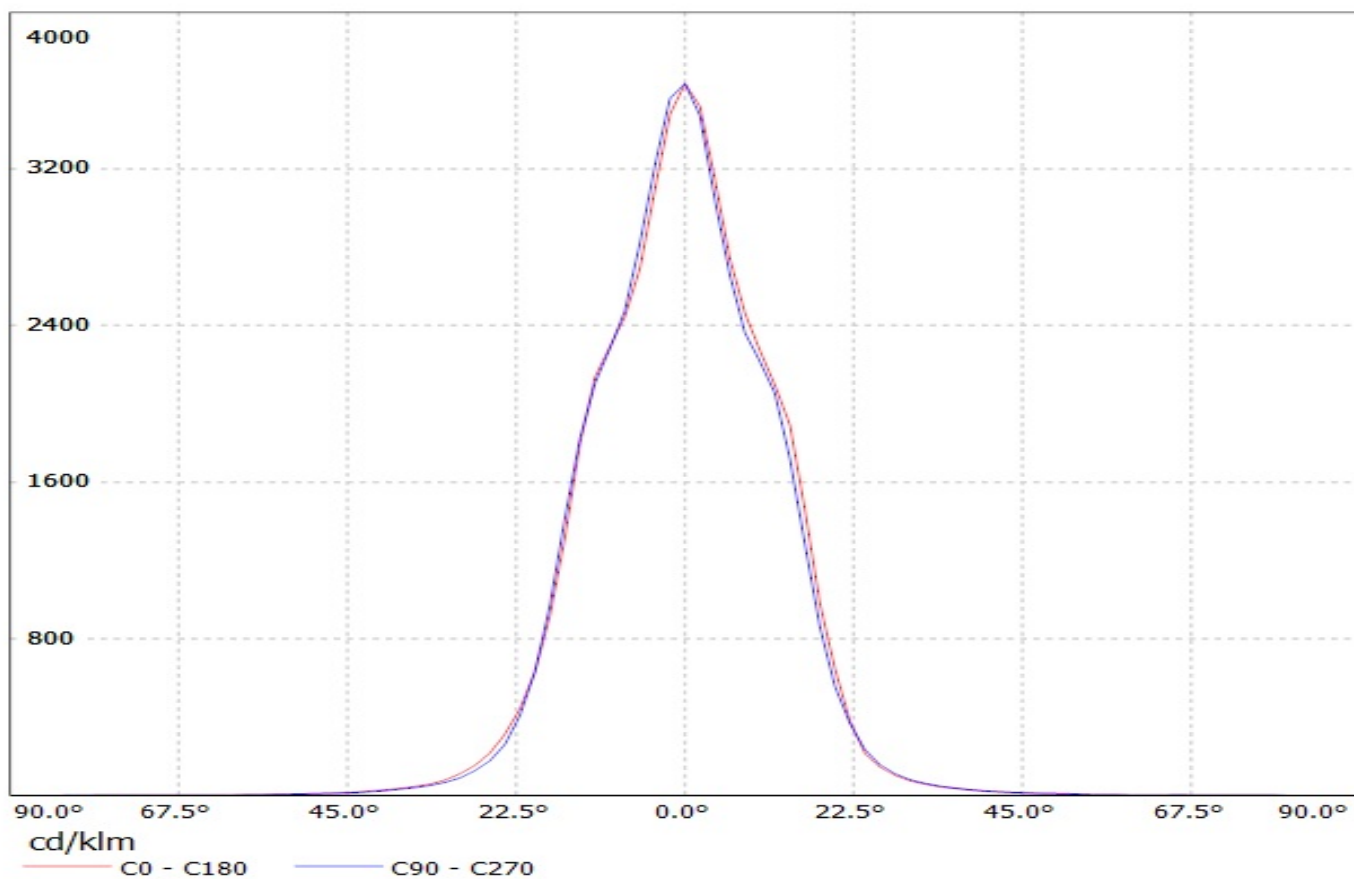
|                     |             |                     |
|---------------------|-------------|---------------------|
| SIZE<br><b>A4</b>   | PART NUMBER | REV<br><b>001</b>   |
| SCALE<br><b>1:1</b> | WEIGHT<br>- | SHEET<br><b>1/1</b> |

1

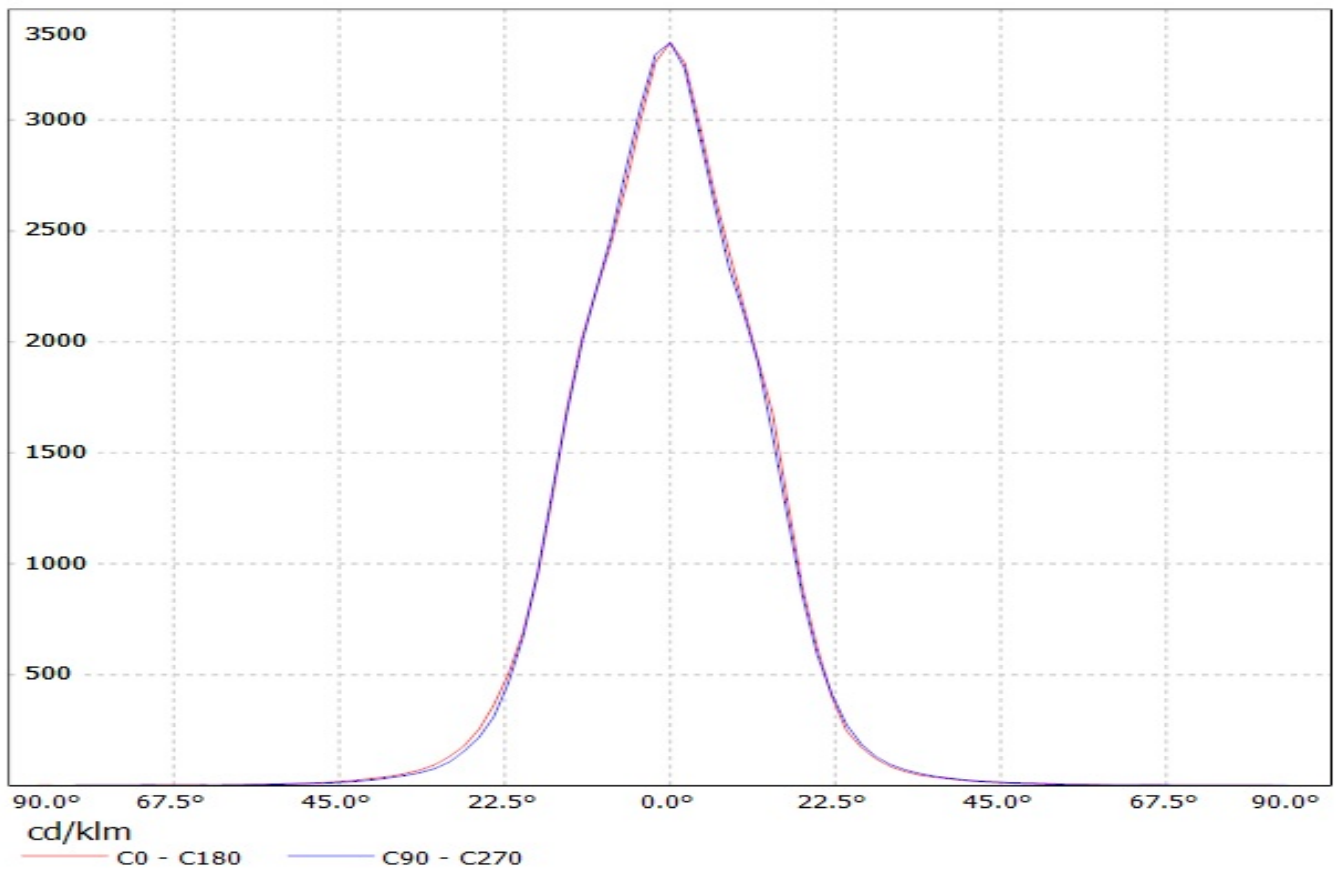
D

A

Luminaire: LEDil Oy FCN12790\_IRIS-M\_(XP-E) Efficiency=81%  
Lamps: 1 x Cree XP-E (XPEWHT-L1-3C0-Q5-0-06) 78.4lm @ 250mA CCT=5500K P=0.8W I=250mA

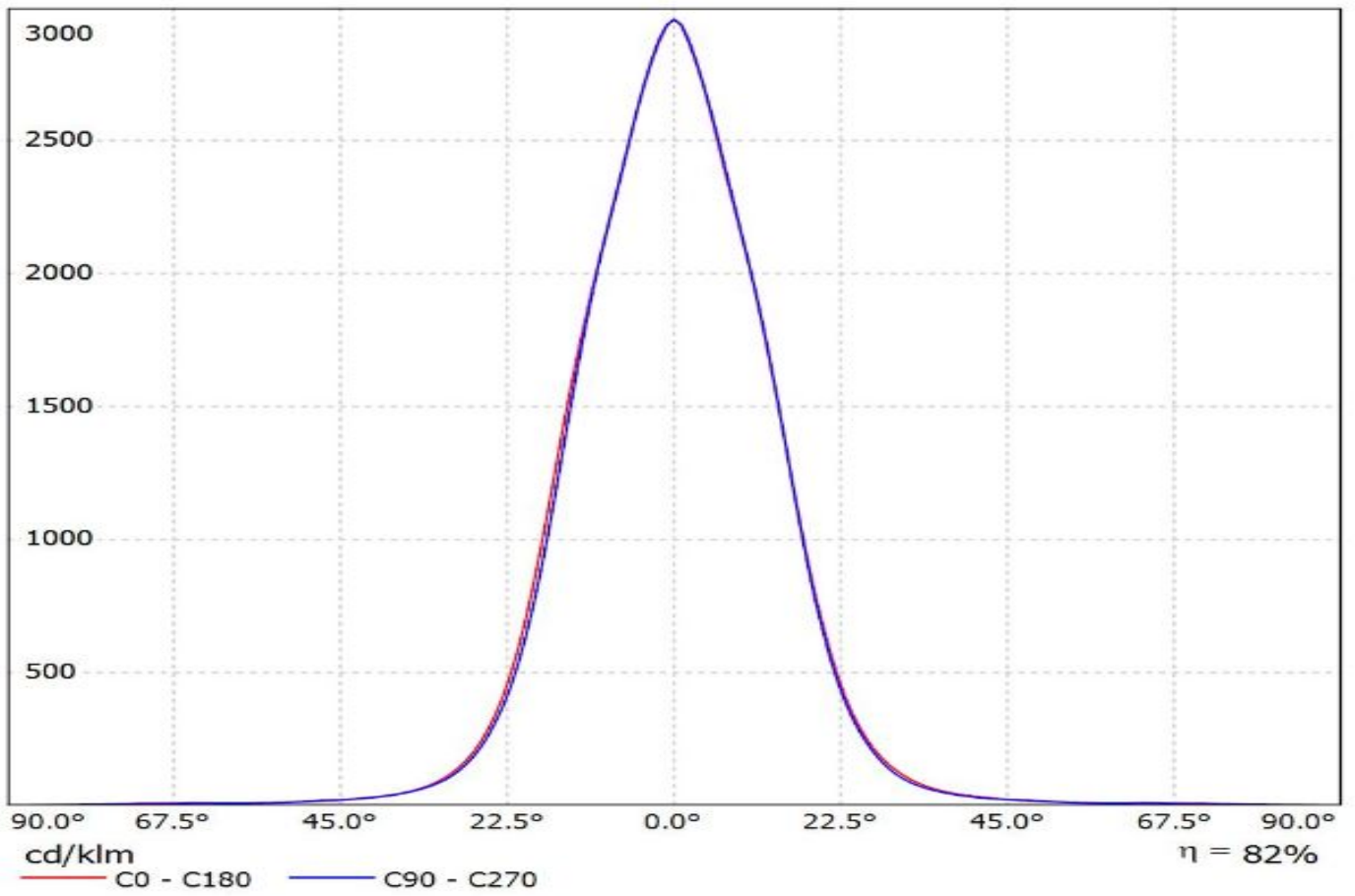


Luminaire: LEDil Oy FCN12790\_IRIS-M\_(XP-G) Efficiency=81%  
Lamps: 1 x Cree XP-G (XPGWHT-L1-CWPI-00BE7) 67lm @ 250mA CCT=3100K P=0.8W I=250mA



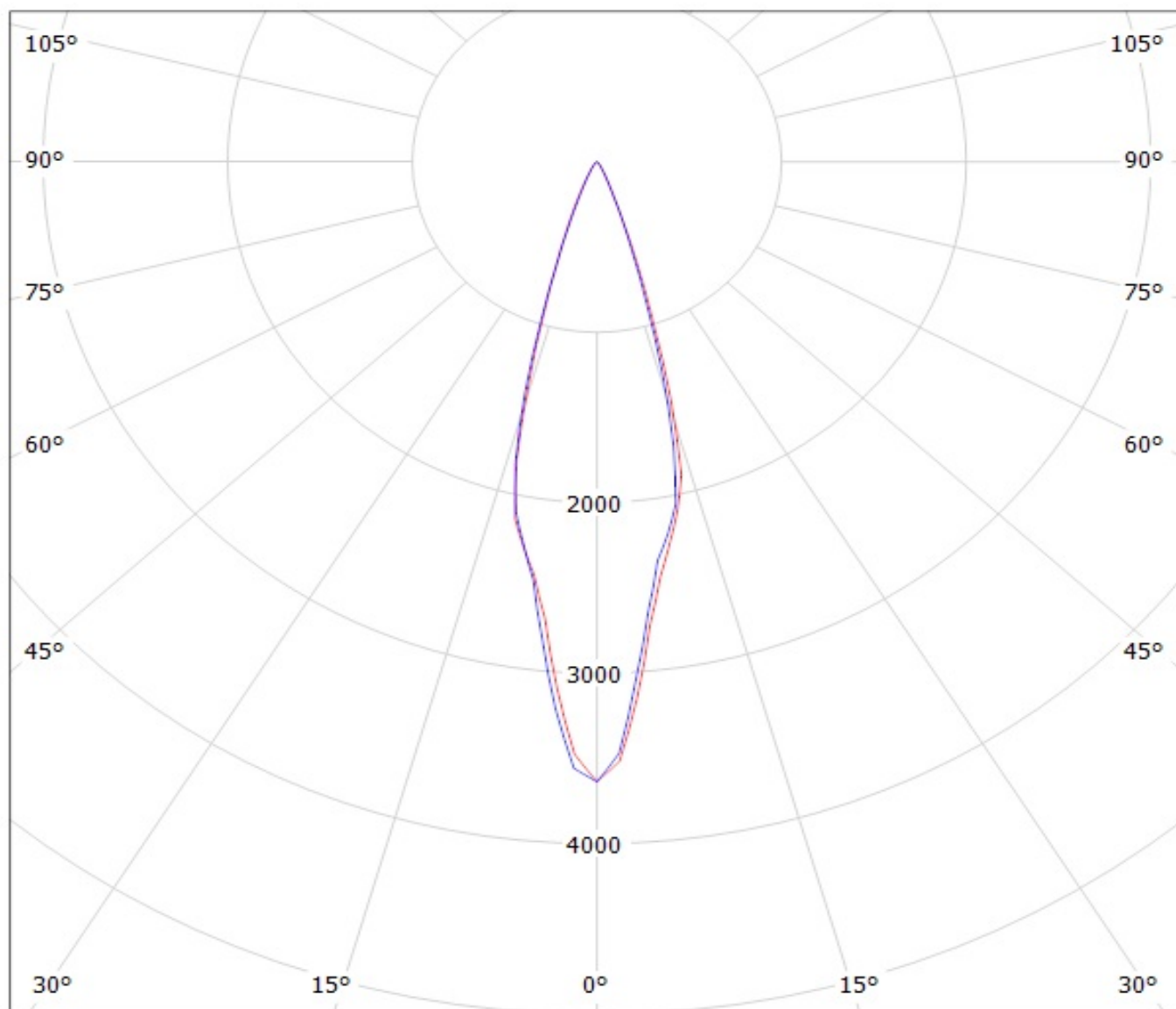
Luminaire: Ledil FCN12790\_IRIS-M\_(XHP35\_HD)

Lamps: 1 x Cree\_XHP35\_HD\_460.935lm@250mA\_CCT=7778K\_P=2.9413W\_I=0.25A



Luminaire: LEDil Oy FCN12790\_IRIS-M\_(XP-E) Efficiency=81%

Lamps: 1 x Cree XP-E (XPEWHT-L1-3C0-Q5-0-06) 78.4lm @ 250mA CCT=5500K P=0.8W I=250mA

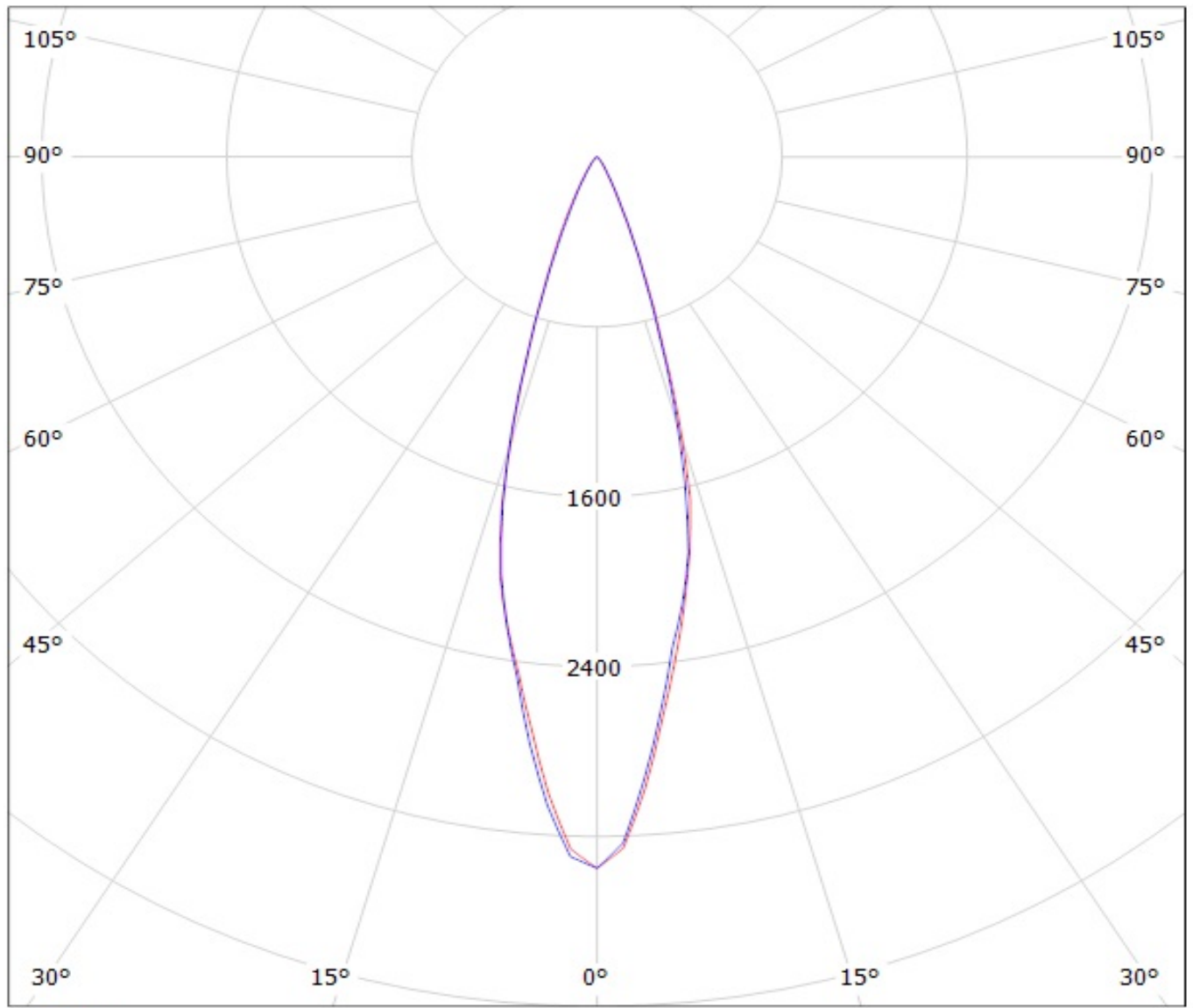


cd/klm

— C0 - C180

— C90 - C270

Luminaire: LEDil Oy FCN12790\_IRIS-M\_(XP-G) Efficiency=81%  
Lamps: 1 x Cree XP-G (XPGWHT-L1-CWPI-00BE7) 67lm @ 250mA CCT=3100K P=0.8W I=250mA



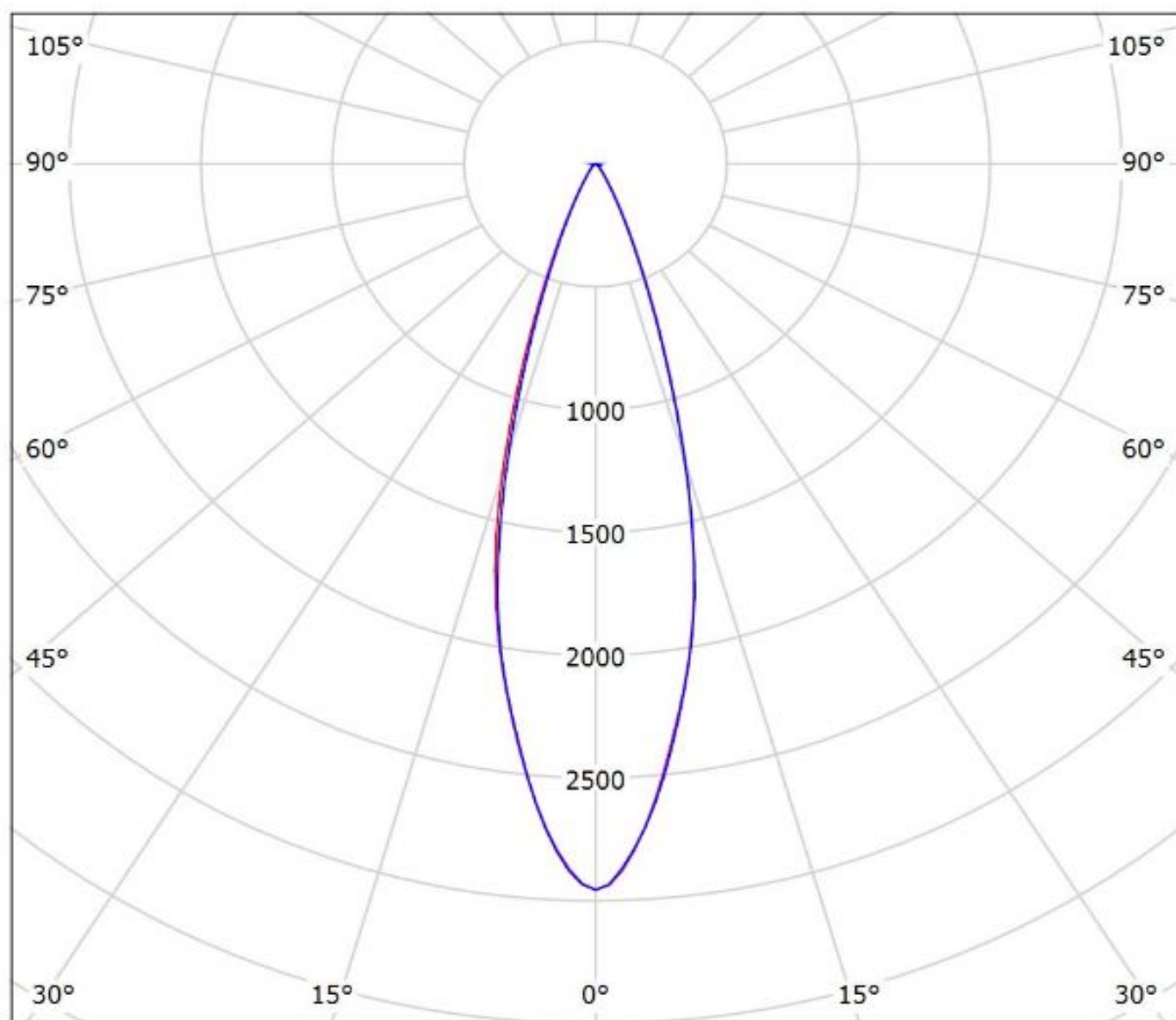
cd/klm

— C0 - C180

— C90 - C270

Luminaire: Ledil FCN12790\_IRIS-M\_(XHP35\_HD)

Lamps: 1 x Cree\_XHP35\_HD\_460.935lm@250mA\_CCT=7778K\_P=2.9413W\_I=0.25A



cd/klm

— C0 - C180 — C90 - C270

$\eta = 82\%$



**NOTE: The typical divergence will be changed by different color, chip size and chip position tolerance. The typical total divergence is the full angle measured where the luminous intensity is half of the peak value.**