



**PART NUMBER:** CLF0381MP-1

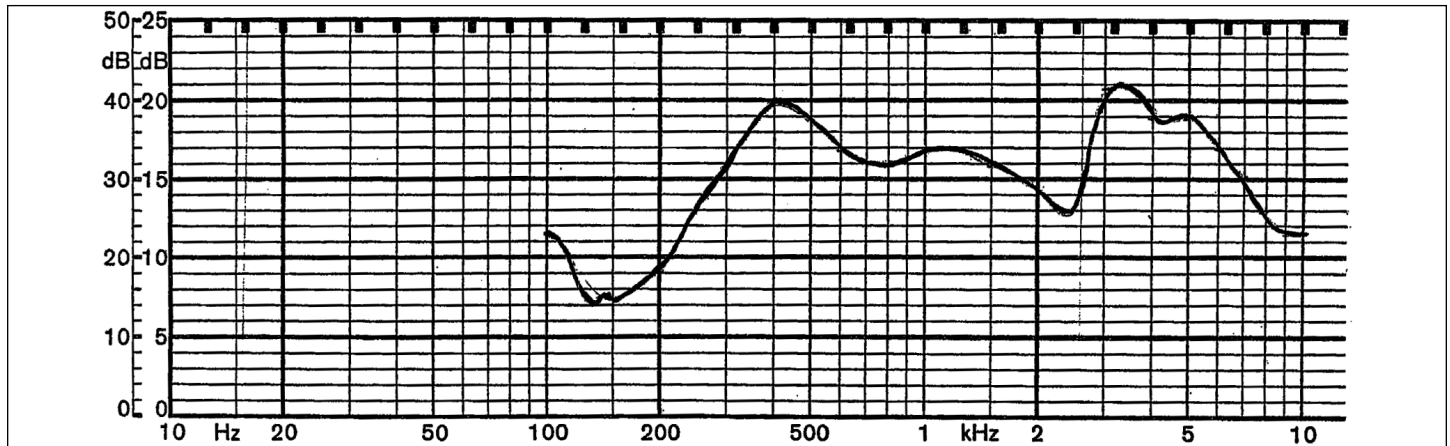
**DESCRIPTION:** speaker

**SPECIFICATIONS**

nominal size	38 mm		
impedance	8 Ohm $\pm$ 15%	at	1 KHz 1 V
resonant frequency	380 Hz $\pm$ 76 Hz	at	1 V
sound pressure level	93 dB/w $\pm$ 3 dB	0.1 w 5 cm ave. at 0.6K, 0.8K, 1K, 1.2K Hz	
response	Fo Hz ~ 10 KHz max 10 dB		
input power	nominal 0.25 W	handling capacity	0.4 W
operation	must be normal at program source 0.25 W		
buzz, rattle, etc.	must be normal at sine wave 1.41 V		
magnet	size: 27 x 17 x 3 mm		
load test	white noise	0.25 W for	48 hours
heat test	70 $\pm$ 2° C	20-50% R.H.	48 hours
humidity test	40 $\pm$ 2° C	90-95% R.H.	48 hours

**FREQUENCY RESPONSE CURVE**

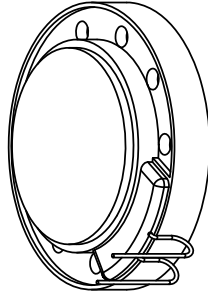
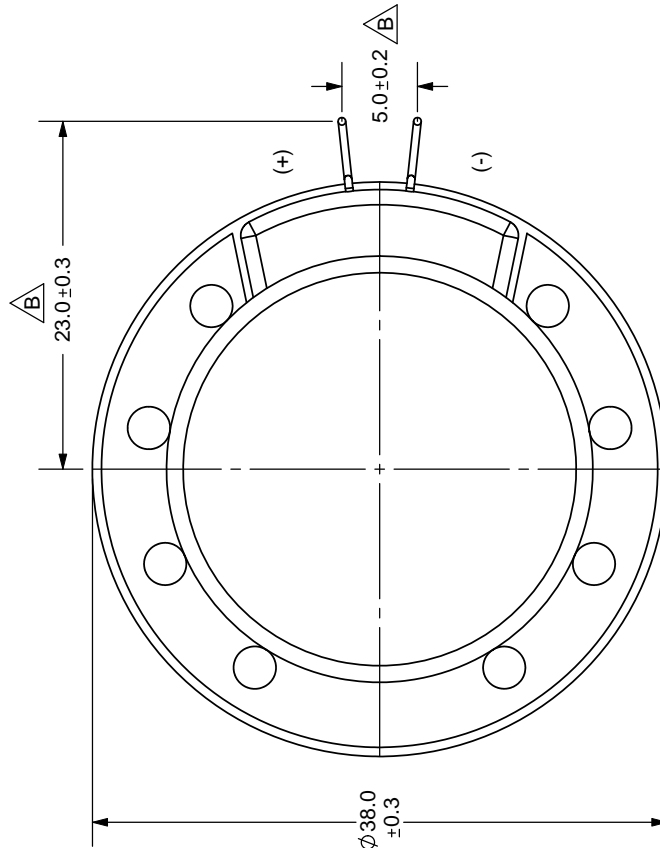
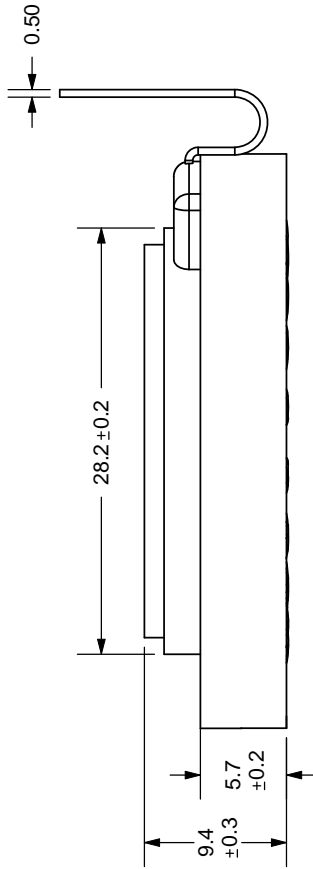
potentiometer range	50 dB
rectifier	RMS
lower limit frequency	20 Hz
wr. speed	100 mm/sec



zero level 60 dB

initial here \_\_\_\_\_

REV.	DESCRIPTION	DATE
A	NEW DRAWING	7/3/2007
B	Added dimensions	4/2/2008



SCALE 1:1



TOLERANCE:  
±0.5mm UNLESS OTHERWISE  
SPECIFIED



**CUI INC**

20050 SW 112th Ave.  
Tualatin, OR 97062  
Phone: 503-612-2300  
800-275-4899  
Fax: 503-612-2383  
Website: www.cui.com

TITLE: LOW PROFILE SPEAKER	REV: B
PART NO: CLF0381MP-1	UNITS: MM [INCHES]
DRAWN BY: ZRJ	APPROVED BY:
	SCALE: 2:1