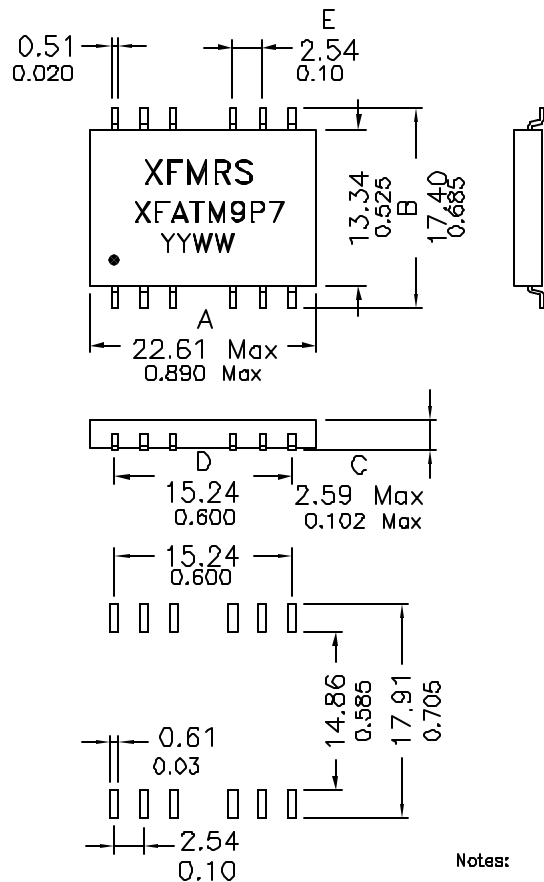


1. Dimensions:

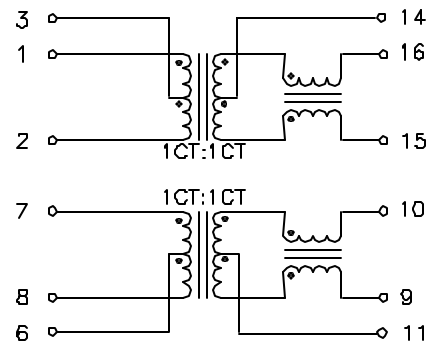


SUGGESTED FOOTPRINT

Notes:

- Solderability: Leads shall meet MIL-STD-202G, Method 208H for solderability.
- Flammability: UL94V-0
- ASTM oxygen Index: > 28%
- Insulation System: Class F 155°C. UL file E151556
- Operating Temperature Range: All listed parameters are to be within tolerance from -40°C to +85°C
- Storage Temperature Range: -55°C to +125°C
- Aqueous wash compatible
- SMD Lead Coplanarity: ±0.004" (0.102mm)
- Electrical and mechanical specifications 100% tested
- RoHS Compliant Component

2. Schematic:



3. Electrical Specifications: @25°C

HIPOT: 1500VAC

OCL: P2-3,P5-6 350uH Min. @100KHz 0.1V 8mADC

Turns Ratio (1-3-2):(16-14-15) = 1CT:1CT±3%

Turns Ratio (7-6-8):(10-9-11) = 1CT:1CT±3%

Insertion Loss: 300KHz-100MHz 0.9dB TYP

Insertion loss: 100-125MHz 1.5dB Max

Return Loss: 300KHz-100MHz 12dB Typ.

Rise Time (10-90%): 4.0ns Typ (For Reference Only)

Differential to Common Mode Rejection: (For reference Only)

-40dB Min @ 30MHz

-35dB Min @ 50MHz

-30dB Min @ 100MHz

-20dB Min @ 150MHz

Crosstalk: (For reference Only) -40dB Min @1 to 100MHz

DOC. REV: A/1

PROPRIETARY

Document is the property of XFMRS Group & is not allowed to be duplicated without authorization.

XFMRS Inc www.XFMRS.com	Title: 10/100BASE-TX Filter Modules		
	UNLESS OTHERWISE SPECIFIED TOLERANCES: .xxx ±0.010 Inch Dimensions in Inch/mm		P/N: XFATM9P7
SCALE 2:1 SHT 1 OF 1	DWN.	Juan Mao	Aug-03-07
	CHK.	YK Liao	Aug-03-07
	APP.	BW	Aug-03-07