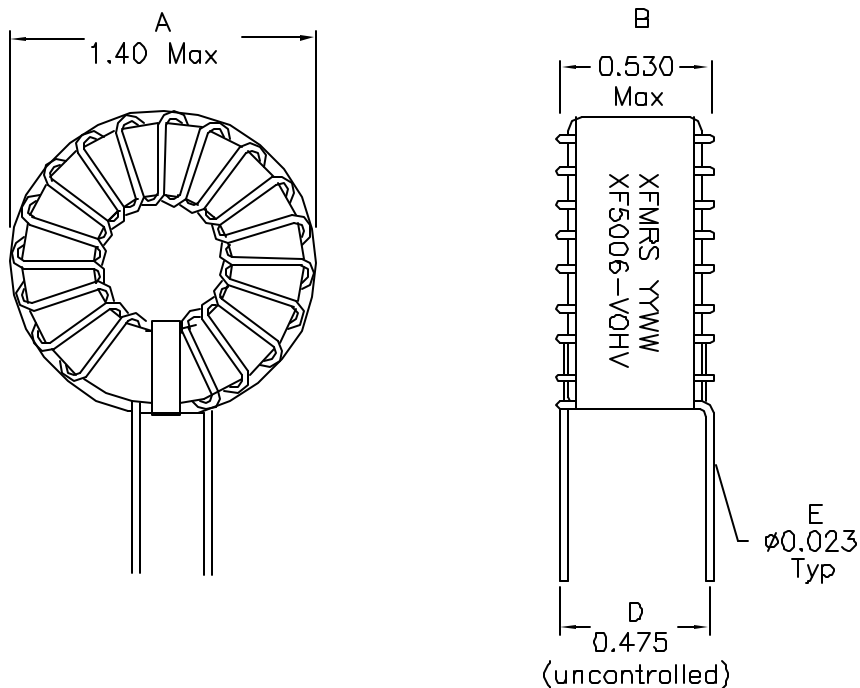


### 1. Mechanical Dimensions:

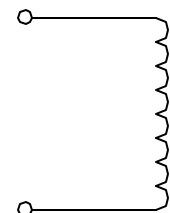


**Notes:**

1. Solderability: Leads shall meet MIL-STD-202G, Method 208H for solderability.
2. Flammability: UL94V-0
3. ASTM oxygen index: > 28%
4. Insulation System: Class F 155°C. UL file E151556
5. Operating Temperature Range: All listed parameters are to be within tolerance from -40°C to +85°C
6. Storage Temperature Range: -55°C to +125°C
7. Aqueous wash compatible
8. Electrical and mechanical specifications 100% tested
9. RoHS Compliant Component
10. Must be wound in one single layer, no crossovers.
11. Spacing between start and finish wires is 0.100" MIN.

DOC. REV: A/2

### 2. Schematic:



### 3. Electrical Specifications: @25°C

OCL: 500uH±10% @10KHz 0.10V  
 Irated: 1.5Adc (apx 15% drop in initial L)  
 DCR: 0.210 Ohms Max  
 Voltage Rating: 365V typ

**PROPRIETARY** Document is the property of XFMR5 Group & is not allowed to be duplicated without authorization.

<b>XFMR5 Inc</b> www.XFMR5.com		Title: TOROIDAL INDUCTOR	
UNLESS OTHERWISE SPECIFIED TOLERANCES: .xxx ±0.010 Dimensions in Inches	P/N: XF5006-VOHV	REV. A	
	DWN.	康玉坤	May-09-06
SHEET 1 OF 1	CHK.	李清儿	May-09-06
	APP.	MS	May-09-06