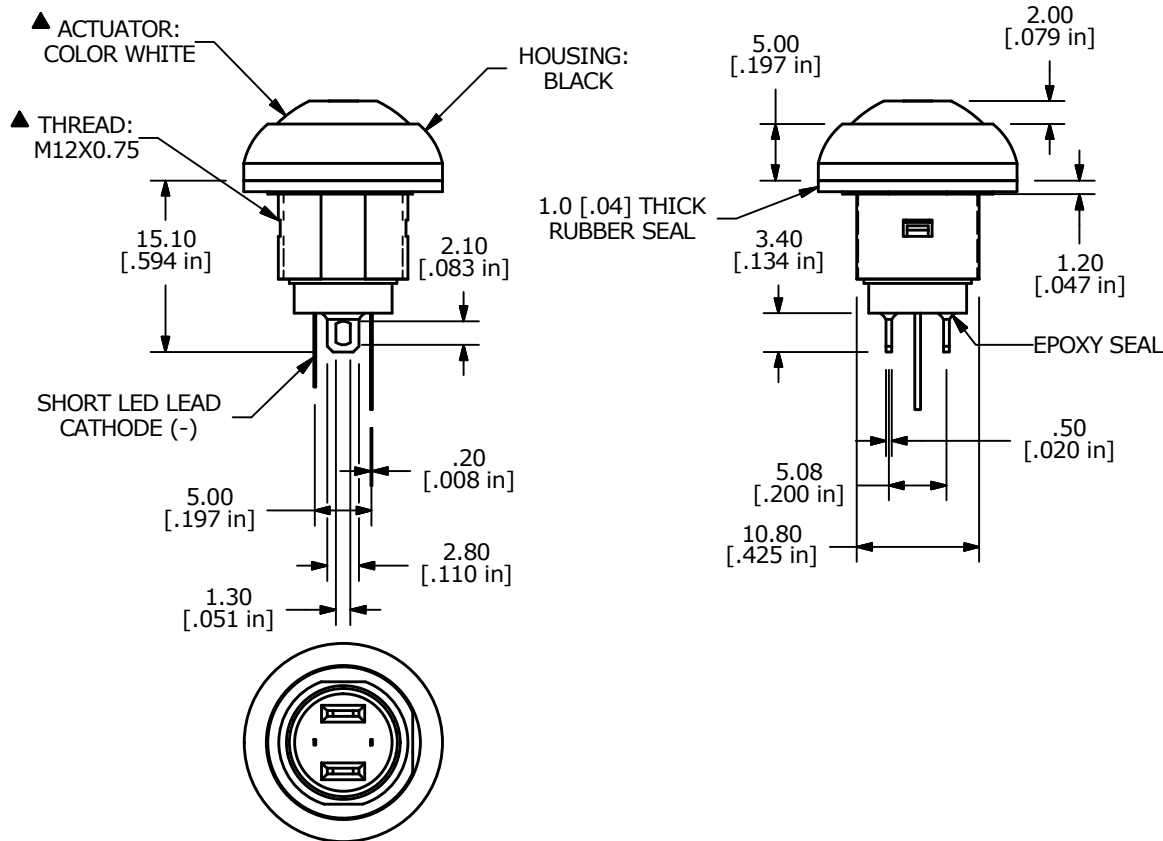


LED PARAMETER	FORWARD CURRENT	FORWARD VOLTAGE @ 20mA	LUMINOUS INTENSITY
UNITS	mA	V	mcd
YELLOW	20	2.1 - 2.6	100

- NOTE:**
1. ALL DIMENSIONS IN MM [INCH]
 2. GENERAL TOLERANCE: X.X=±0.4
X.XX=±0.25
 3. TERMINAL NUMBERS FOR REF ONLY
 4. CIRCUIT: SPST OFF-MOMENTARY ON
 5. CONTACT MATERIAL: Gold over SILVER
 - ▲ 6. RATING: 125mA @ 125 VAC
100mA @ 50 VDC
 7. ELECTRIC LIFE: 500,000 CYCLES AT FULL LOAD
 8. CONTACT RESISTANCE: 50 milli-OHM max. (INITIAL)
 9. INSULATION RESISTANCE: 1,000 MEGA-OHM min. @ 500VDC.
 10. DIELECTRIC STRENGTH: 1,000 VAC rms.
 11. OPERATING FORCE: 350 gf +/- 150 gf
 12. OPERATING TEMPERATURE: -30°C TO +85°C.
 13. CONTACT BOUNCE: 10ms MAX.
 - ▲ 14. TRAVEL: 1.5mm
 15. PANEL THICKNESS RANGE: 1.5 - 4.0 mm.
 16. ▲ DENOTES CRITICAL PARAMETER.
 17. 2011/65/EU (ROHS) COMPLIANT
 18. MAX MOUNTING TORQUE: 1.5 Nm APPLIED TO THE NUT
 - ▲ 19. HARDWARE INCLUDED:
 1. T081101 LOCK WASHER (1)
 2. T081102 HEX NUT (1)
 3. T081100 RUBBER SEAL (1)
 20. SEAL RATING: IP67 AT THE FRONT PANEL



REV	PCR NO	DESCRIPTION	DATE	BY
E	22441	ADDED BOTTOM VIEW	8/12/16	MJR
D	21594	CHANGE NOTE 20: IP67 WAS IP65	9/24/14	EBP

E-SWITCH®				
TITLE RP8100B2M1CEBLKWHTYEL				
SCALE	DATE	DR	DWG	REV
3:2	6/18/2008	BLR	ST081032	E