

6

5

4

3

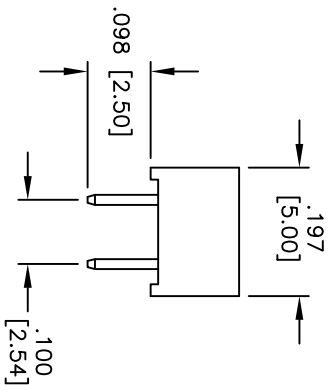
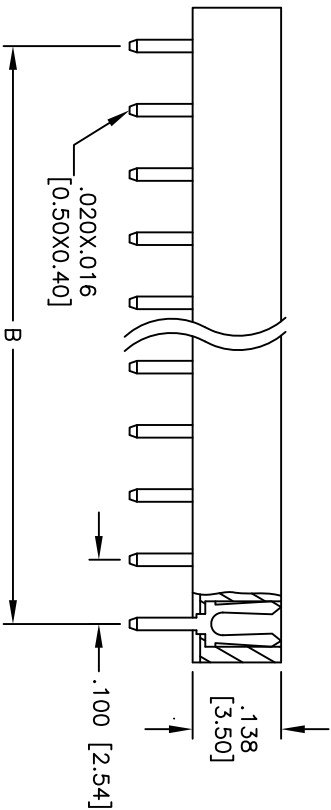
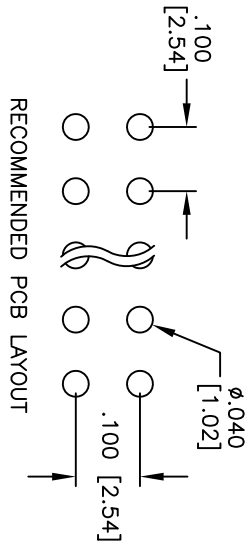
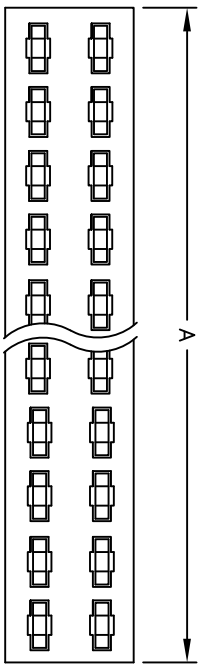
2

1

APPROVED: \_\_\_\_\_

DATE: \_\_\_\_\_ TITLE: \_\_\_\_\_

Rev	AWO #	Description	Date	Appr
-		RELEASED	5/31/05	
A		REDRAWN	6/30/10	



**SPECIFICATIONS:**

Material: Insulator: PBT, rated UL 94V-0

Insulator color: Black

Contacts: Phosphor Bronze

Plating:

Gold flash over Nickel underplate overall

Electrical: Current rating: 3 Amps

Contact resistance: 20 mohms max.

Insulation resistance: 1,000 Mohms min.

Dielectric withstanding voltage: AC 600V

Temperature Rating:

Operating temperature: -40°C to +105°C

Environmental:

Lead free, RoHS compliant

Recommended soldering temp: 235°C for 5 seconds



A = .100 [2.54] x No. of Positions per Row + .020 [0.50]  
 B = .100 [2.54] x No. of Spaces

UNLESS OTHERWISE SPECIFIED  
 ALL DIMENSIONS ARE IN INCHES [MM]  
 TOLERANCES: EXCEPT AS NOTED  
 INCHES Holes ±.10 ±.015 ±.010  
 .X ±.10 ØXX ±.10  
 .XX ±.020 ØXXX ±.015  
 .XXX ±.015 ØXXXX ±.010

APPROVALS	DATE
DRAWN	SS
CHECKED	
APPROVED	

TITLE: .100 x .100 DUAL ROW RECEPTACLE STRIP  
 VERY LOW PROFILE, .138 [3.50] HEIGHT

**ADAM TECH**

909 Rahway Avenue, Union, NJ 07083  
 Phone: 908-687-5000 Fax: 908-687-5710

SIZE	PART NO.	REV.
X	RSVL-2A-XX-G	A
REF: S00039T	SCALE: NTS	SHEET 1 OF 1

6

5

4

3

2

1