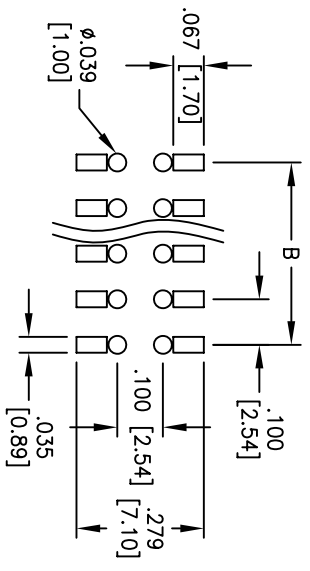
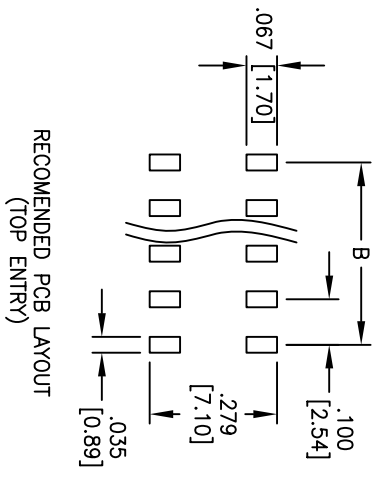
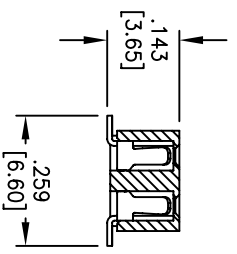
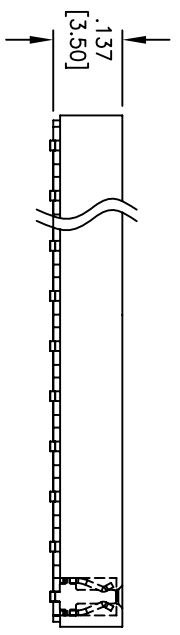
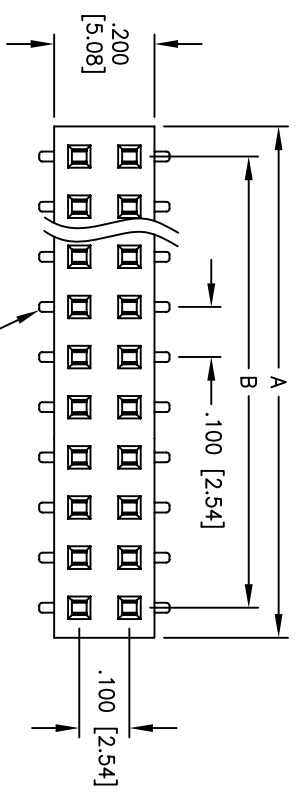


Rev	AWO #	Description	Date	Appr
-		RELEASED	9/21/06	

APPROVED: _____
 DATE: _____ TITLE: _____



A = .100 [2.54] X No. of Positions/row + .019 [0.50]
 B = .100 [2.54] X No. of Spaces

RECOMMENDED PCB LAYOUT
 (BOTTOM ENTRY)

RECOMMENDED PCB LAYOUT
 (TOP ENTRY)

SPECIFICATIONS:
Material:
 Insulator: Nylon 6T, Glass reinforced, rated UL 94V-0
 Insulator color: Black
 Contacts: Phosphor Bronze
Plating:
 Gold Flash over nickel underplate overall
Electrical:
 Operating voltage: 250 VAC max.
 Current rating: 3 Amps max.
 Contact resistance: 20 mohms max. initial
 Insulation resistance: 5,000 Mohms min.
 Dielectric withstanding voltage: 1,000 VAC for 1 minute
Temperature Rating:
 Operating temperature: -40°C to +105°C
Environmental:
 Lead free, RoHS compliant.
 Recommended soldering temp: 260°C for 5 sec.

UNLESS OTHERWISE SPECIFIED ALL DIMENSIONS ARE INCHES [MM] TOLERANCES: EXCEPT AS NOTED	
INCHES	
X	± .10
.XX	± .020
.XXX	± .015
ØXX	± .015
ØXXX	± .010
APPROVALS	
DRAWN	SS
CHECKED	
APPROVED	
DATE	9/21/06

ADAM TECH
 909 Rahway Avenue, Union, NJ 07083
 Phone: 908-687-5000 Fax: 908-687-5710

TITLE: RECEPTACLE STRIP, VERY LOW PROFILE,
 DUAL ROW, SURFACE MOUNT

SIZE: X PART NO.: RSVL-2A-XX-G-SMT
 SCALE: NTS SHEET 1 OF 1

